

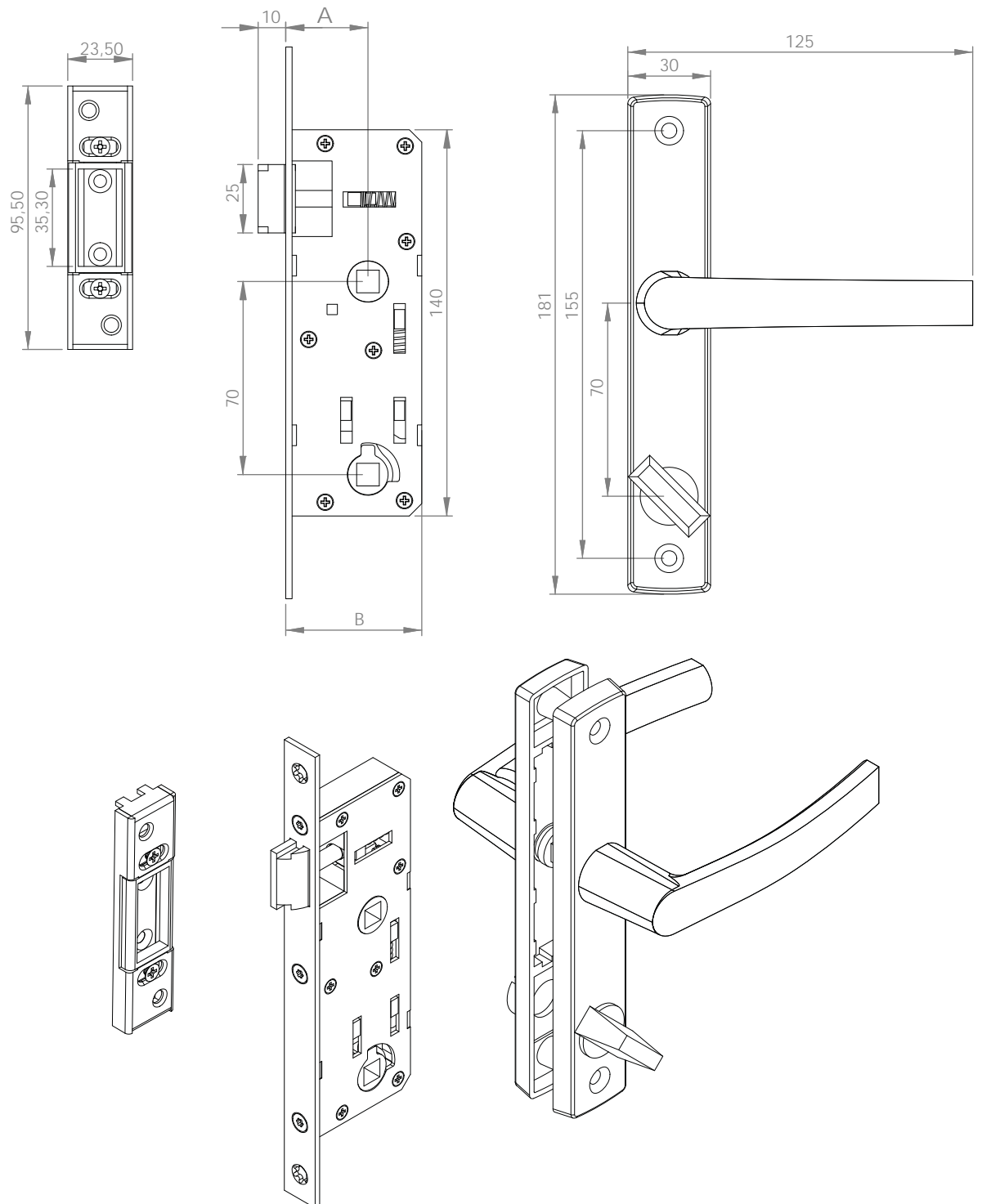




Mortice Locks

- Mini Lock Set



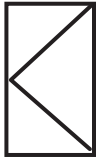
- PZ: 70 mm Backset: 30 / 25 mm



	A	B	Qty. 	Kg
01.KILO04.00.01	25	49,30	20	14,85
01.KILO03.00.01	30	44,30	20	14,85

Tilt And Turn Systems

Available Applications



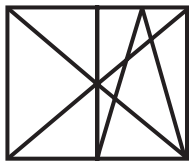
Turn Only



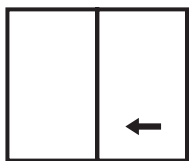
Tilt Only



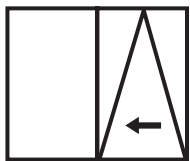
Tilt And Turn



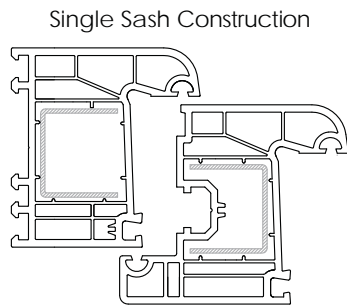
Double Sash
(All Available)



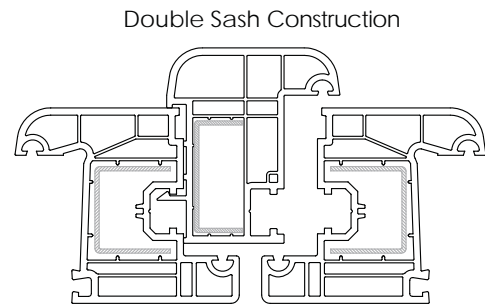
Simple Sliding



Tilt And Slide

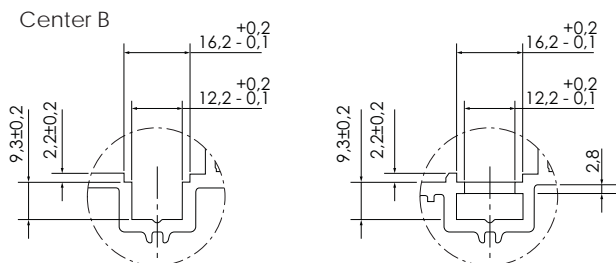
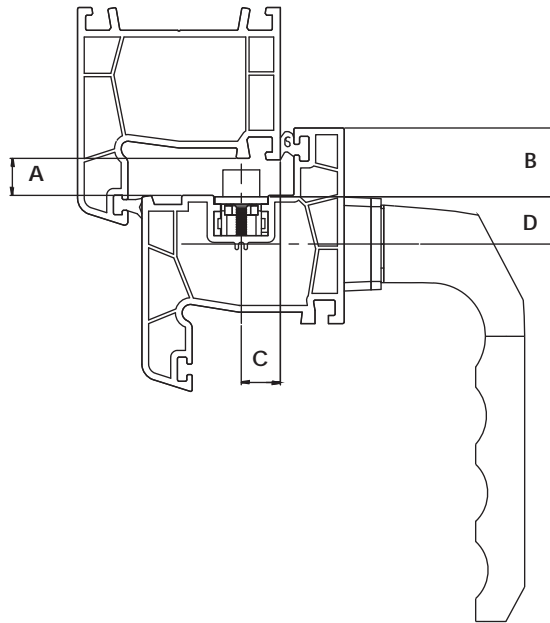


Single Sash Construction

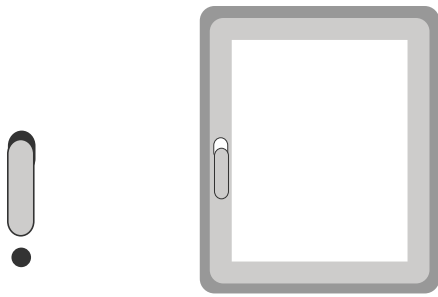


Double Sash Construction

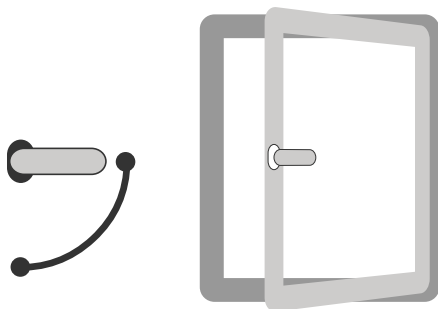
Sash Rebate Gap (A): min. 12 mm
 Sash Overlap (B): 20 mm
 Sash Groove Position (C): 9 mm / 10 mm / 13 mm / 14 mm
 Espagnolette Backset (D): 7,5 mm / 15 mm / 30 mm



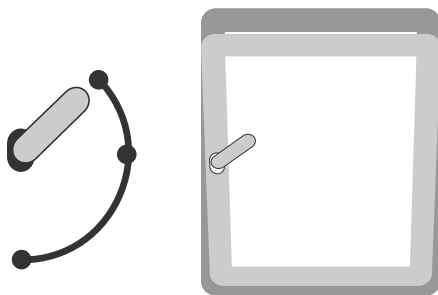
Dimensions for plastic profile according RAL as of February 1998.



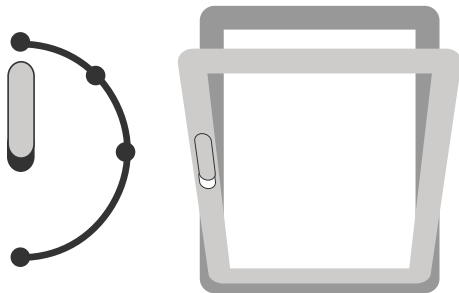
Pos-1: Closed (Locked)



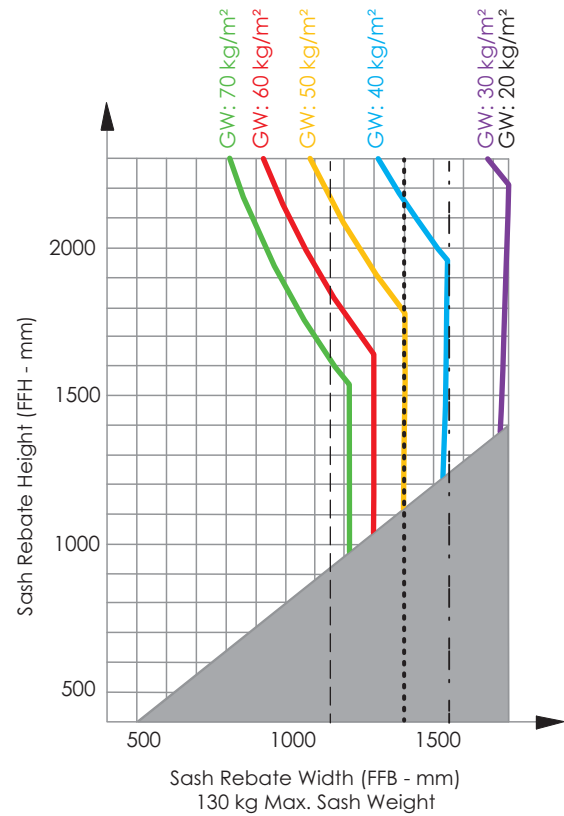
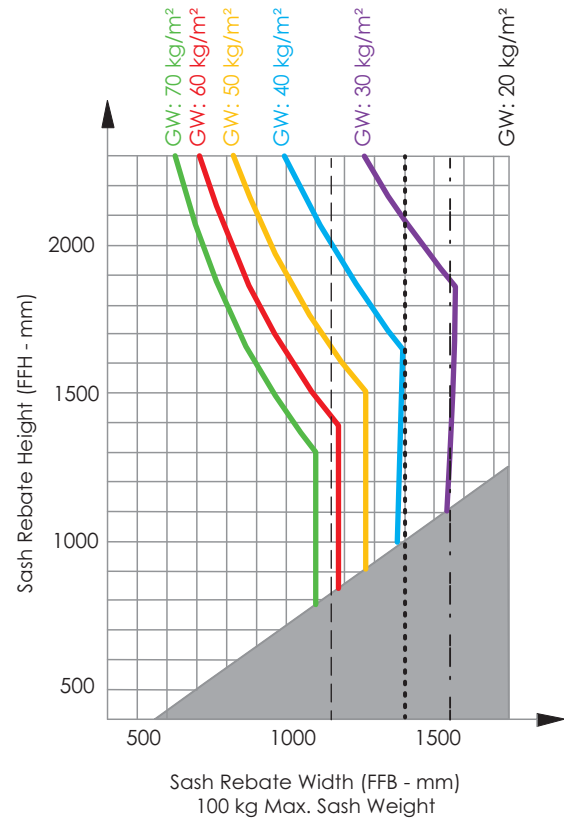
Pos-2: Turn Position



Pos-3: Ventilation Position



Pos-4: Tilt Position



Explanations:

GW: Glass Weight

1mm Thickness Of 1m² Glass Weight Is Considered As 2,5 kg

Max. Sash Rebate Width With Stay Arm (900-1150 mm)

Max. Sash Rebate Width With Stay Arm (900-1150 mm) + 250 mm Extension Gear

Max. Sash Rebate Width With Stay Arm (900-1150 mm) + 400 mm Extension Gear

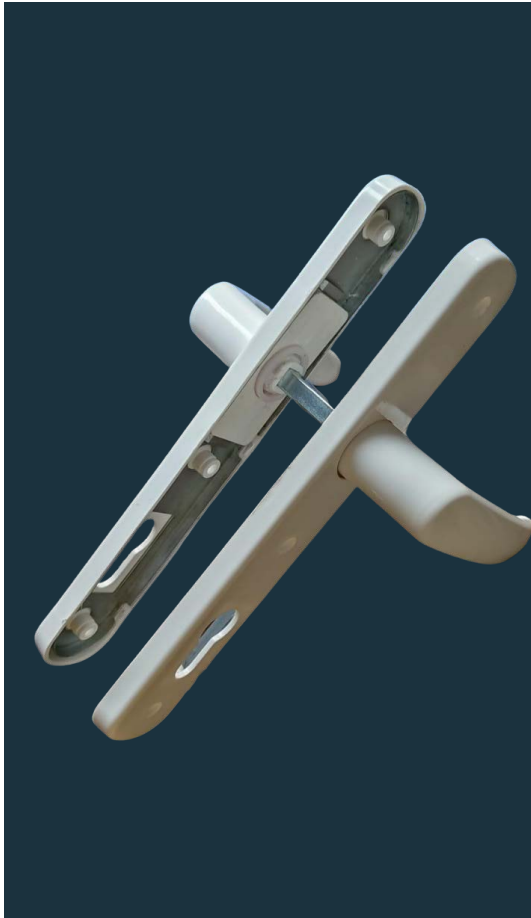
Handles For uPVC



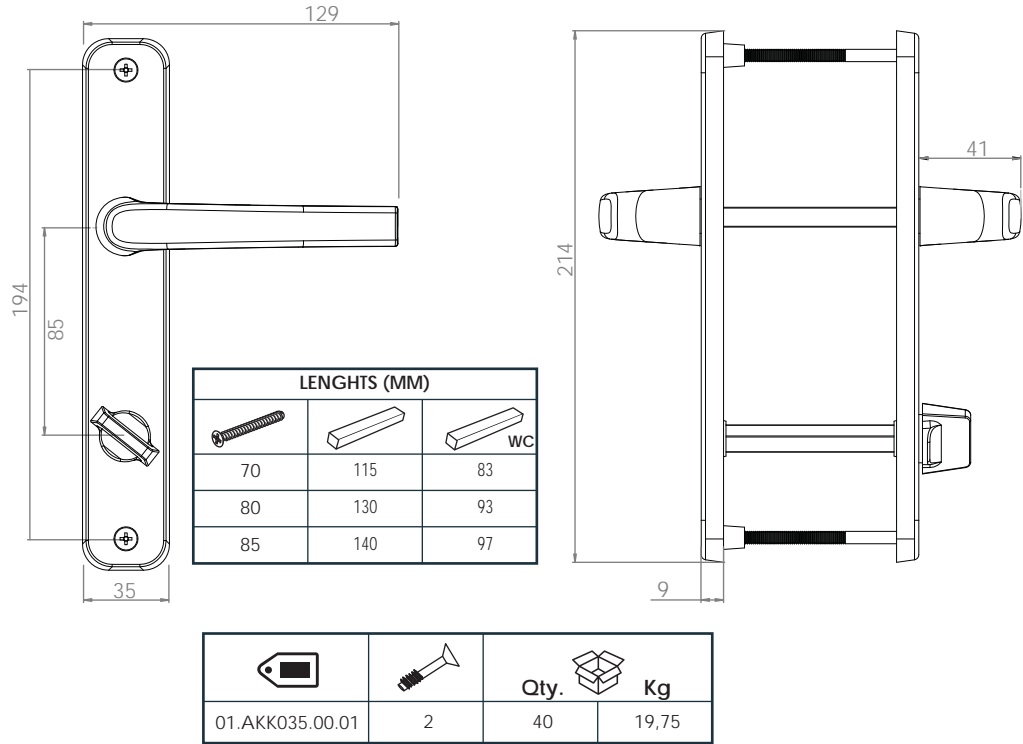


Handles For uPVC

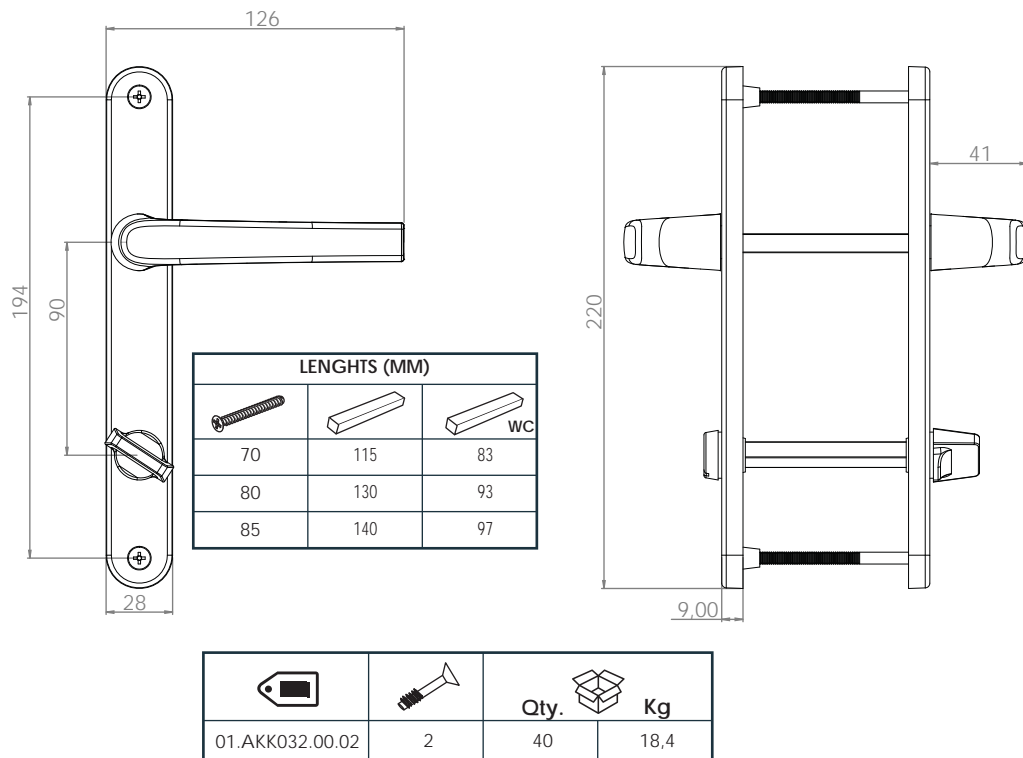
● Plastik Window And Door Handles



- Mnv Plastik Yale Handle PZ: 85 mm
Backset: 35 mm

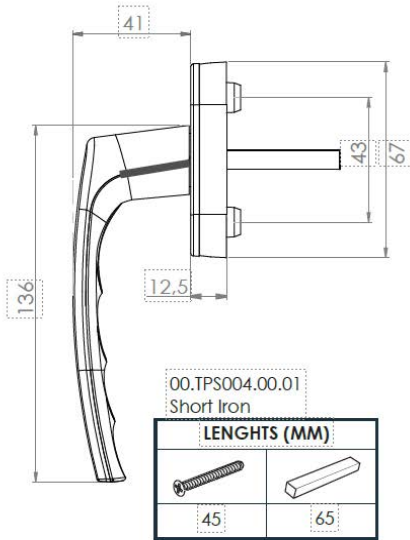
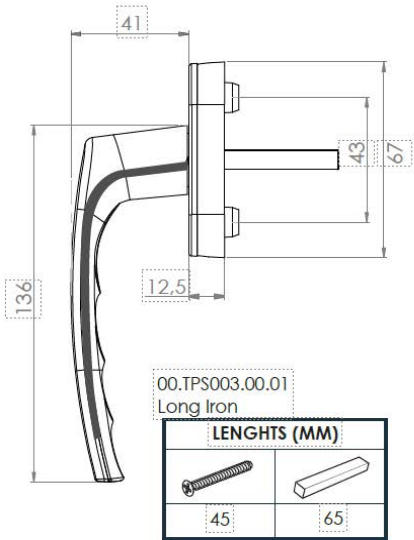


- Mnv Plastik WC Handle PZ: 90 mm
Backset: 28 mm



Mnv Double Side Handle ●

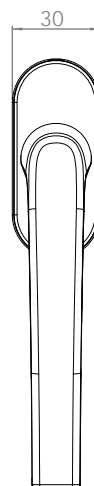
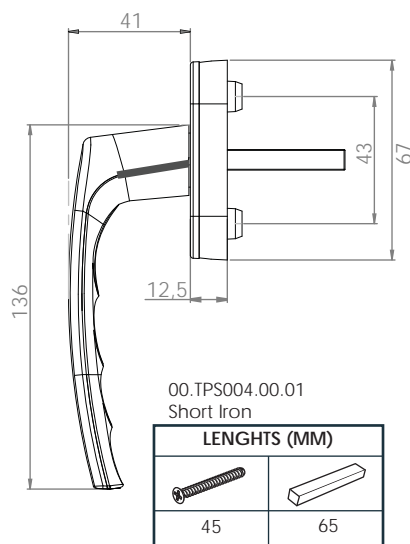
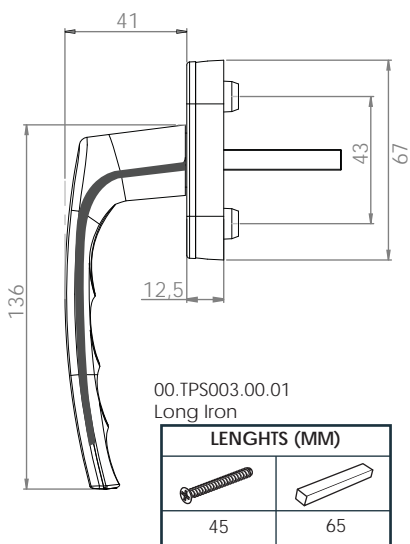
Mnv Plastic Window Handle ●



		Qty.	Kg
01.APK003.00.01	2	30	15,35



Mnv Plastic Window Handle ●

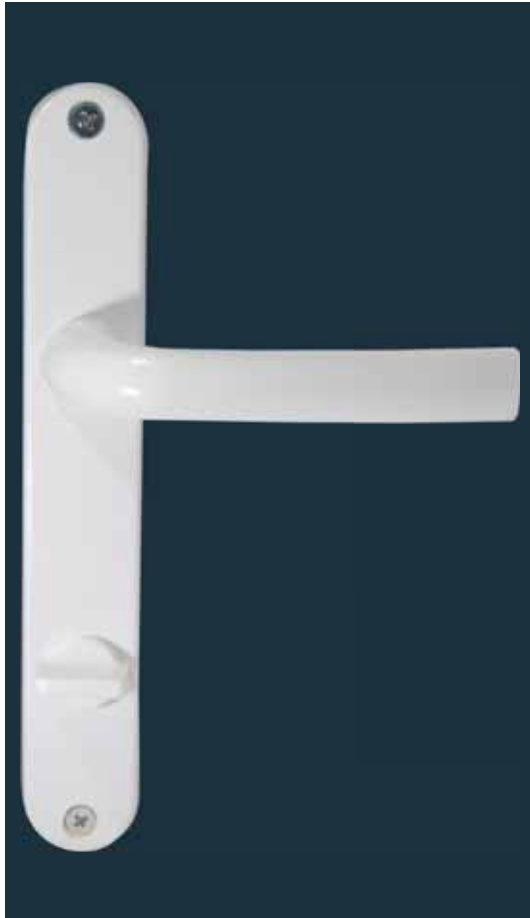


		Qty.	Kg
00.TPS003.00.01	2	200	18,40
00.TPS004.00.01	2	200	13,00

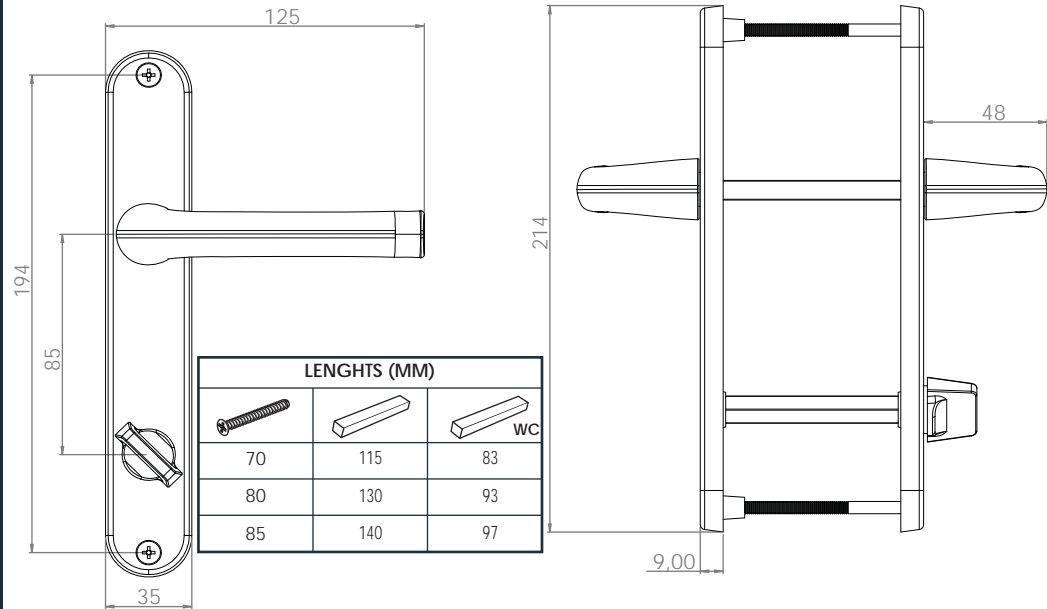


Handles For uPVC

● Mega Window And Door Handles



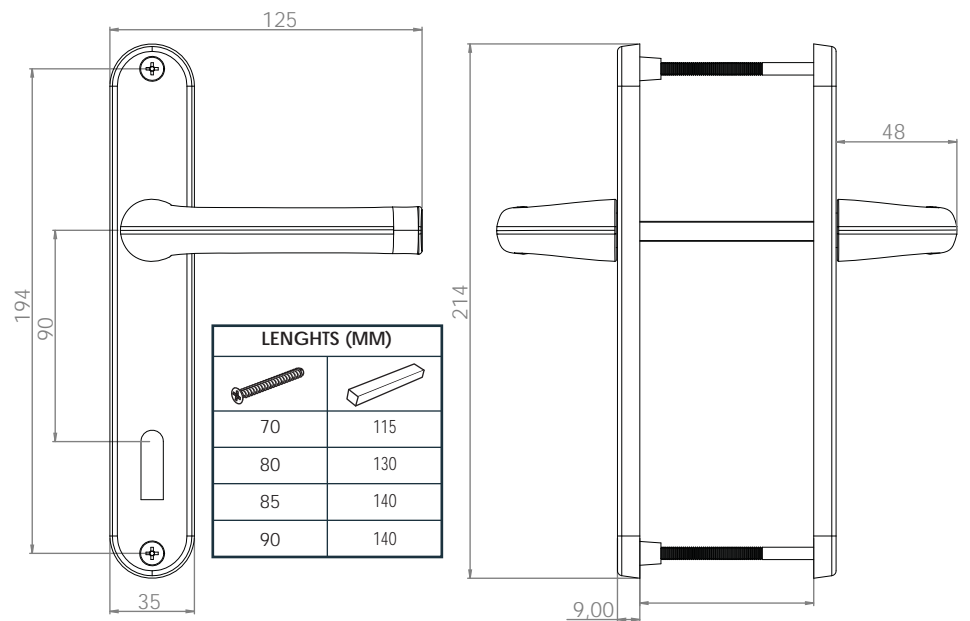
● Mega Aluminium Balcony Handle
PZ: 85 mm Backset: 35 mm



		Qty.	Kg
01.AKK042.00.01	2	40	19,75

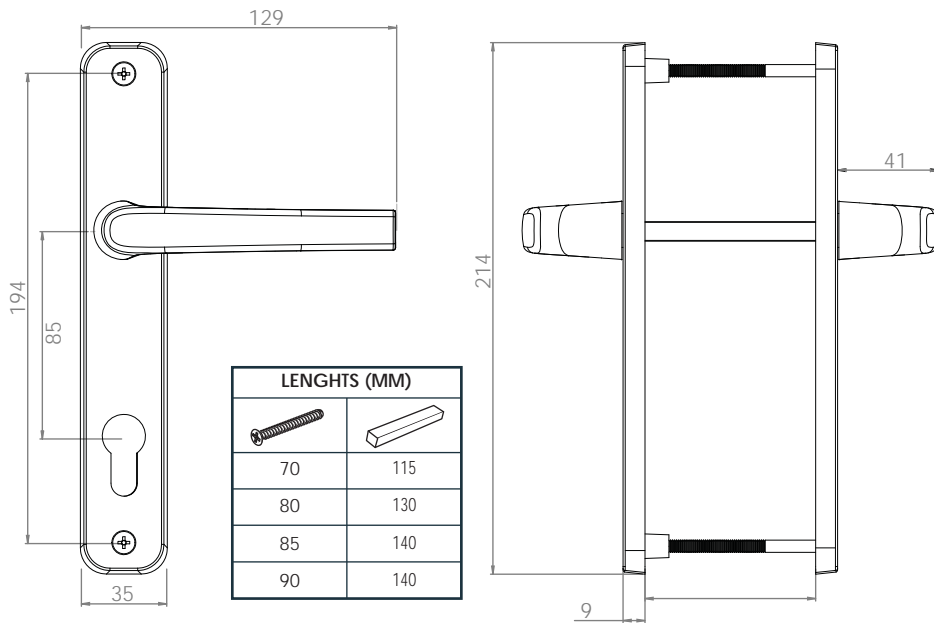


● Mega Aluminium Room Handle
PZ: 90 mm Backset: 35 mm



		Qty.	Kg
01.AKK040.00.01	2	40	18,4

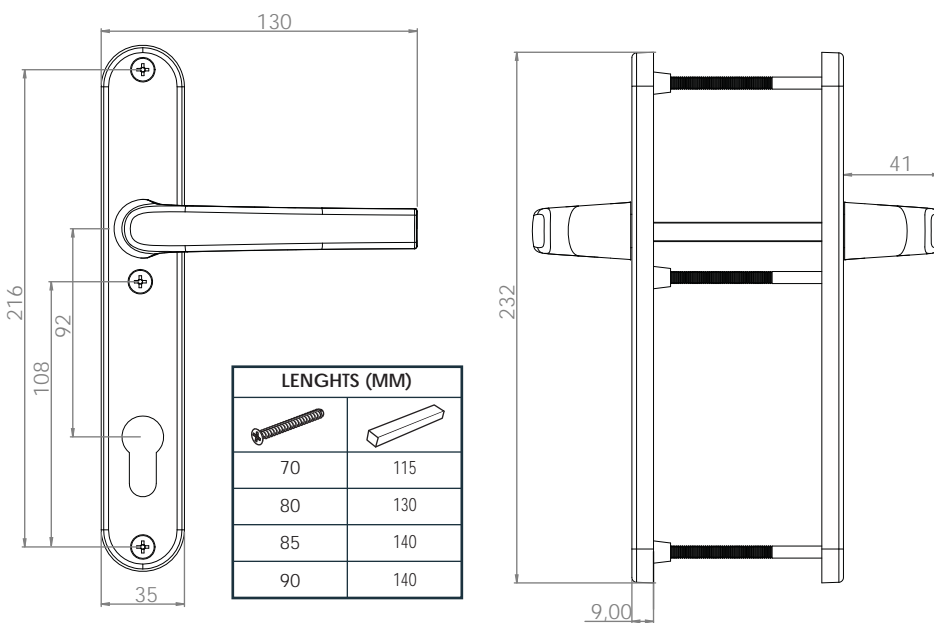
Aluminium Door Handle PZ: 85 mm ●
Backset: 35 mm



Icon	Qty.	Kg
01.AKK013.00.01	2	17,33



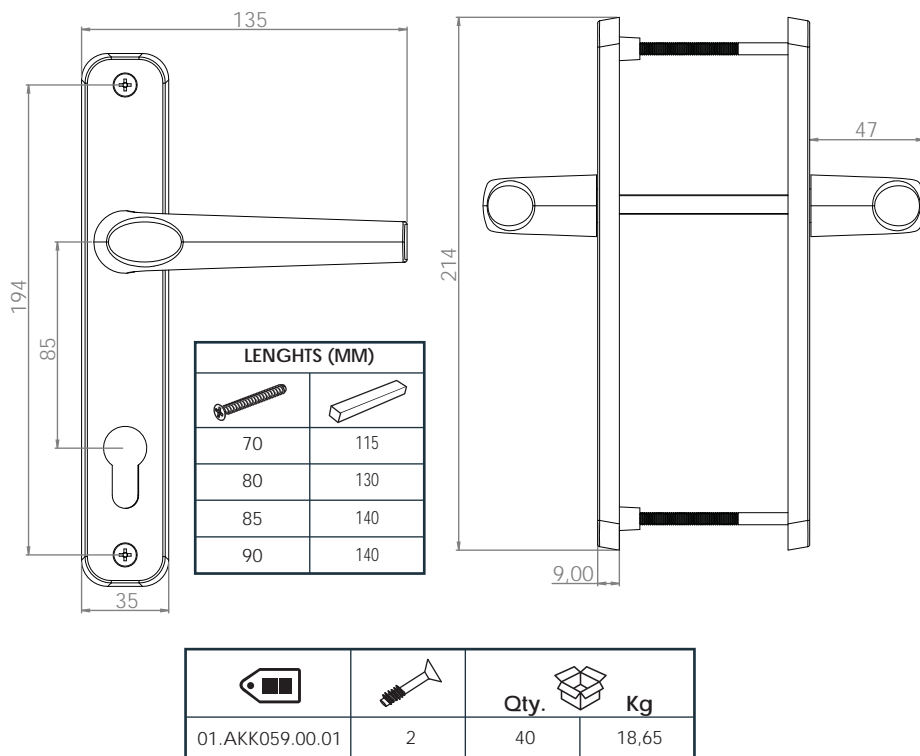
Aluminium Door Handle PZ: 92 mm ●
Backset: 35 mm



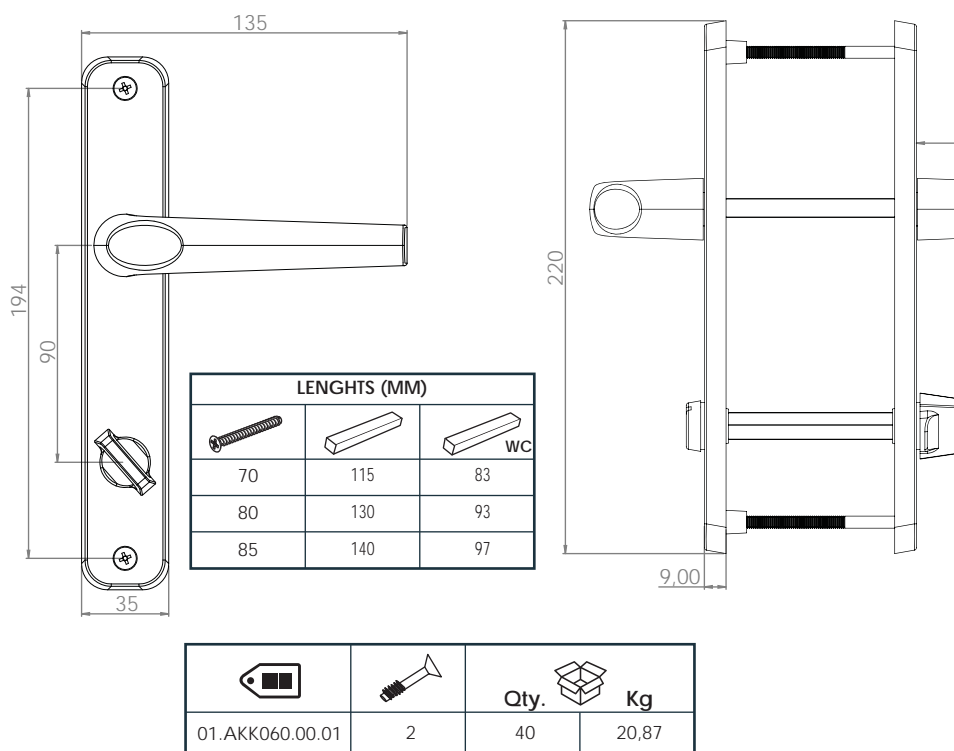
Icon	Qty.	Kg
01.AKK039.00.01	3	17,77



Ikon Aluminium Door Handle ●
PZ: 85 mm Backset: 35 mm



Ikon Aluminium WC Handle ●
PZ: 90 mm Backset: 35 mm

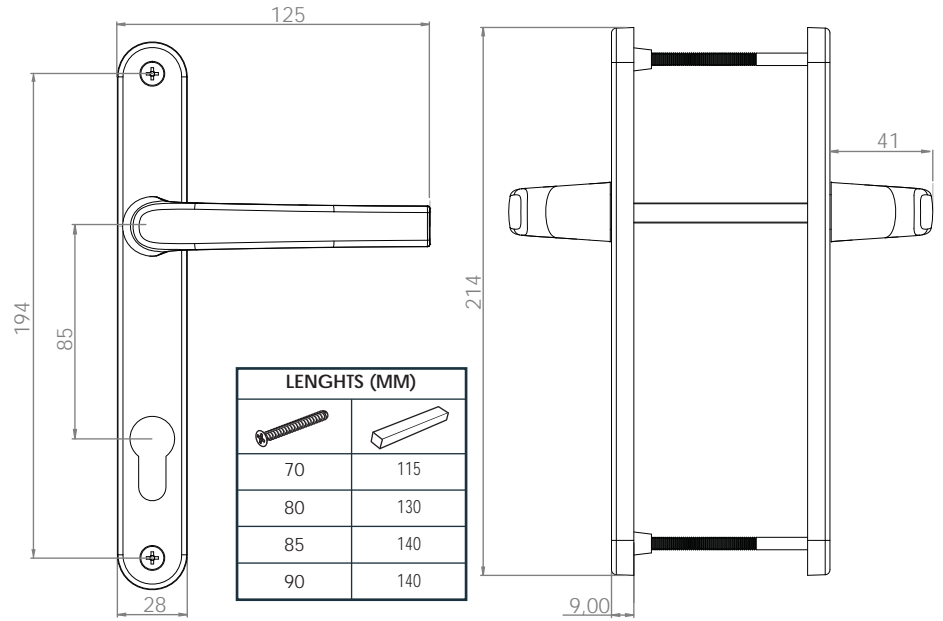





Handles For uPVC

Window And Door Handles



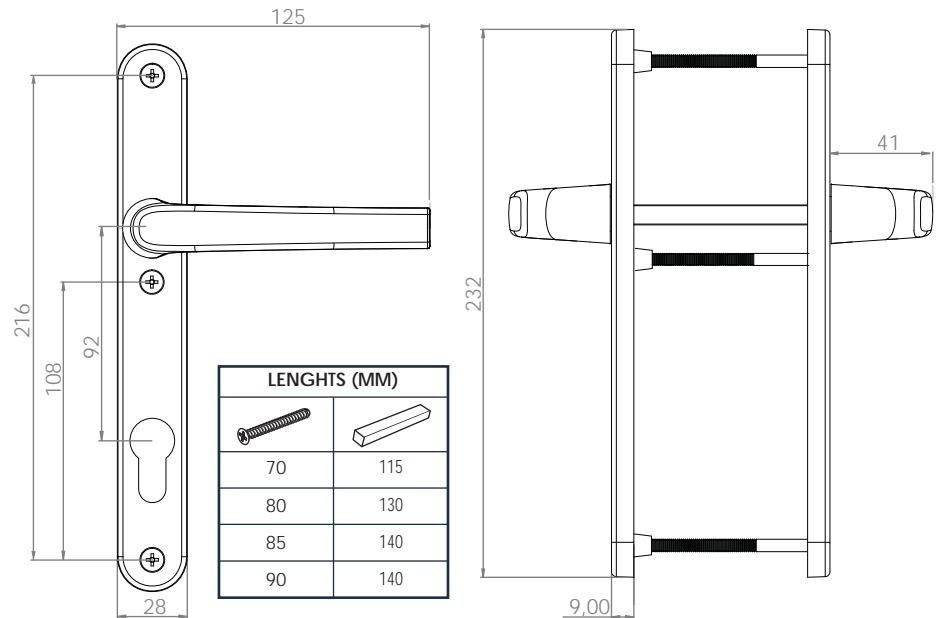
- Aluminium Door Handle PZ: 85 mm Backset: 28 mm






		Qty. 	Kg
01.AKK031.00.01	2	40	16,3

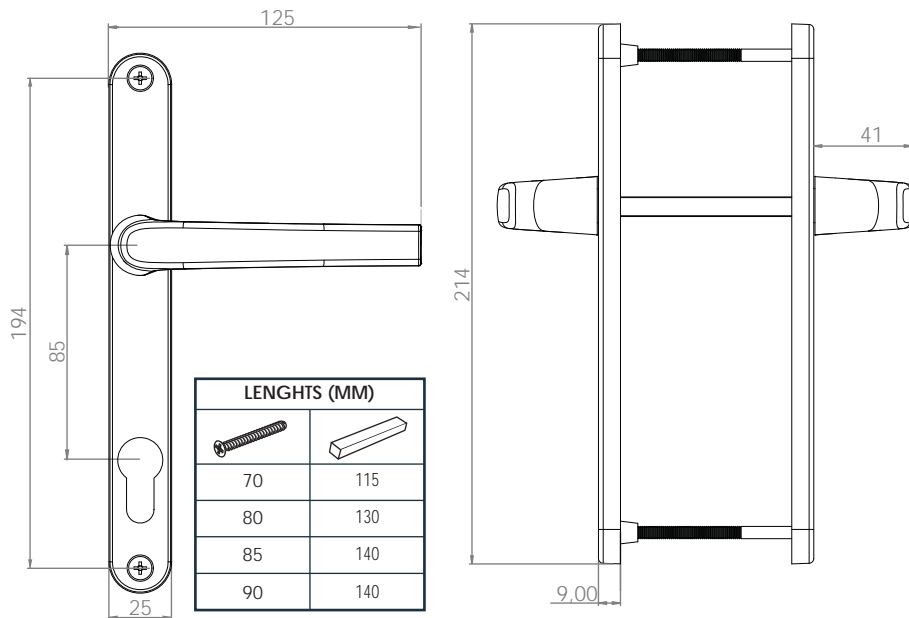


- Aluminium Door Handle PZ: 92 mm Backset: 28 mm



		Qty. 	Kg
01.AKK038.00.01	2	40	147,25

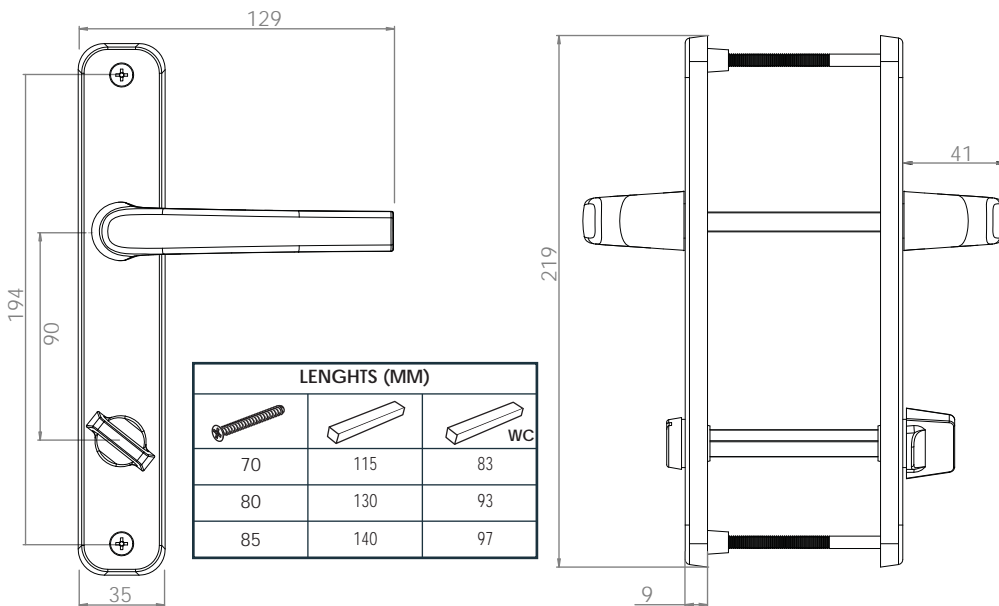
Aluminium Door Handle PZ: 85 ●
mm Backset: 25 mm



		Qty.	Kg
01.AKK055.00.01	2	40	15,75



Aluminium WC Handle PZ: 90 ●
mm Backset: 35 mm



		Qty.	Kg
01.AKK014.01.01	3	40	19,50

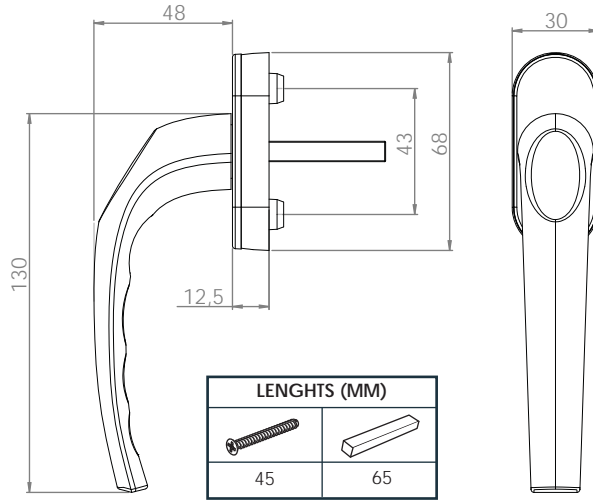





Handles For uPVC

● Ikon Window And Door Handles



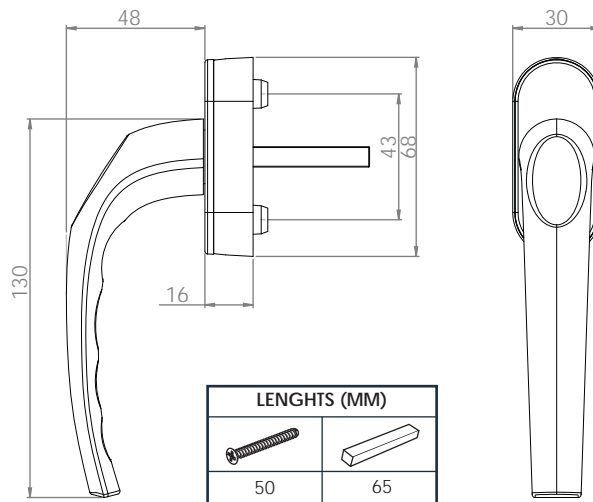
● Ikon Aluminium Window Handle


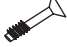



		Qty. 	Kg
01.APK011.01.01	2	100	16,20



● Ikon Aluminium Acoustic Window Handle

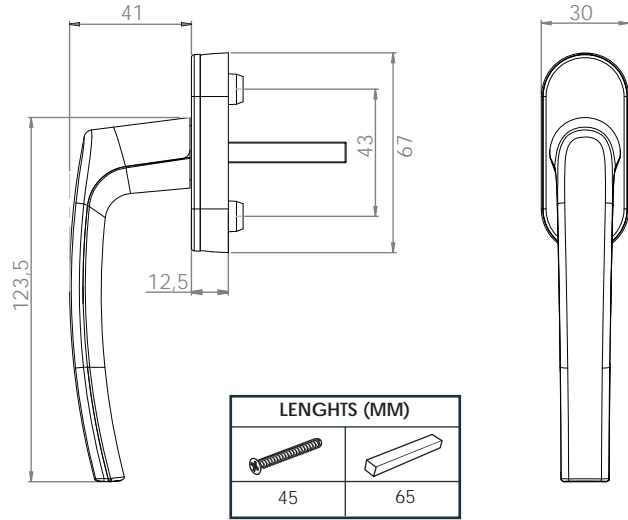




		Qty. 	Kg
01.APK012.01.01	2	100	16,30

Handles For uPVC

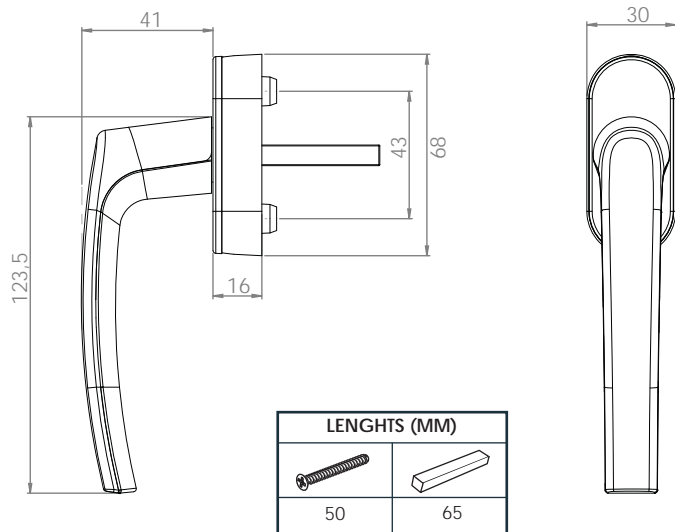
Window And Door Handles



Aluminium Window Handle



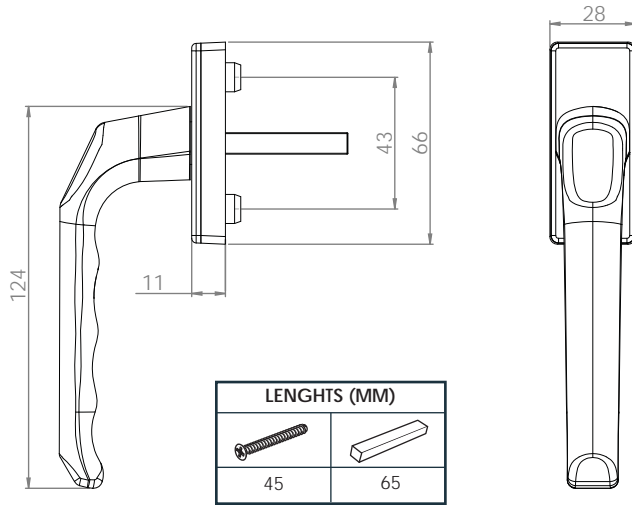
		Qty. 	Kg
01.APK006.01.01	2	100	14,05

Aluminium Acoustic Window Handle



		Qty. 	Kg
01.APK018.01.01	2	100	16,25

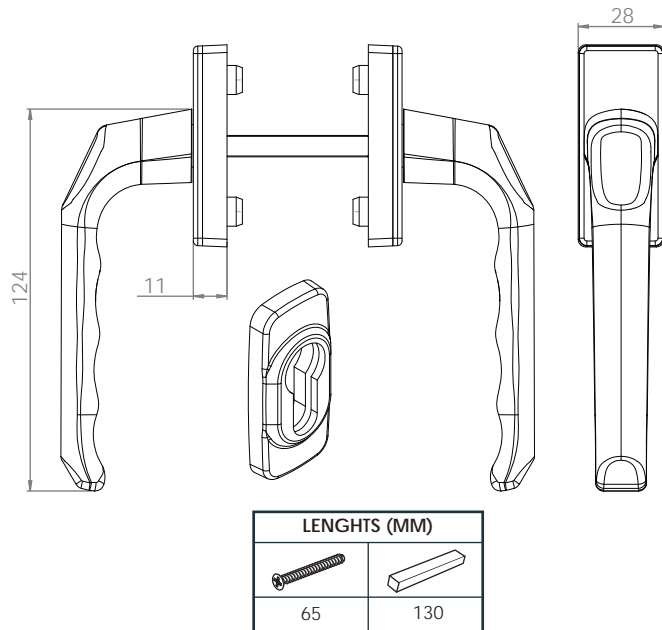
Pinar Aluminium Window Handle



		Qty.		Kg
01.APK005.01.01	2	100		14,59



Pinar Aluminium Door Handle



		Qty.		Kg
01.APK007.01.01	100	40		29,18

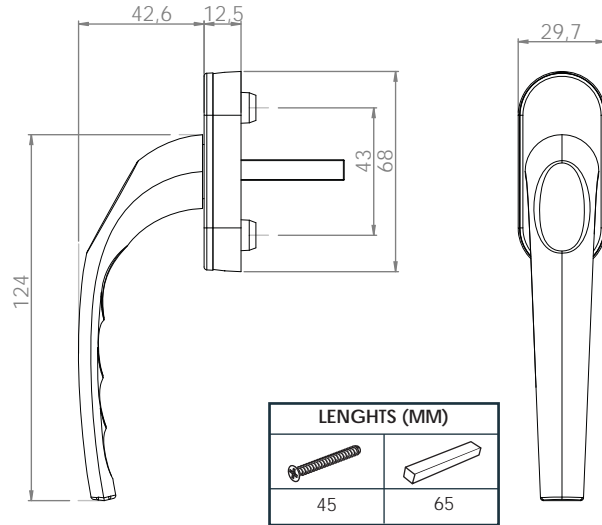


Handles For uPVC

● Bosna Window And Door Handles



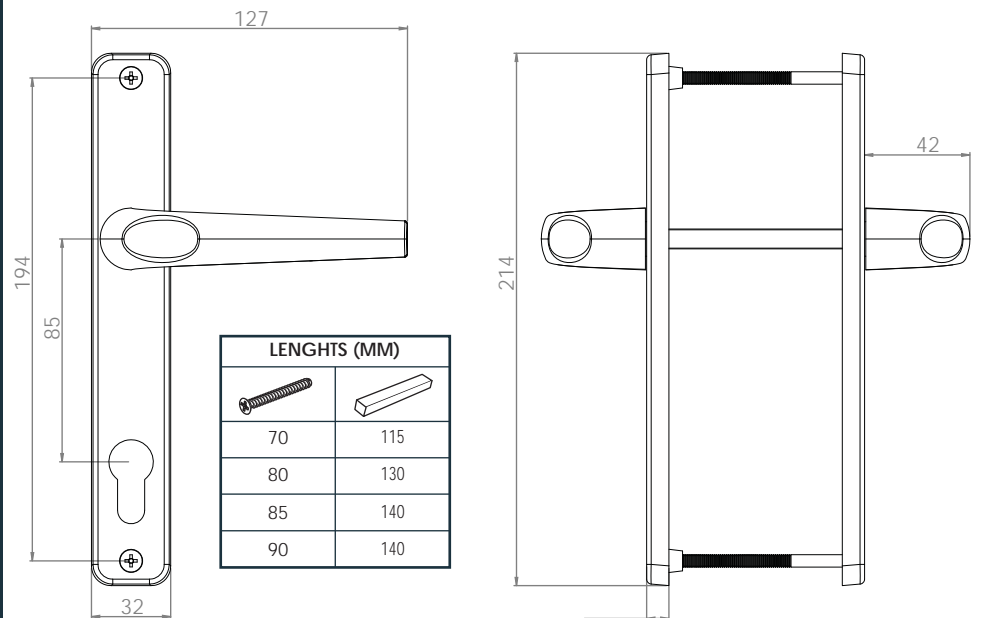
● Bosna Aluminium Window Handle



		Qty.	Kg
01.APK013.01.01	2	100	12,30

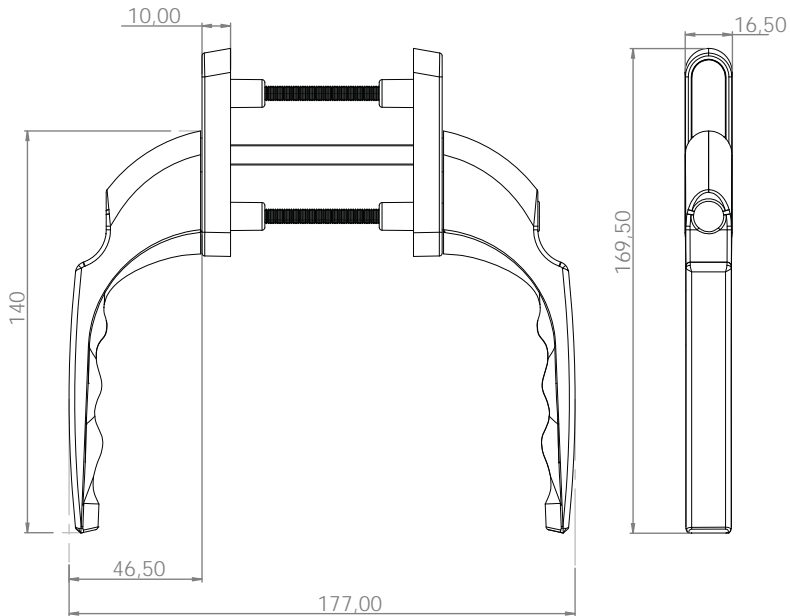


● Bosna Aluminium Door Handle
PZ: 85 mm Backset: 32 mm



		Qty.	Kg
01.AKK061.00.01	2	40	11,56

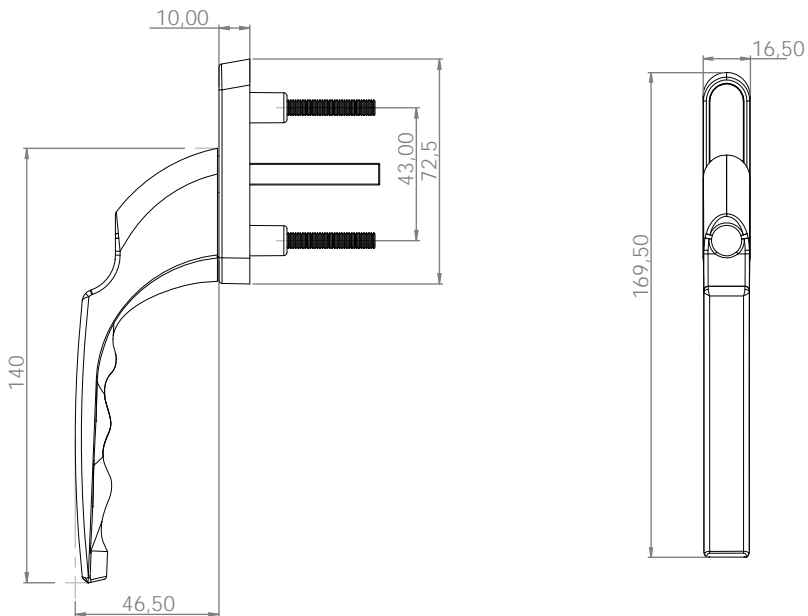
Double Side Outward Opening Handle ●





		Qty. 	Kg
01.AAA008.00.01	2	20	5,47



Outward Opening Window Handle ●



		Qty. 	Kg
01.AAA005.00.01	2	40	6

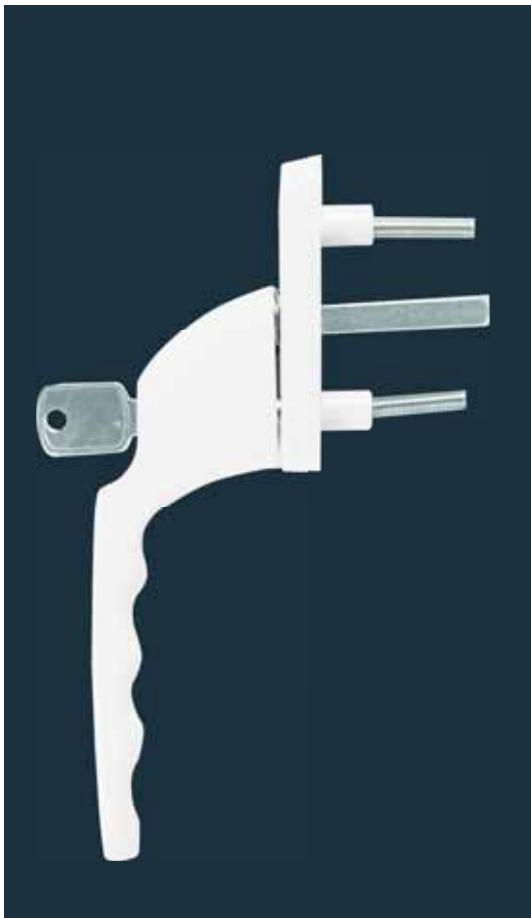
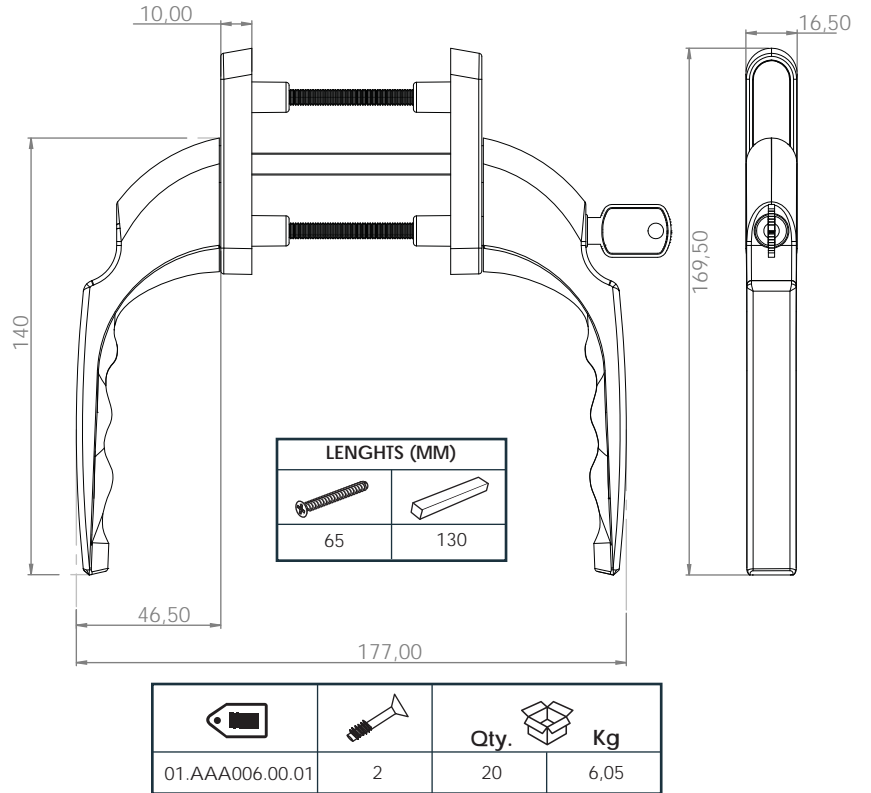


Handles For uPVC

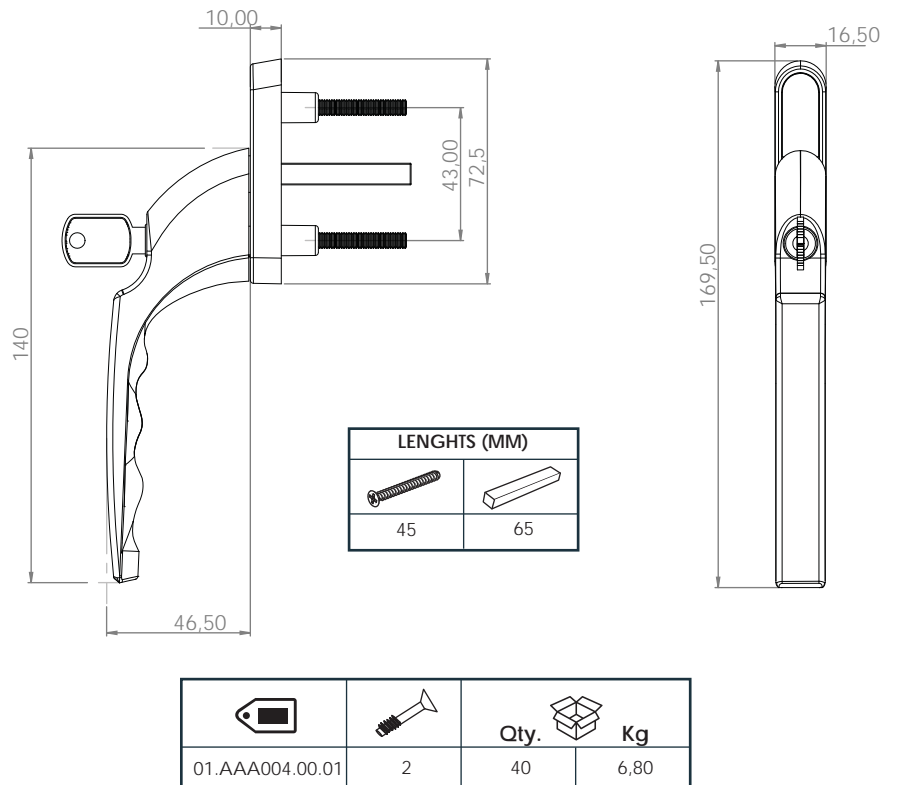
● Outward Opening Handles



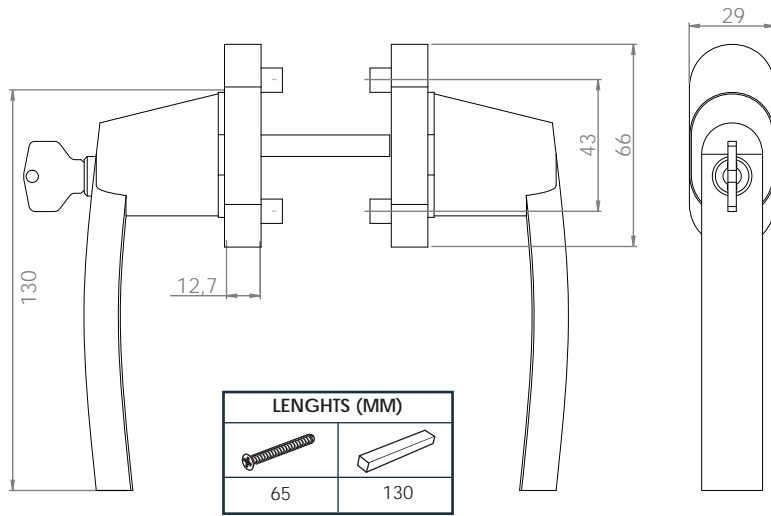
● Lockable Double Side Outward Opening Handle



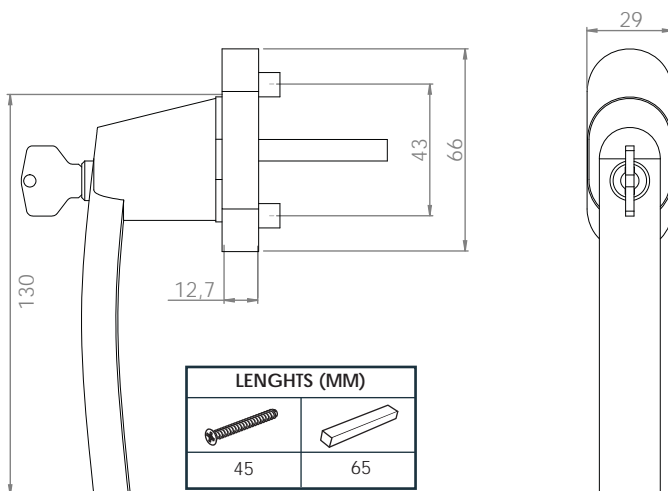
● Lockable Outward Opening Handle



Lockable Double Side Handle (Lux)



Lockable Handle (Lux)

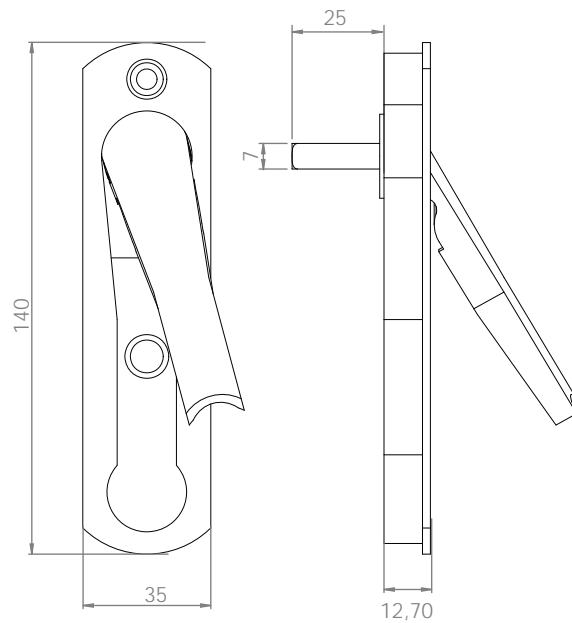





Handles For uPVC

● Pop-Up Handles



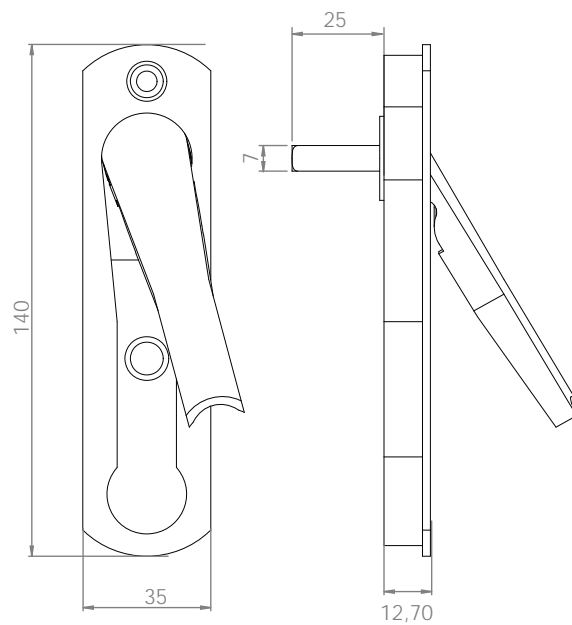
● Pop-Up Handle Steel






		Qty. 	Kg
00.TSA033.00.01	2	50	9,60

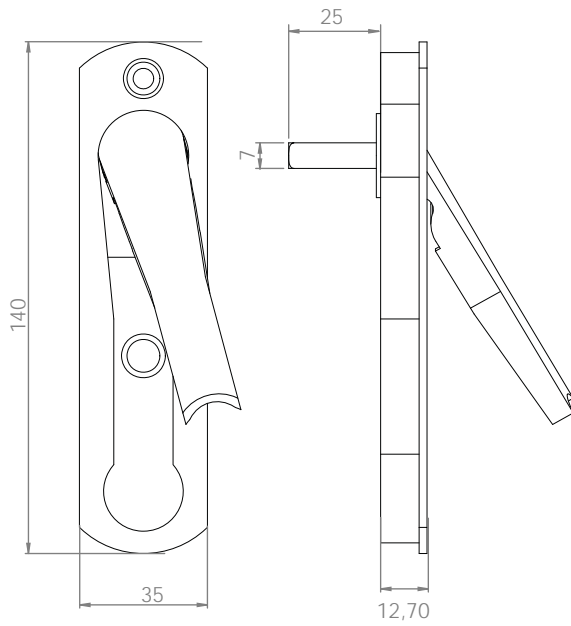





● Pop-Up Handle Zinc



		Qty. 	Kg
00.TSA016.00.00	2	50	9,40

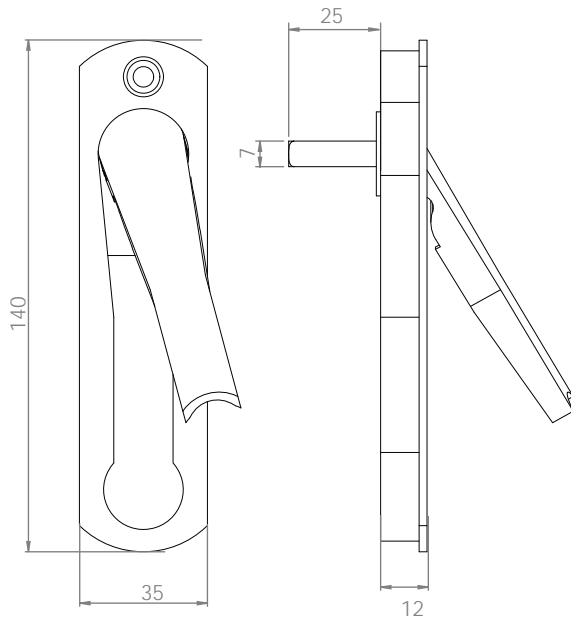
Pop-Up Handle Aluminium ●






		Qty. 	Kg
00.TSA030.00.00	2	50	5,20



Pop-Up Handle Plastic ●



		Qty. 	Kg
00.TSA042.00.00	2	50	-

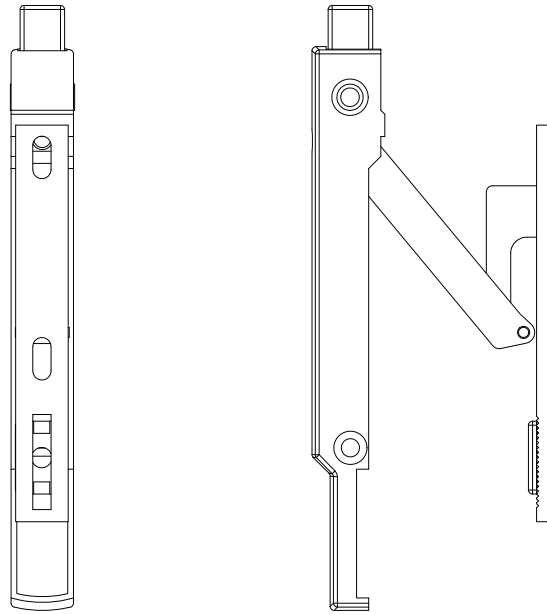


Safety Latches

- Safety Latches



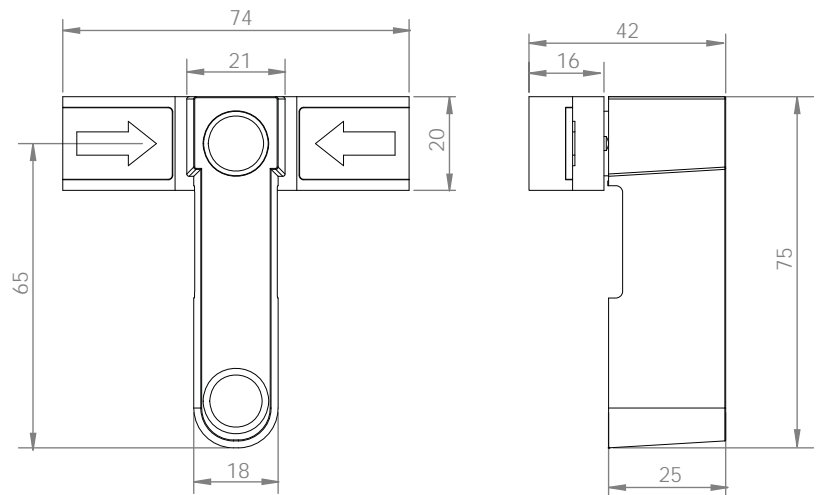
- Safety Ventilation Latch






		Qty. 	Kg
00.EMN006.00.01	5	50	8,40

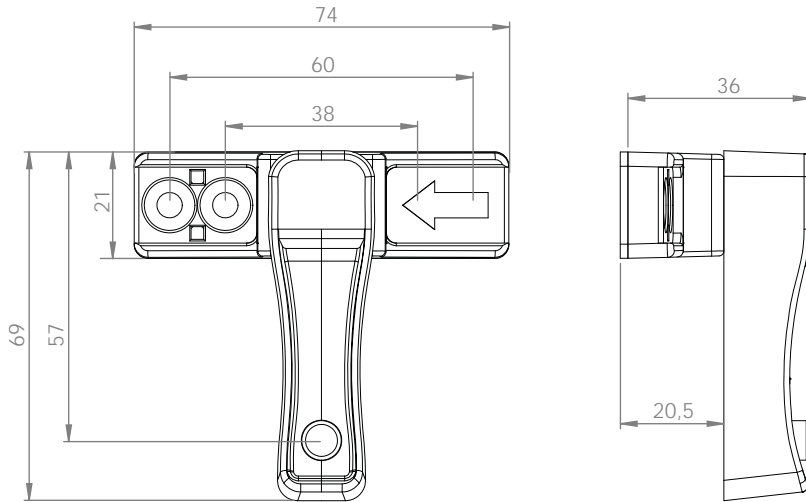




- Safety Latch



		Qty. 	Kg
00.EMN003.00.01	4	50	10

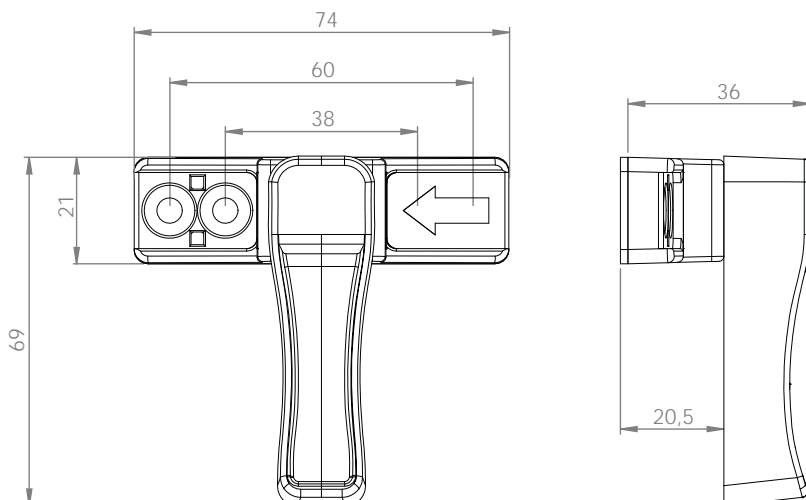
Lockable Safety Latch



		Qty. 	Kg
00.EMN004.00.01	4	50	7



Safety Latch



		Qty. 	Kg
00.EMN005.00.01	4	50	6,48

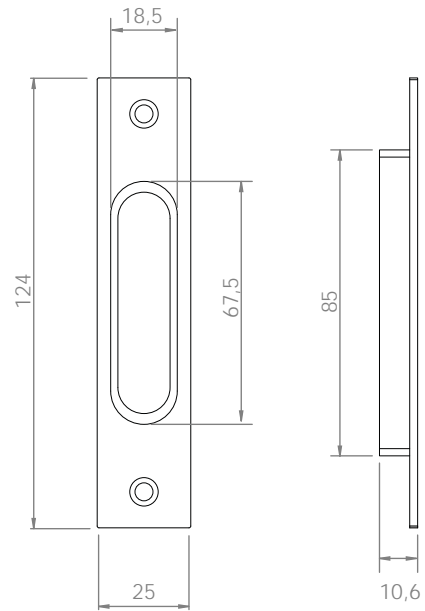





Handles For uPVC

Other Handles



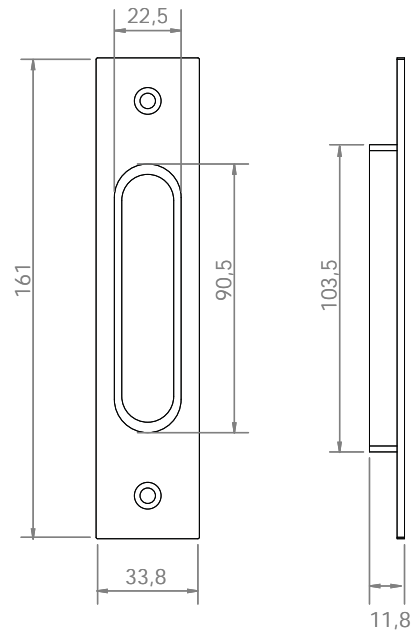
● Sliding Handle (POOL) Inlaid Small






		Qty. 	Kg
00.TSA024.00.00	2	200	6,15



● Sliding Handle (POOL) Inlaid Big



		Qty. 	Kg
00.TSA025.00.00	2	100	6,2

Hinges For uPVC

- Zinc 3D Adjustable Door Hinge

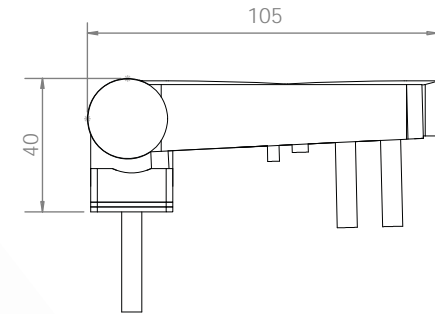





Hinges For uPVC

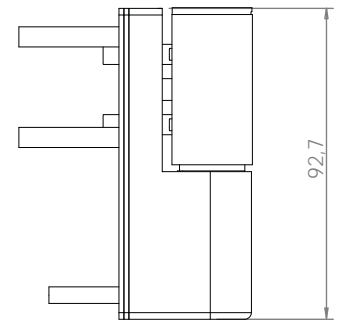
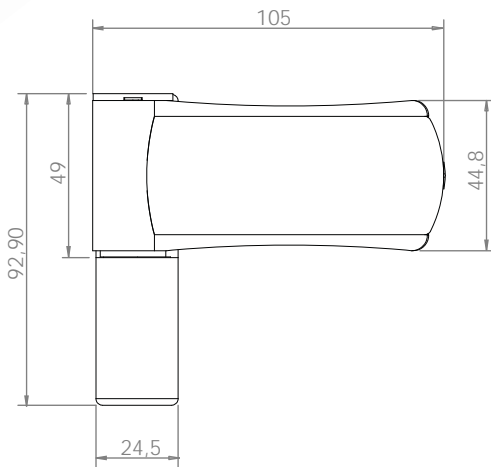
● 3D Adjustable Door Hinges



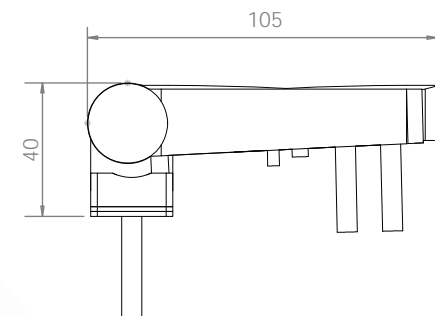
● Zinc 3D Adjustable Door Hinge



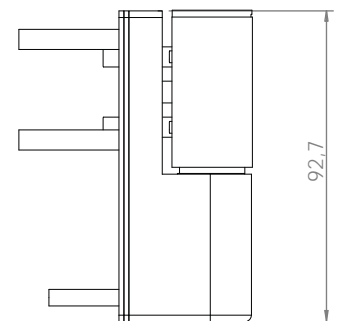
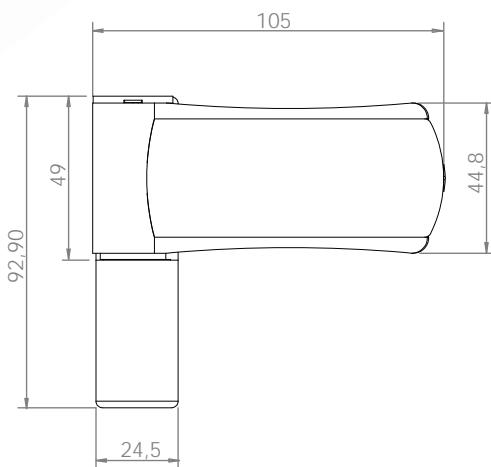
		Qty. 	Kg
01.AKM110.00.01	8	24	15,6



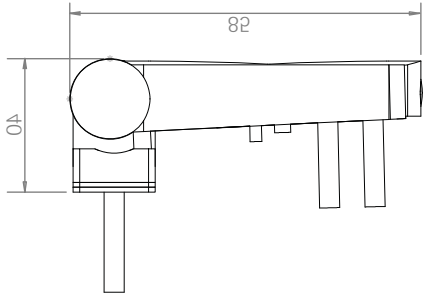
● Aluminium 3D Adjustable Door Hinge



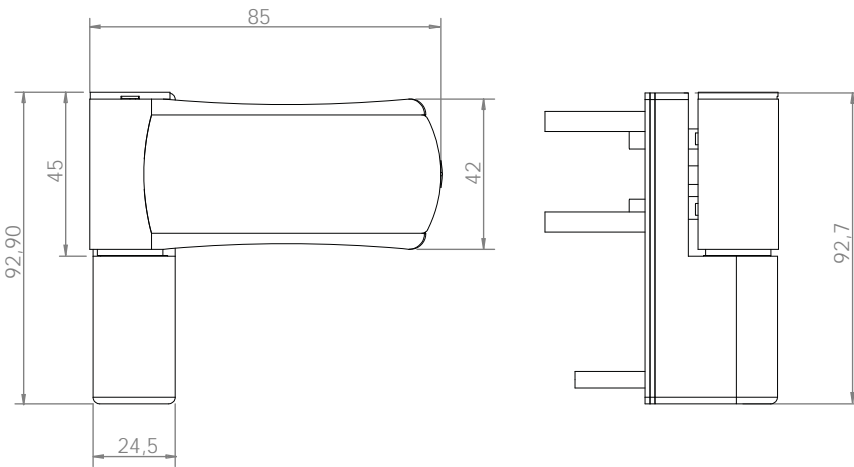
		Qty. 	Kg
01.AKM111.00.01	8	24	10,5



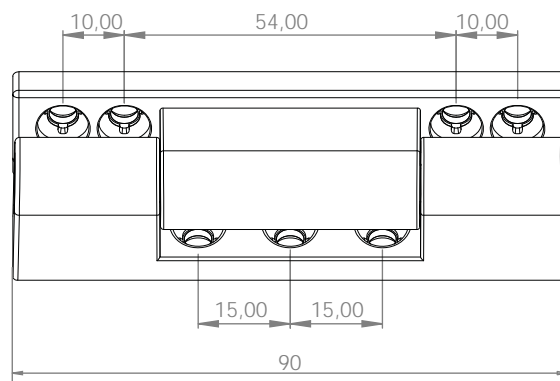
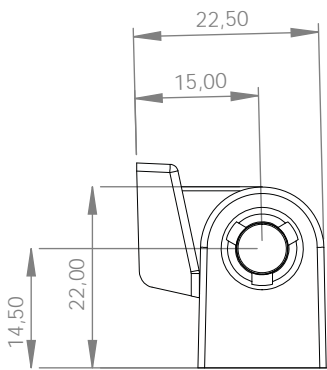
Small Zinc 3D Adjustable Door Hinge ●



		Qty.	Kg
01.AKM090.00.01	8	24	10,55



Plastic Covered Metal Hinge 90 mm ●



		Qty.	Kg
01.MNP090.00.01	7	200	-

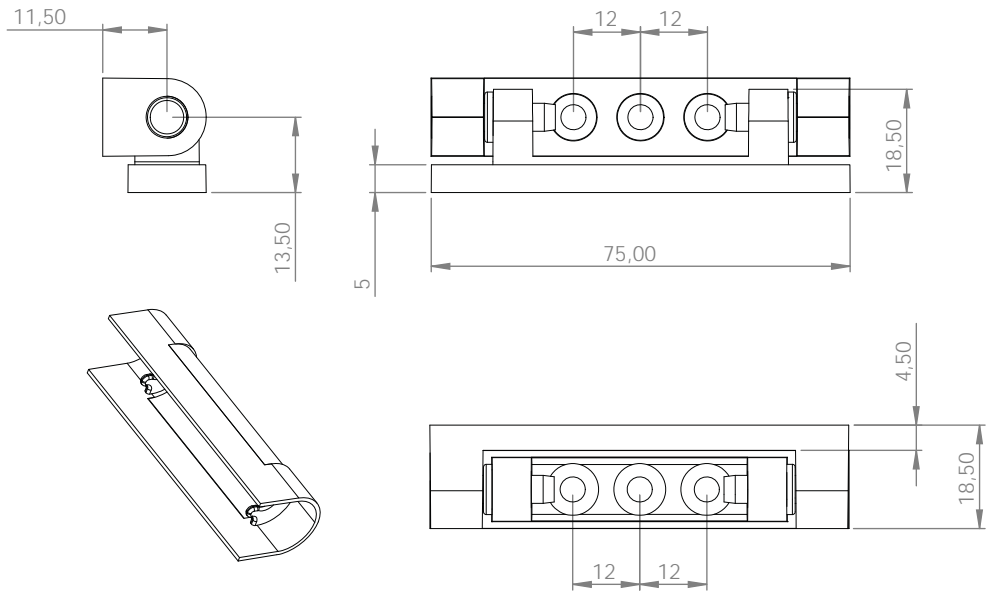





Hinges For uPVC

Window And Door Hinges



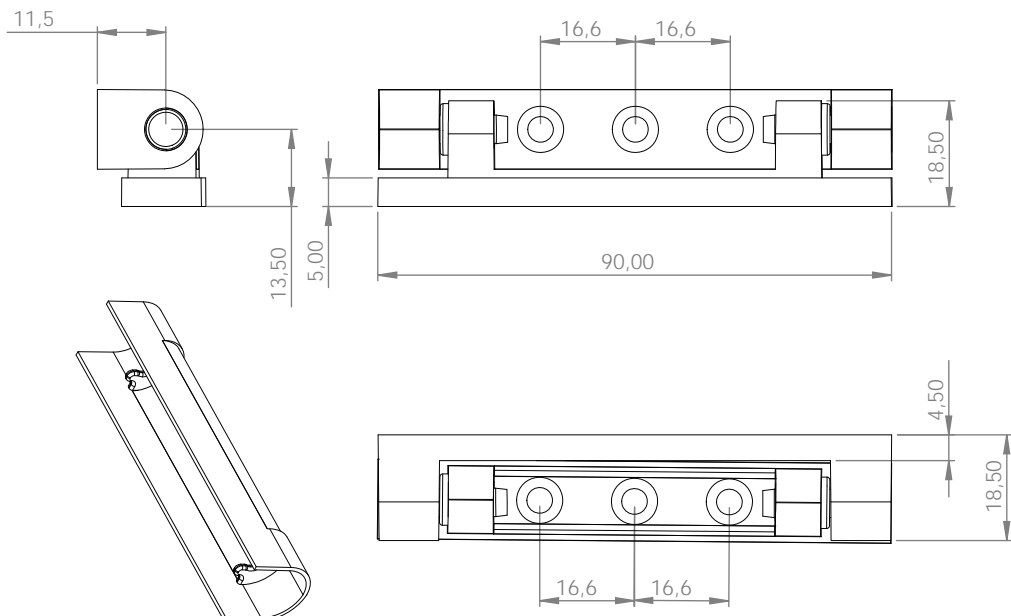
● Aluminium Speedy Hinge 75 mm






		Qty. 	Kg
01.MNH075.00.01	6	200	8.80

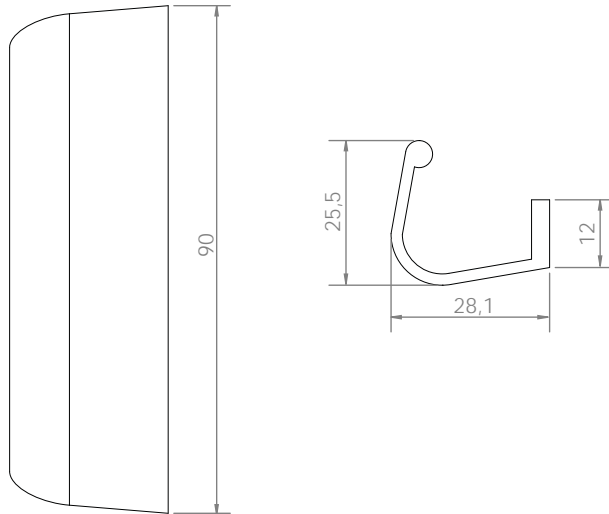





● Aluminium Speedy Hinge 90 mm



		Qty. 	Kg
01.MNH090.00.01	6	200	10.48

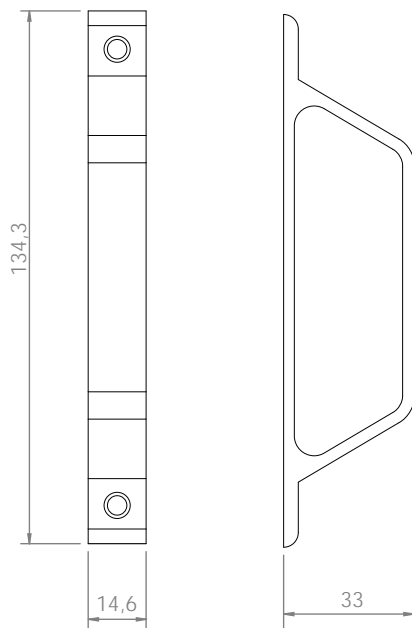
Sliding Handle C Type ●






		Qty. 	Kg
00.TSA013.00.00	2	250	7,65



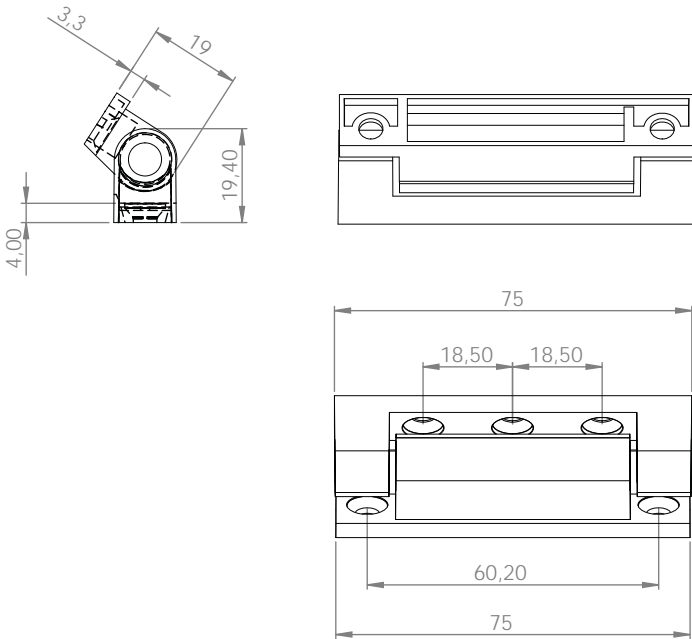
Sliding Handle D Type ●



		Qty. 	Kg
00.TSA023.00.00	2	250	9,50



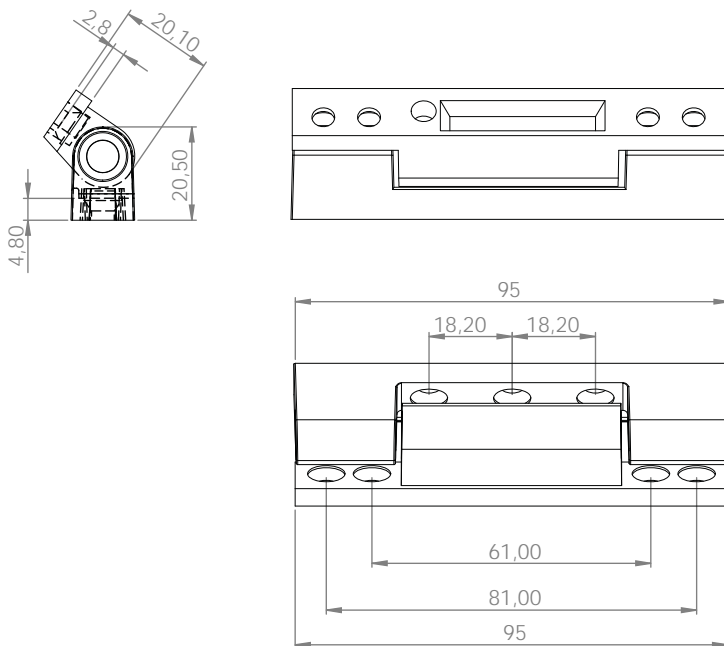
Aluminium Window Hinge 75 mm ●





		Qty. 	Kg
01.MNA075.00.01	5	200	11,20



Aluminium Door Hinge 95 mm ●



		Qty. 	Kg
01.MNA095.00.01	7	200	15,36

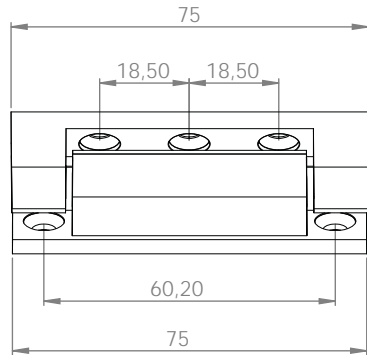
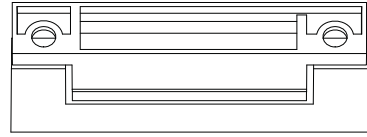
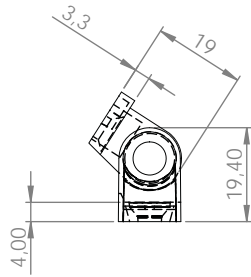


Hinges For uPVC

Window And Door Hinges



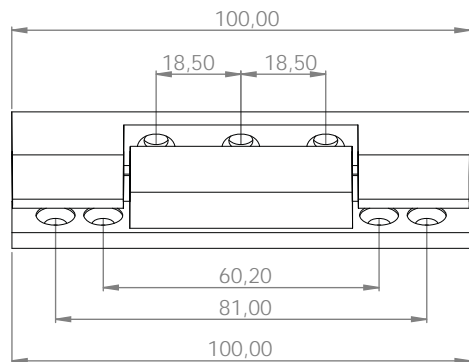
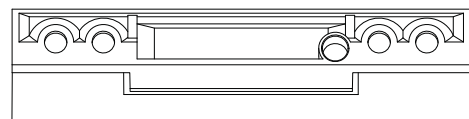
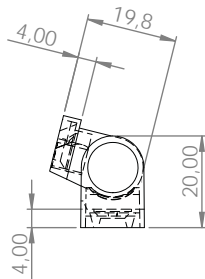
● Zinc Window Hinge 75 mm



		Qty.	Kg
ZM009	5	150	12,82

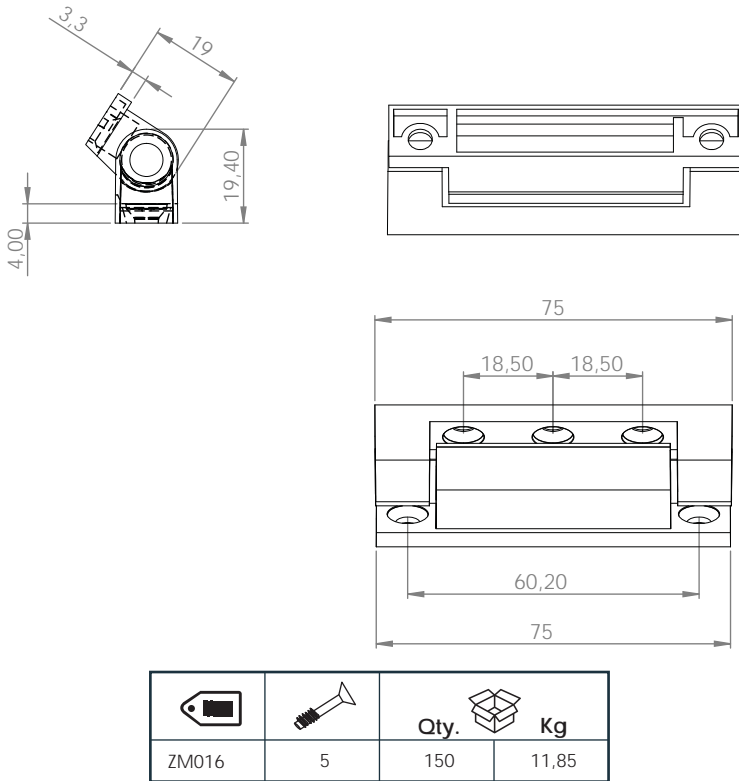


● Zinc Door Hinge 100 mm

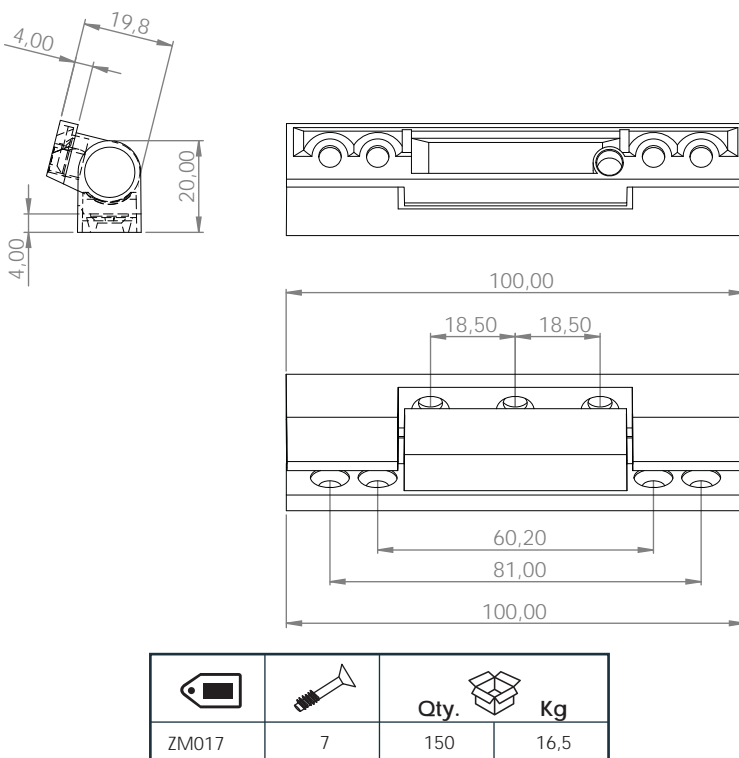


		Qty.	Kg
ZM010	7	150	17,7

Zinc Window Hinge 75 mm / Economic ●



Zinc Door Hinge 100 mm / Economic ●

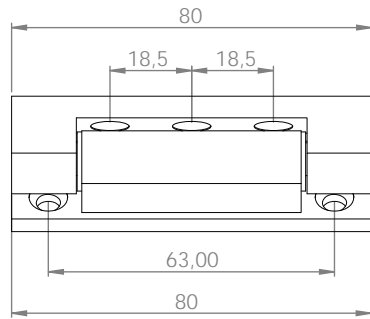
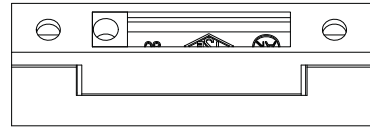
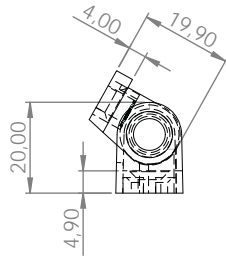


Hinges For uPVC

Window And Door Hinges



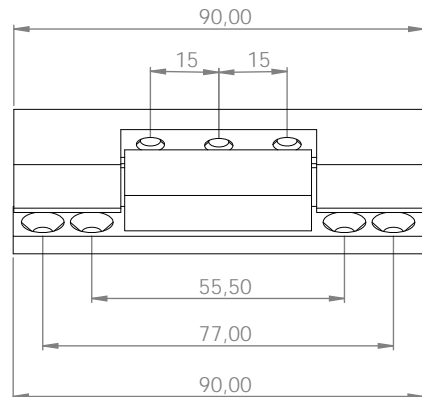
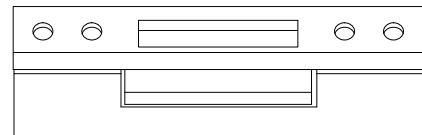
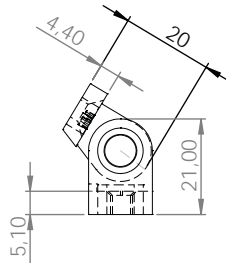
● Zinc Window Hinge 80 mm



		Qty.	Kg
ZM003	5	150	15,22

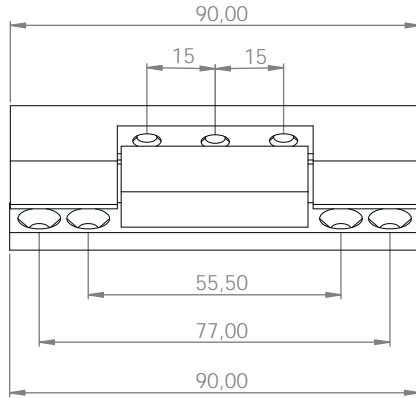
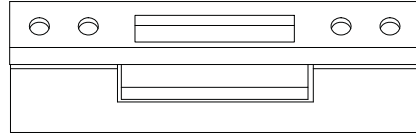
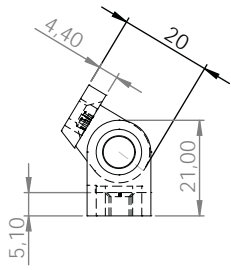


● Zinc Door Hinge 90 mm



		Qty.	Kg
ZM004	7	150	17,75

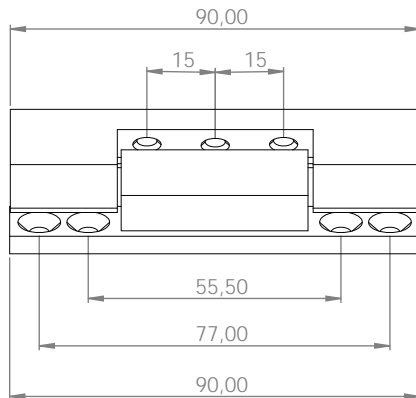
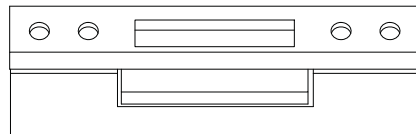
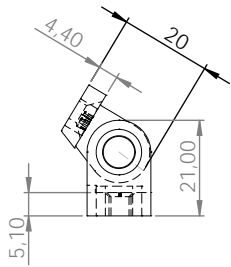
Zinc Door Hinge 90 mm For Firatpen ●



		Qty.		Kg
ZM014	7	150		17,75



Zinc Door Hinge 90 mm For Adopen Marmara ●



		Qty.		Kg
ZM012	7	150		16,68

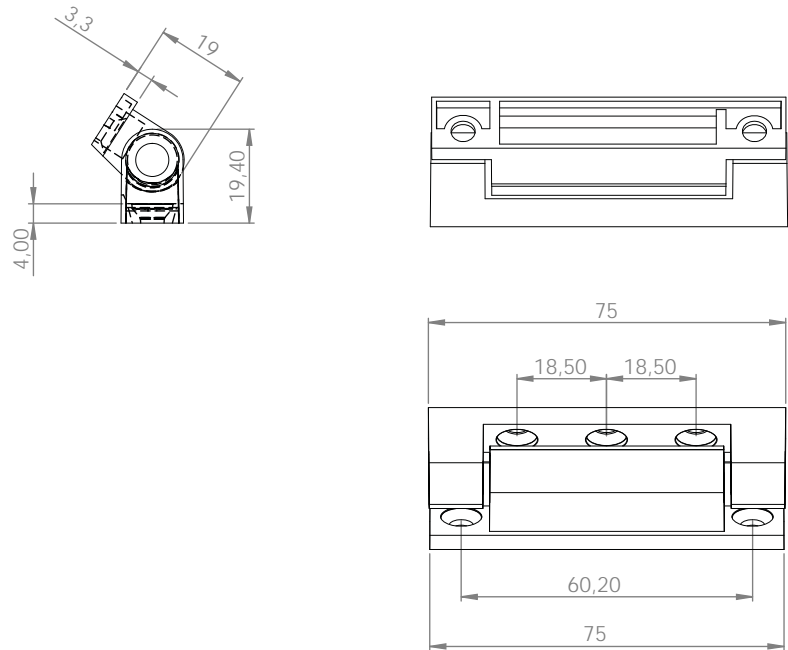


Hinges For uPVC

Window And Door Hinges



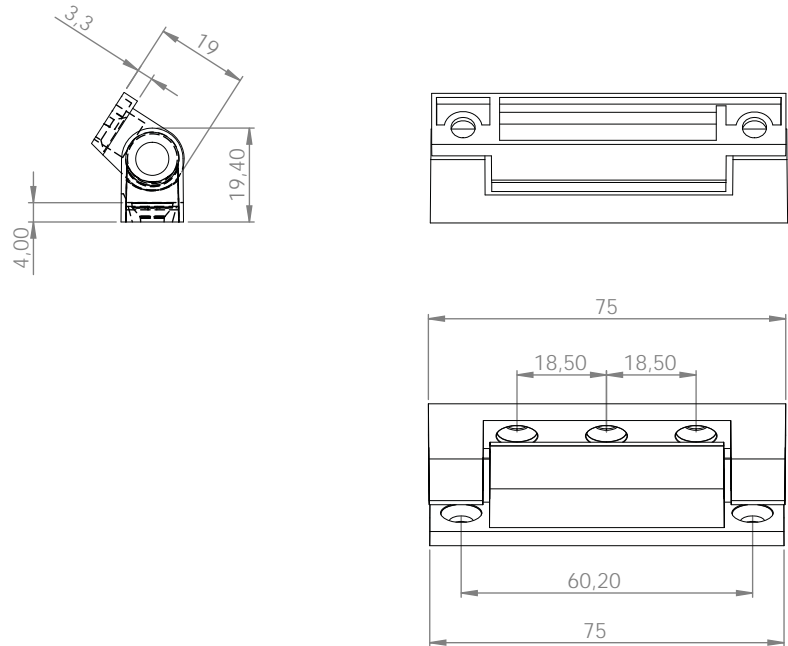
● Zinc Window Hinge 75 mm For Adopen Marmara



		Qty. 	Kg
ZM011	5	150	13,28

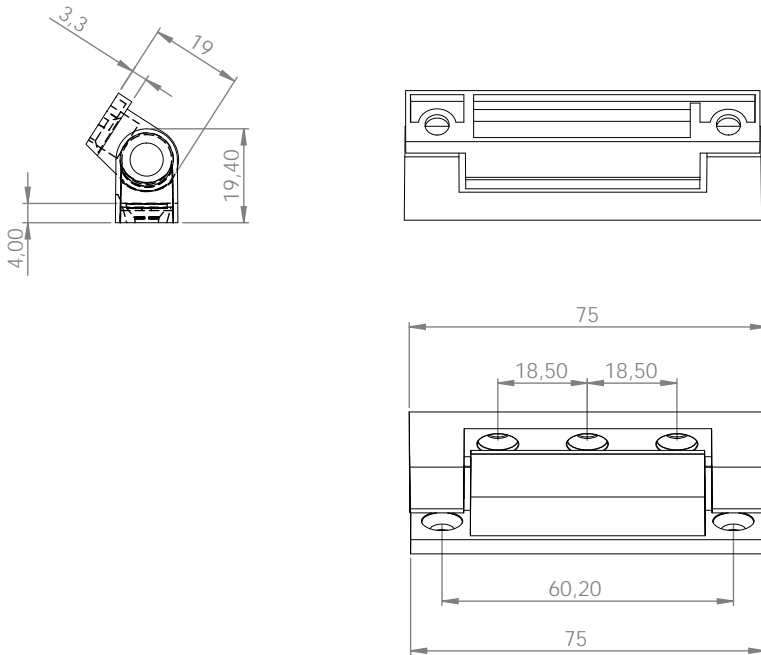


● Zinc Window Hinge 75 mm For Egepen



		Qty. 	Kg
ZM002	5	150	15,50

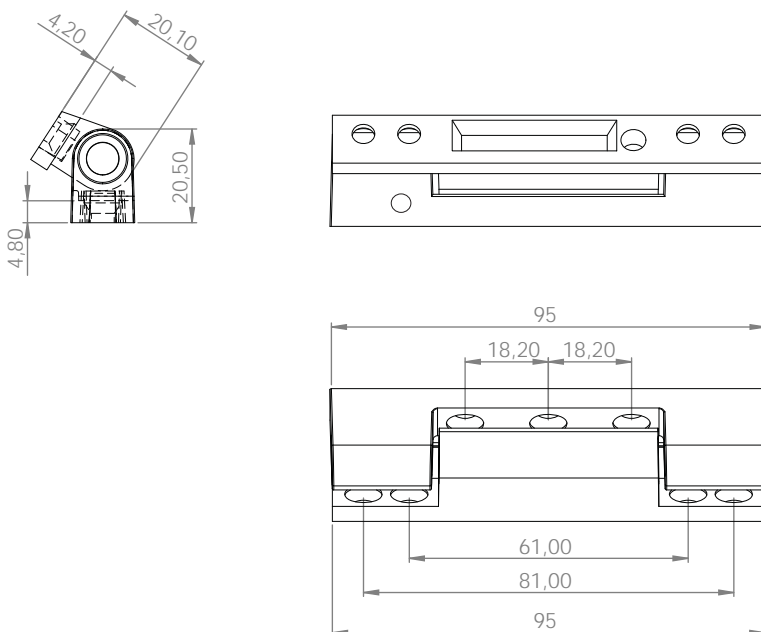
Zinc Window Hinge 75 mm For Egepen Max / Adopen Atlantik



		Qty.		Kg
ZM013	5	150		14,40



Zinc Door Hinge 95 mm Outward Opening



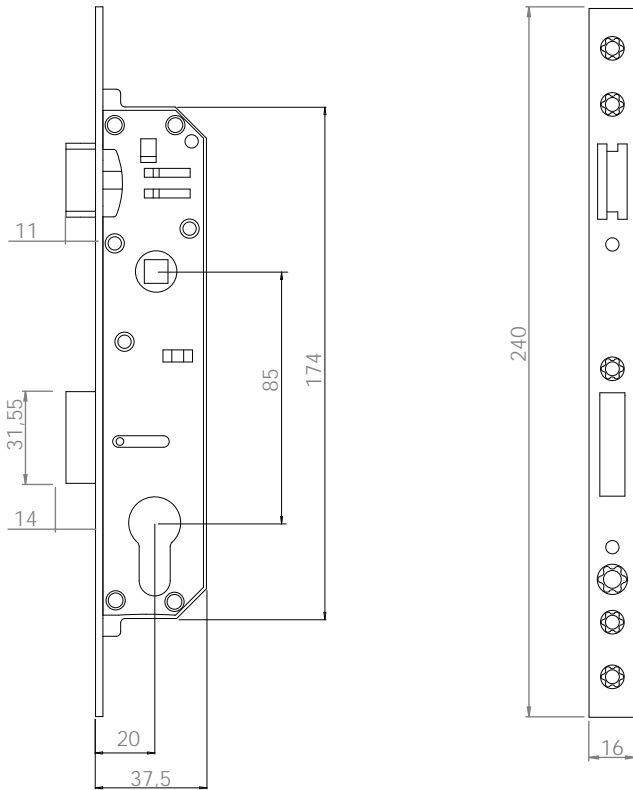
		Qty.		Kg
ZM006	7	150		20,22





Mortice Locks

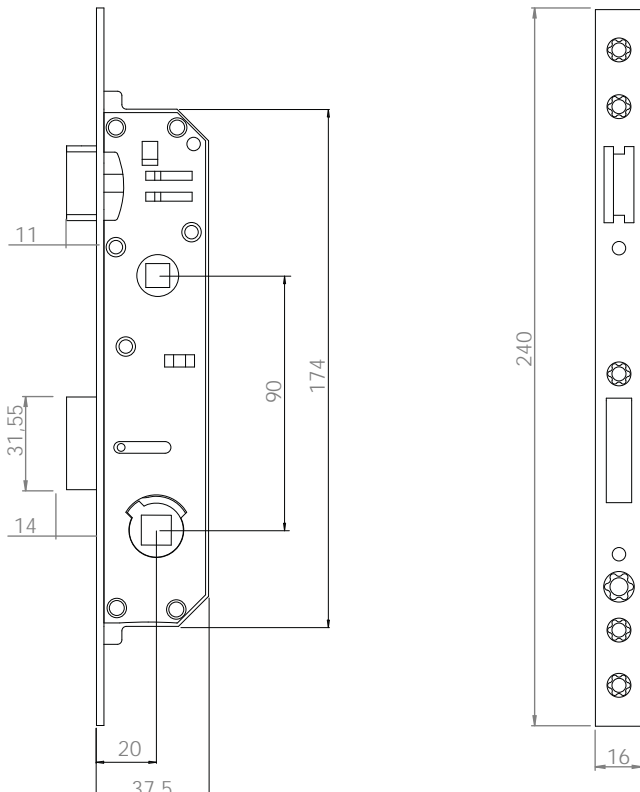
- Plastic Lock Case - Metal Cover Locks



- PZ: 85 mm Backset: 20 mm (Cylindrical)



	Qty. 	Kg
01.KIL007.00.00	40	10,15

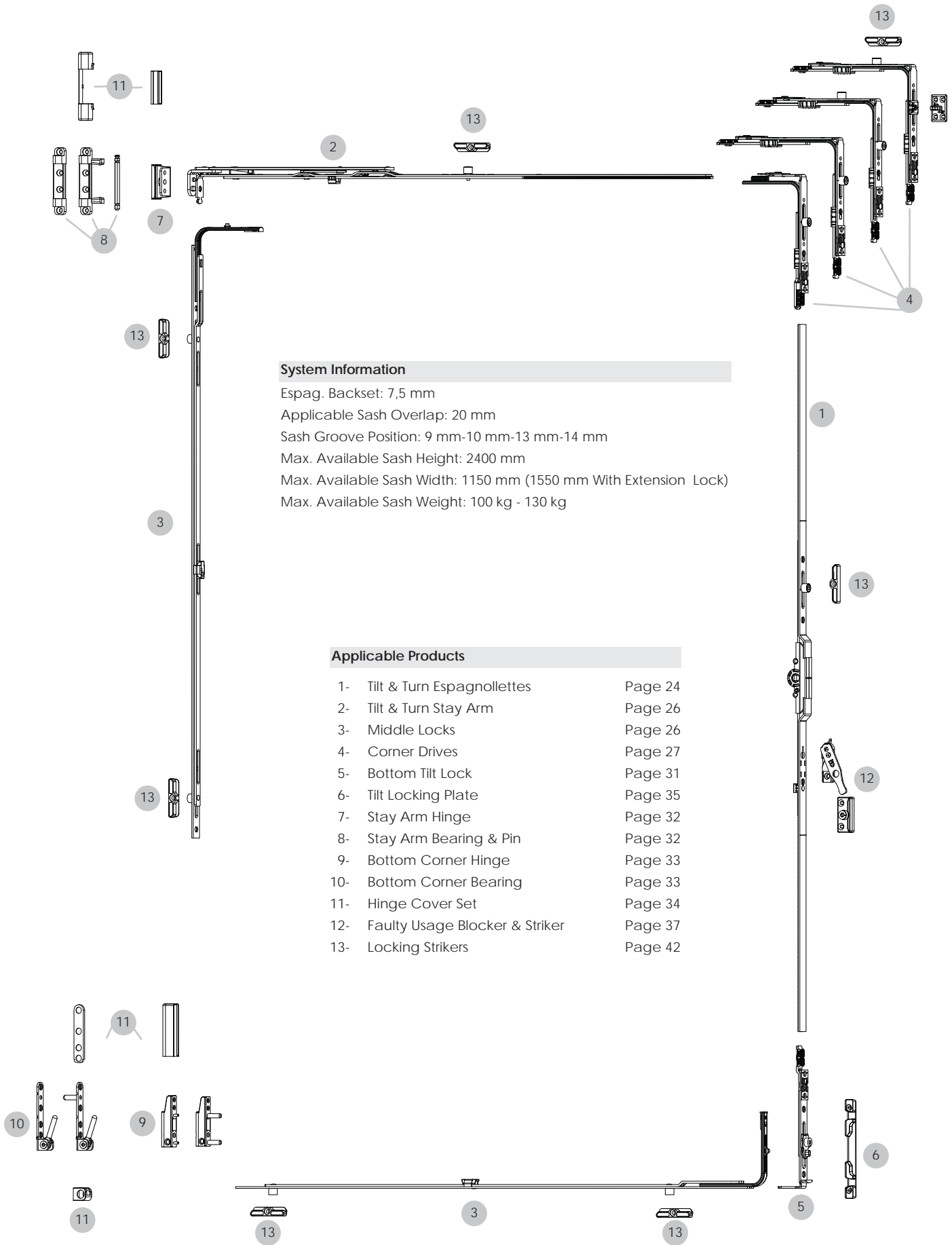
- PZ: 90 mm Backset: 20 mm (WC / Bathroom)



	Qty. 	Kg
01.KIL015.00.00	40	10,5

Tilt And Turn Systems

● 7,5 mm Backset Basic Security Level

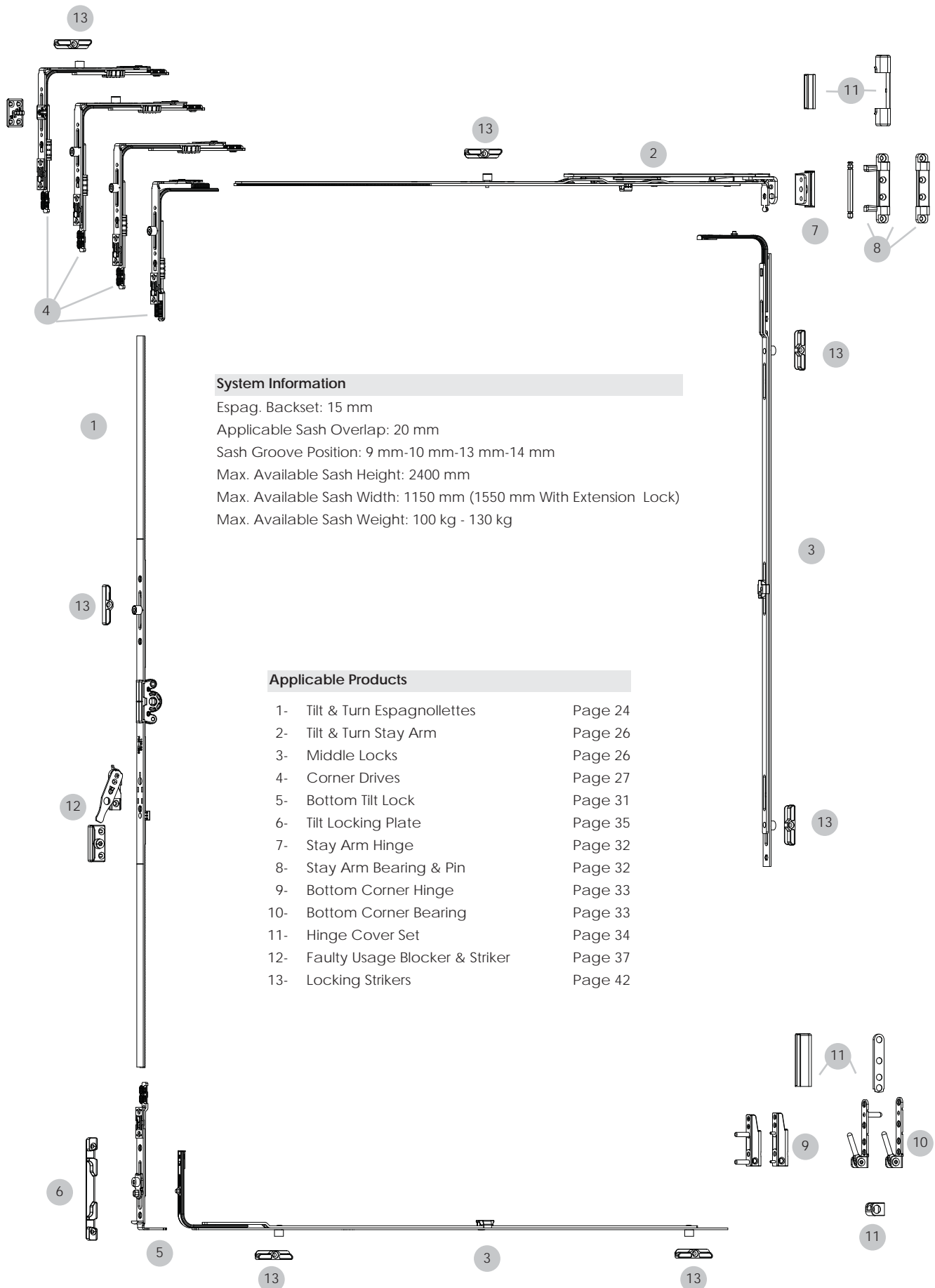


System Information

Espag. Backset: 7,5 mm
 Applicable Sash Overlap: 20 mm
 Sash Groove Position: 9 mm-10 mm-13 mm-14 mm
 Max. Available Sash Height: 2400 mm
 Max. Available Sash Width: 1150 mm (1550 mm With Extension Lock)
 Max. Available Sash Weight: 100 kg - 130 kg

Applicable Products

1-	Tilt & Turn Espagnollettes	Page 24
2-	Tilt & Turn Stay Arm	Page 26
3-	Middle Locks	Page 26
4-	Corner Drives	Page 27
5-	Bottom Tilt Lock	Page 31
6-	Tilt Locking Plate	Page 35
7-	Stay Arm Hinge	Page 32
8-	Stay Arm Bearing & Pin	Page 32
9-	Bottom Corner Hinge	Page 33
10-	Bottom Corner Bearing	Page 33
11-	Hinge Cover Set	Page 34
12-	Faulty Usage Blocker & Striker	Page 37
13-	Locking Strikers	Page 42



System Information

Espag. Backset: 15 mm

Applicable Sash Overlap: 20 mm

Sash Groove Position: 9 mm-10 mm-13 mm-14 mm

Max. Available Sash Height: 2400 mm

Max. Available Sash Width: 1150 mm (1550 mm With Extension Lock)

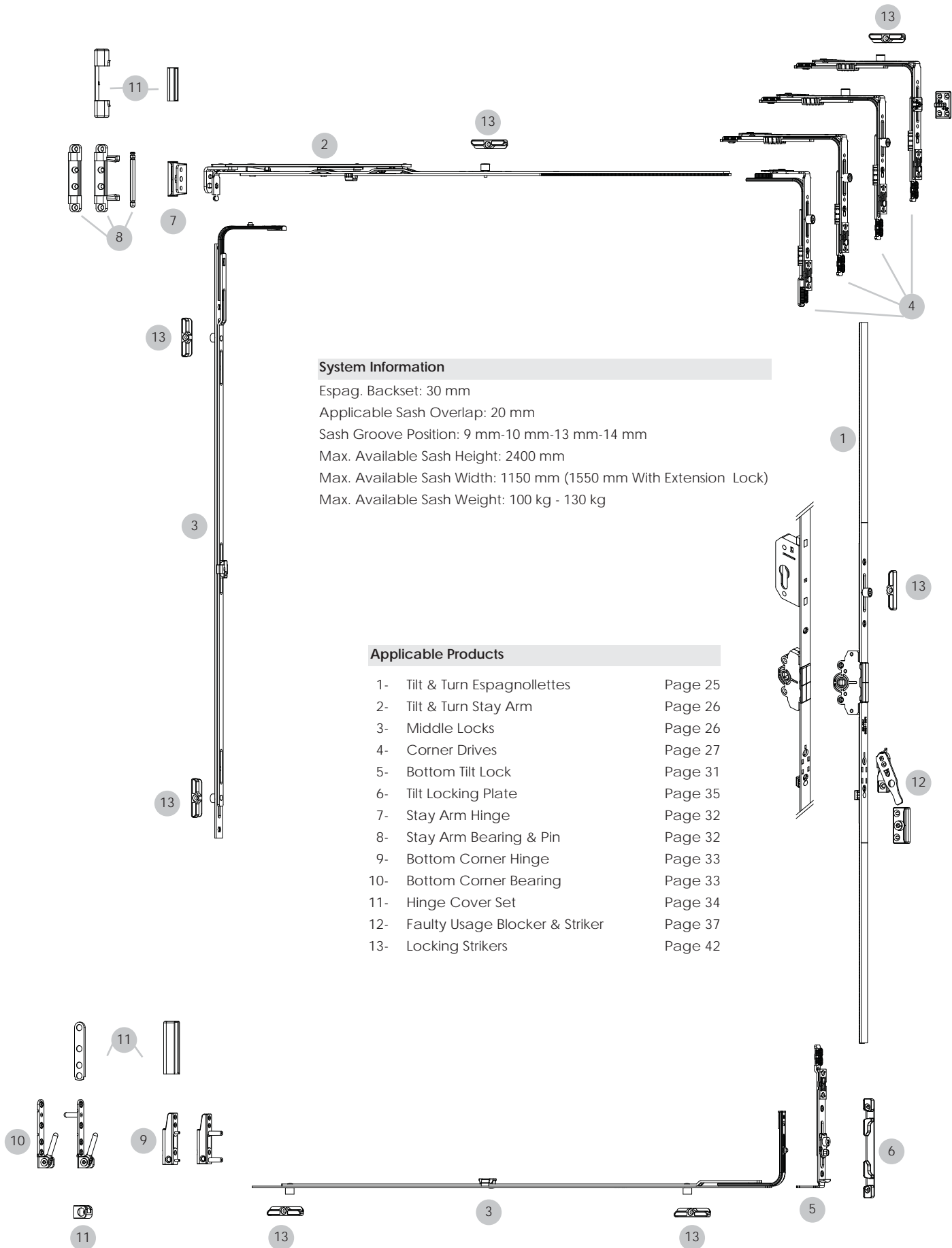
Max. Available Sash Weight: 100 kg - 130 kg

Applicable Products

1- Tilt & Turn Espagnollettes	Page 24
2- Tilt & Turn Stay Arm	Page 26
3- Middle Locks	Page 26
4- Corner Drives	Page 27
5- Bottom Tilt Lock	Page 31
6- Tilt Locking Plate	Page 35
7- Stay Arm Hinge	Page 32
8- Stay Arm Bearing & Pin	Page 32
9- Bottom Corner Hinge	Page 33
10- Bottom Corner Bearing	Page 33
11- Hinge Cover Set	Page 34
12- Faulty Usage Blocker & Striker	Page 37
13- Locking Strikers	Page 42

Tilt And Turn Systems

● 30 mm Backset Basic Security Level

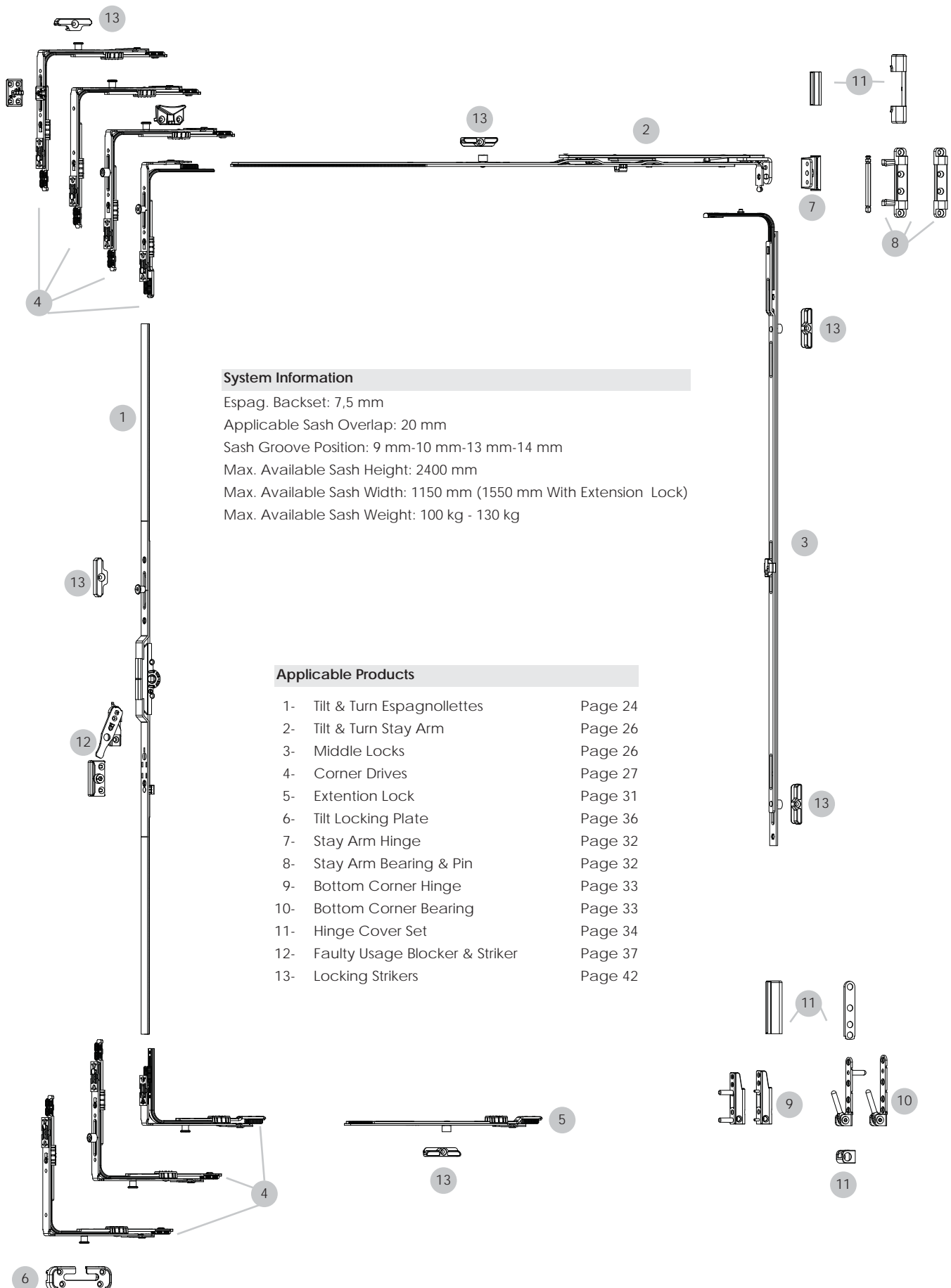


System Information

Espag. Backset: 30 mm
 Applicable Sash Overlap: 20 mm
 Sash Groove Position: 9 mm-10 mm-13 mm-14 mm
 Max. Available Sash Height: 2400 mm
 Max. Available Sash Width: 1150 mm (1550 mm With Extension Lock)
 Max. Available Sash Weight: 100 kg - 130 kg

Applicable Products

1-	Tilt & Turn Espagnollettes	Page 25
2-	Tilt & Turn Stay Arm	Page 26
3-	Middle Locks	Page 26
4-	Corner Drives	Page 27
5-	Bottom Tilt Lock	Page 31
6-	Tilt Locking Plate	Page 35
7-	Stay Arm Hinge	Page 32
8-	Stay Arm Bearing & Pin	Page 32
9-	Bottom Corner Hinge	Page 33
10-	Bottom Corner Bearing	Page 33
11-	Hinge Cover Set	Page 34
12-	Faulty Usage Blocker & Striker	Page 37
13-	Locking Strikers	Page 42



System Information

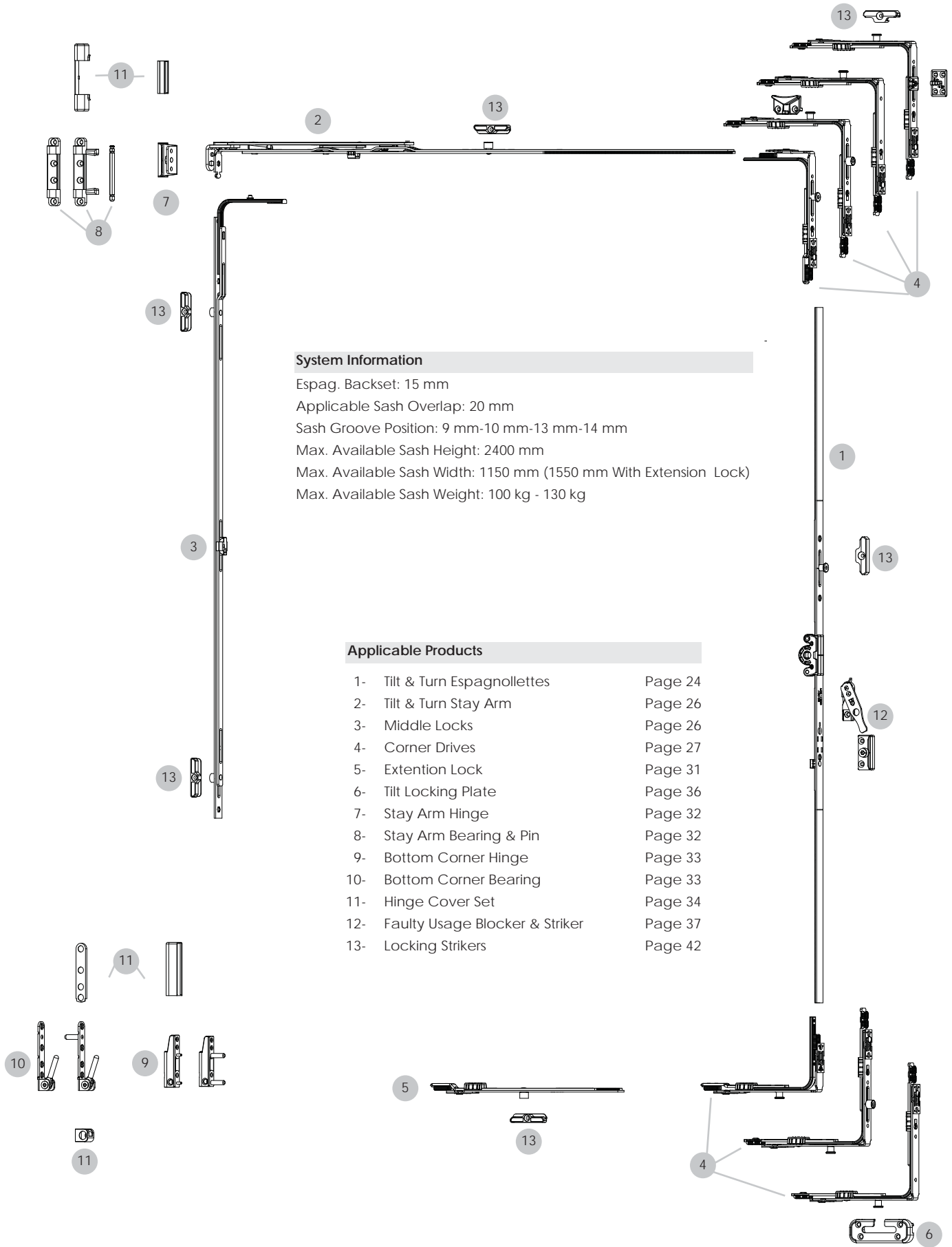
Espag. Backset: 7,5 mm
 Applicable Sash Overlap: 20 mm
 Sash Groove Position: 9 mm-10 mm-13 mm-14 mm
 Max. Available Sash Height: 2400 mm
 Max. Available Sash Width: 1150 mm (1550 mm With Extension Lock)
 Max. Available Sash Weight: 100 kg - 130 kg

Applicable Products

1-	Tilt & Turn Espagnollettes	Page 24
2-	Tilt & Turn Stay Arm	Page 26
3-	Middle Locks	Page 26
4-	Corner Drives	Page 27
5-	Extention Lock	Page 31
6-	Tilt Locking Plate	Page 36
7-	Stay Arm Hinge	Page 32
8-	Stay Arm Bearing & Pin	Page 32
9-	Bottom Corner Hinge	Page 33
10-	Bottom Corner Bearing	Page 33
11-	Hinge Cover Set	Page 34
12-	Faulty Usage Blocker & Striker	Page 37
13-	Locking Strikers	Page 42

Tilt And Turn Systems

● 15 mm Backset Medium Security Level

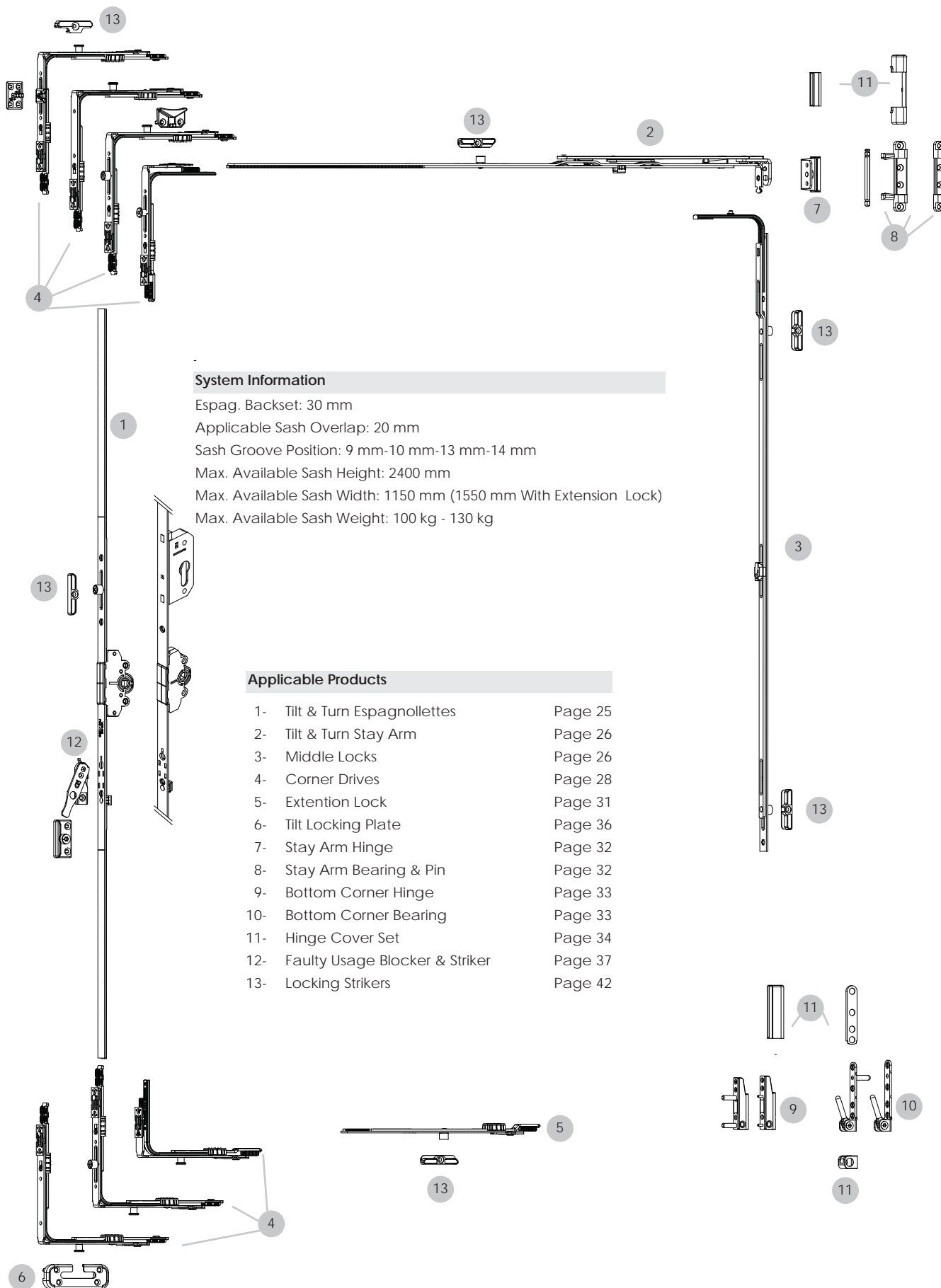


System Information

Espag. Backset: 15 mm
 Applicable Sash Overlap: 20 mm
 Sash Groove Position: 9 mm-10 mm-13 mm-14 mm
 Max. Available Sash Height: 2400 mm
 Max. Available Sash Width: 1150 mm (1550 mm With Extension Lock)
 Max. Available Sash Weight: 100 kg - 130 kg

Applicable Products

1- Tilt & Turn Espagnollettes	Page 24
2- Tilt & Turn Stay Arm	Page 26
3- Middle Locks	Page 26
4- Corner Drives	Page 27
5- Extension Lock	Page 31
6- Tilt Locking Plate	Page 36
7- Stay Arm Hinge	Page 32
8- Stay Arm Bearing & Pin	Page 32
9- Bottom Corner Hinge	Page 33
10- Bottom Corner Bearing	Page 33
11- Hinge Cover Set	Page 34
12- Faulty Usage Blocker & Striker	Page 37
13- Locking Strikers	Page 42



System Information

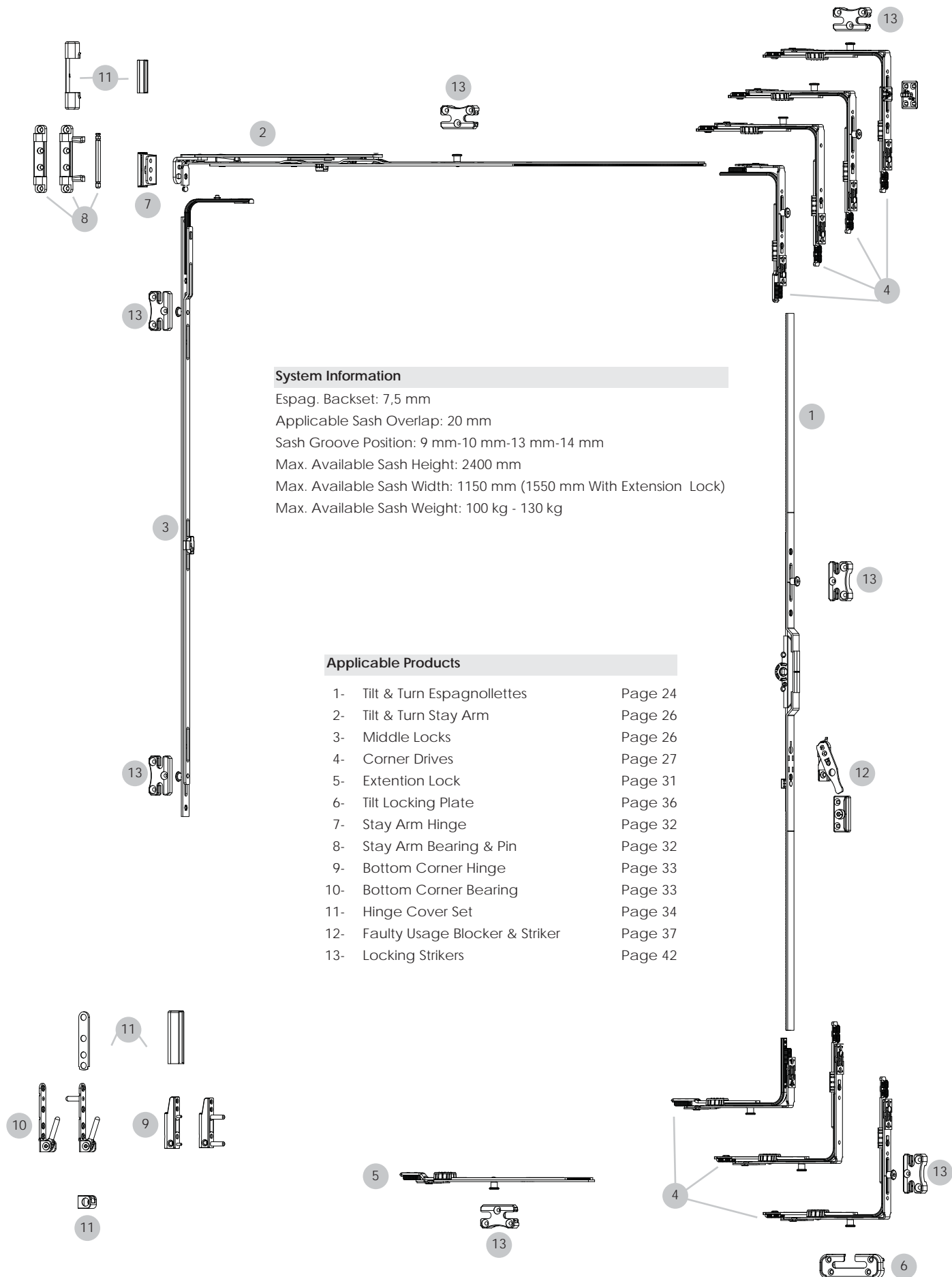
Espag. Backset: 30 mm
 Applicable Sash Overlap: 20 mm
 Sash Groove Position: 9 mm-10 mm-13 mm-14 mm
 Max. Available Sash Height: 2400 mm
 Max. Available Sash Width: 1150 mm (1550 mm With Extension Lock)
 Max. Available Sash Weight: 100 kg - 130 kg

Applicable Products

1-	Tilt & Turn Espagnollettes	Page 25
2-	Tilt & Turn Stay Arm	Page 26
3-	Middle Locks	Page 26
4-	Corner Drives	Page 28
5-	Extention Lock	Page 31
6-	Tilt Locking Plate	Page 36
7-	Stay Arm Hinge	Page 32
8-	Stay Arm Bearing & Pin	Page 32
9-	Bottom Corner Hinge	Page 33
10-	Bottom Corner Bearing	Page 33
11-	Hinge Cover Set	Page 34
12-	Faulty Usage Blocker & Striker	Page 37
13-	Locking Strikers	Page 42

Tilt And Turn Systems

● 7,5 mm Backset High Security Level

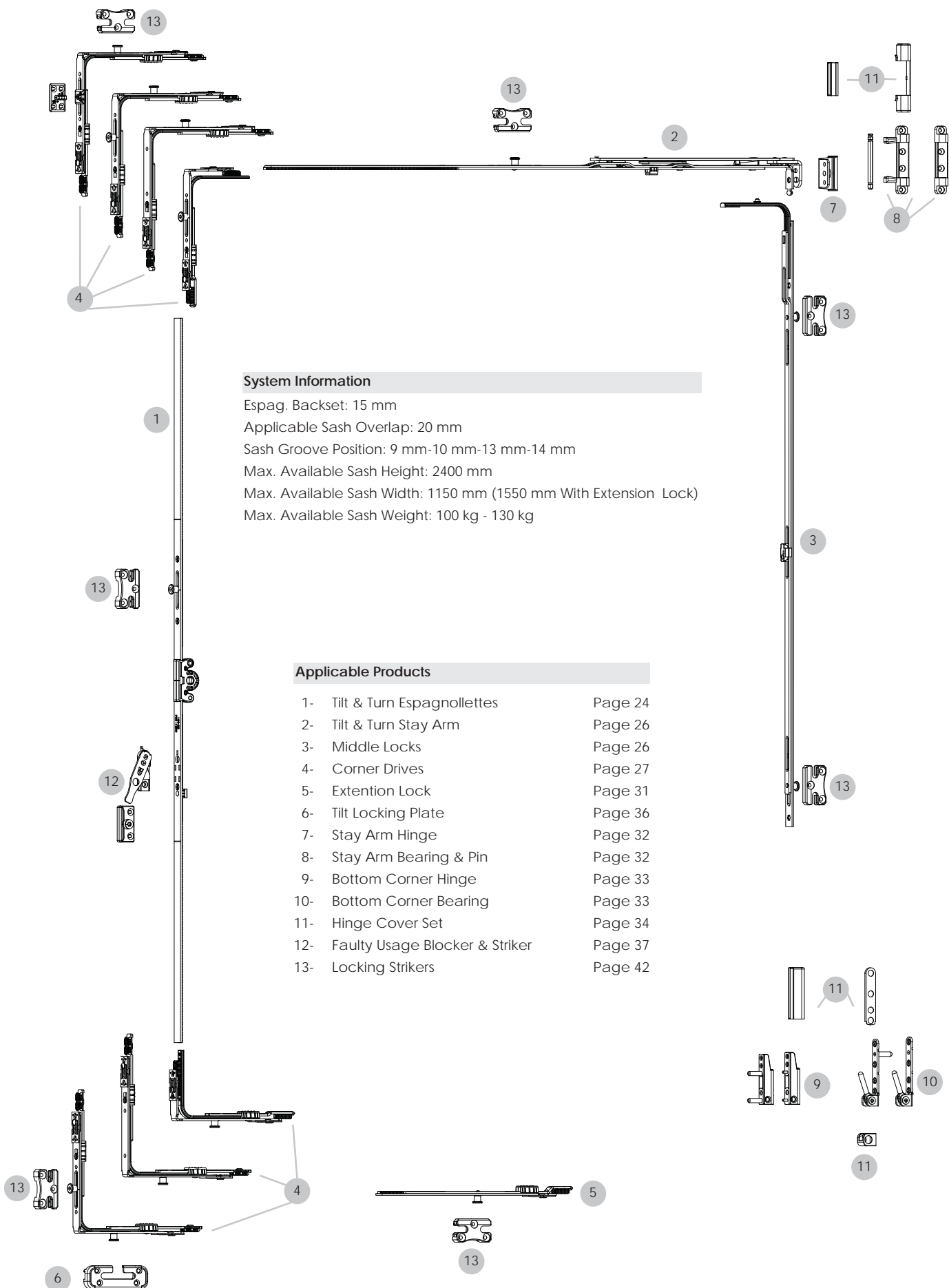


System Information

Espag. Backset: 7,5 mm
 Applicable Sash Overlap: 20 mm
 Sash Groove Position: 9 mm-10 mm-13 mm-14 mm
 Max. Available Sash Height: 2400 mm
 Max. Available Sash Width: 1150 mm (1550 mm With Extension Lock)
 Max. Available Sash Weight: 100 kg - 130 kg

Applicable Products

1- Tilt & Turn Espagnolettes	Page 24
2- Tilt & Turn Stay Arm	Page 26
3- Middle Locks	Page 26
4- Corner Drives	Page 27
5- Extension Lock	Page 31
6- Tilt Locking Plate	Page 36
7- Stay Arm Hinge	Page 32
8- Stay Arm Bearing & Pin	Page 32
9- Bottom Corner Hinge	Page 33
10- Bottom Corner Bearing	Page 33
11- Hinge Cover Set	Page 34
12- Faulty Usage Blocker & Striker	Page 37
13- Locking Strikers	Page 42



System Information

Espag. Backset: 15 mm

Applicable Sash Overlap: 20 mm

Sash Groove Position: 9 mm-10 mm-13 mm-14 mm

Max. Available Sash Height: 2400 mm

Max. Available Sash Width: 1150 mm (1550 mm With Extension Lock)

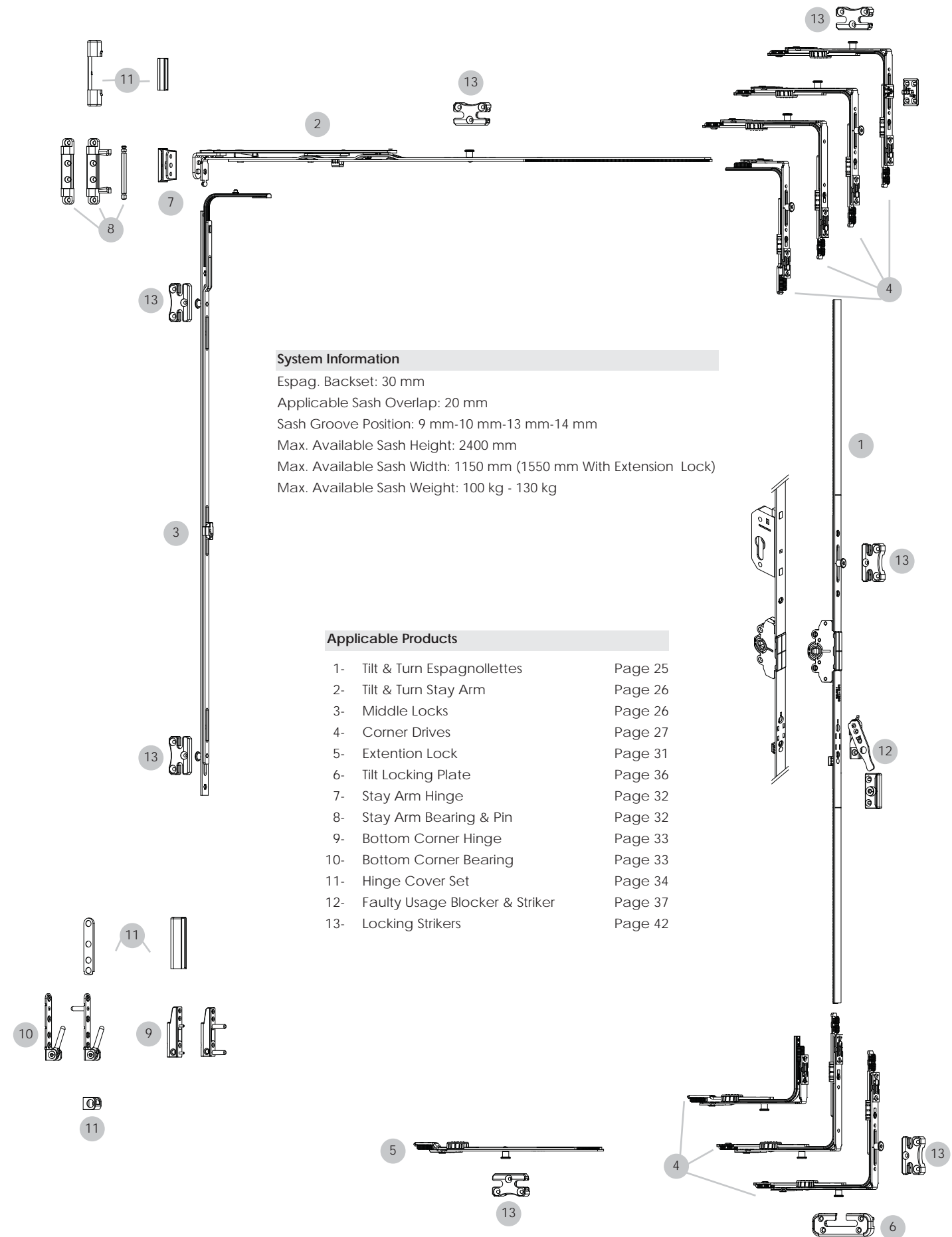
Max. Available Sash Weight: 100 kg - 130 kg

Applicable Products

1-	Tilt & Turn Espagnollettes	Page 24
2-	Tilt & Turn Stay Arm	Page 26
3-	Middle Locks	Page 26
4-	Corner Drives	Page 27
5-	Extention Lock	Page 31
6-	Tilt Locking Plate	Page 36
7-	Stay Arm Hinge	Page 32
8-	Stay Arm Bearing & Pin	Page 32
9-	Bottom Corner Hinge	Page 33
10-	Bottom Corner Bearing	Page 33
11-	Hinge Cover Set	Page 34
12-	Faulty Usage Blocker & Striker	Page 37
13-	Locking Strikers	Page 42

Tilt And Turn Systems

● 30 mm Backset High Security Level

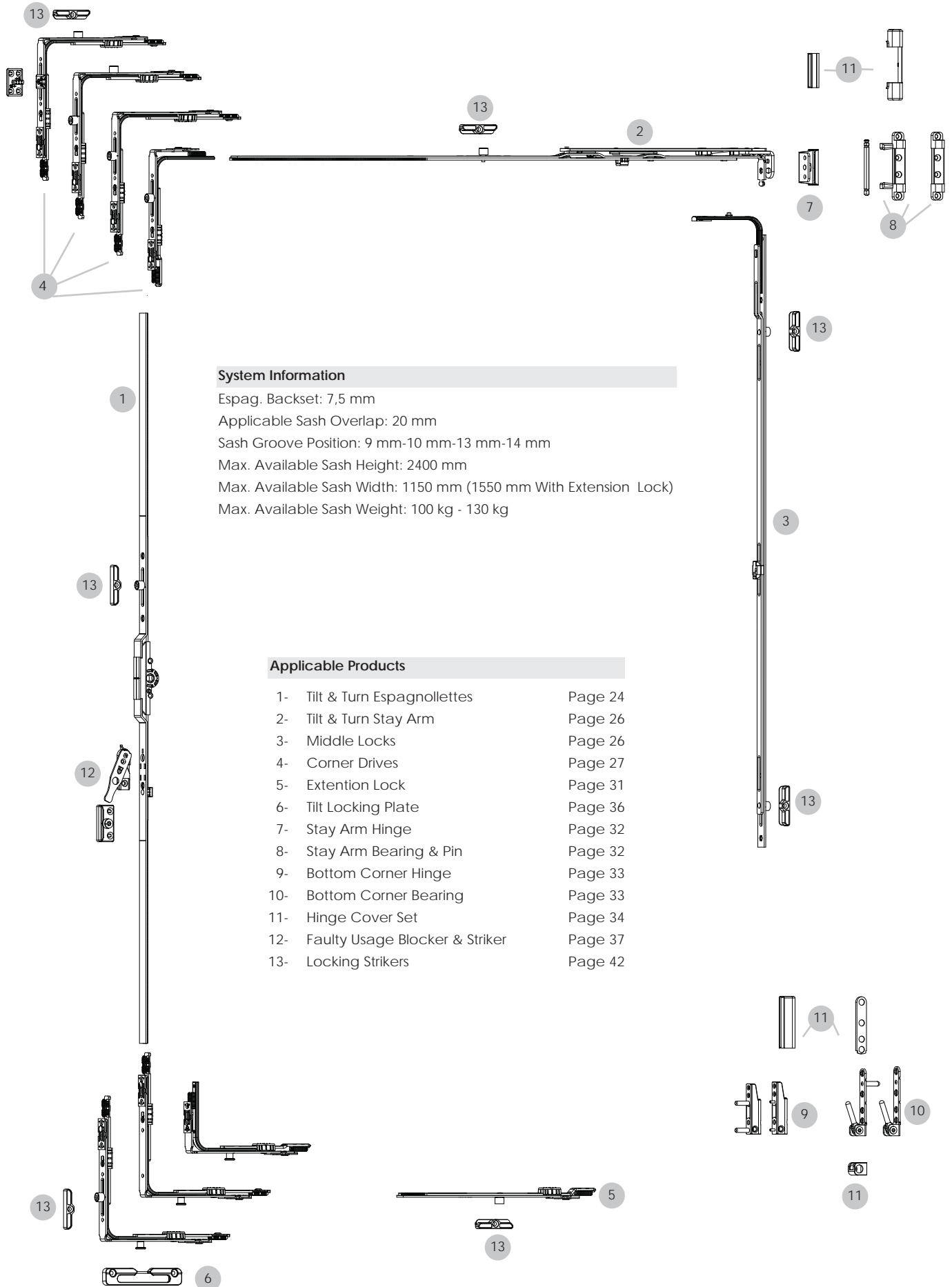


System Information

Espag. Backset: 30 mm
 Applicable Sash Overlap: 20 mm
 Sash Groove Position: 9 mm-10 mm-13 mm-14 mm
 Max. Available Sash Height: 2400 mm
 Max. Available Sash Width: 1150 mm (1550 mm With Extension Lock)
 Max. Available Sash Weight: 100 kg - 130 kg

Applicable Products

1-	Tilt & Turn Espagnollettes	Page 25
2-	Tilt & Turn Stay Arm	Page 26
3-	Middle Locks	Page 26
4-	Corner Drives	Page 27
5-	Extension Lock	Page 31
6-	Tilt Locking Plate	Page 36
7-	Stay Arm Hinge	Page 32
8-	Stay Arm Bearing & Pin	Page 32
9-	Bottom Corner Hinge	Page 33
10-	Bottom Corner Bearing	Page 33
11-	Hinge Cover Set	Page 34
12-	Faulty Usage Blocker & Striker	Page 37
13-	Locking Strikers	Page 42



System Information

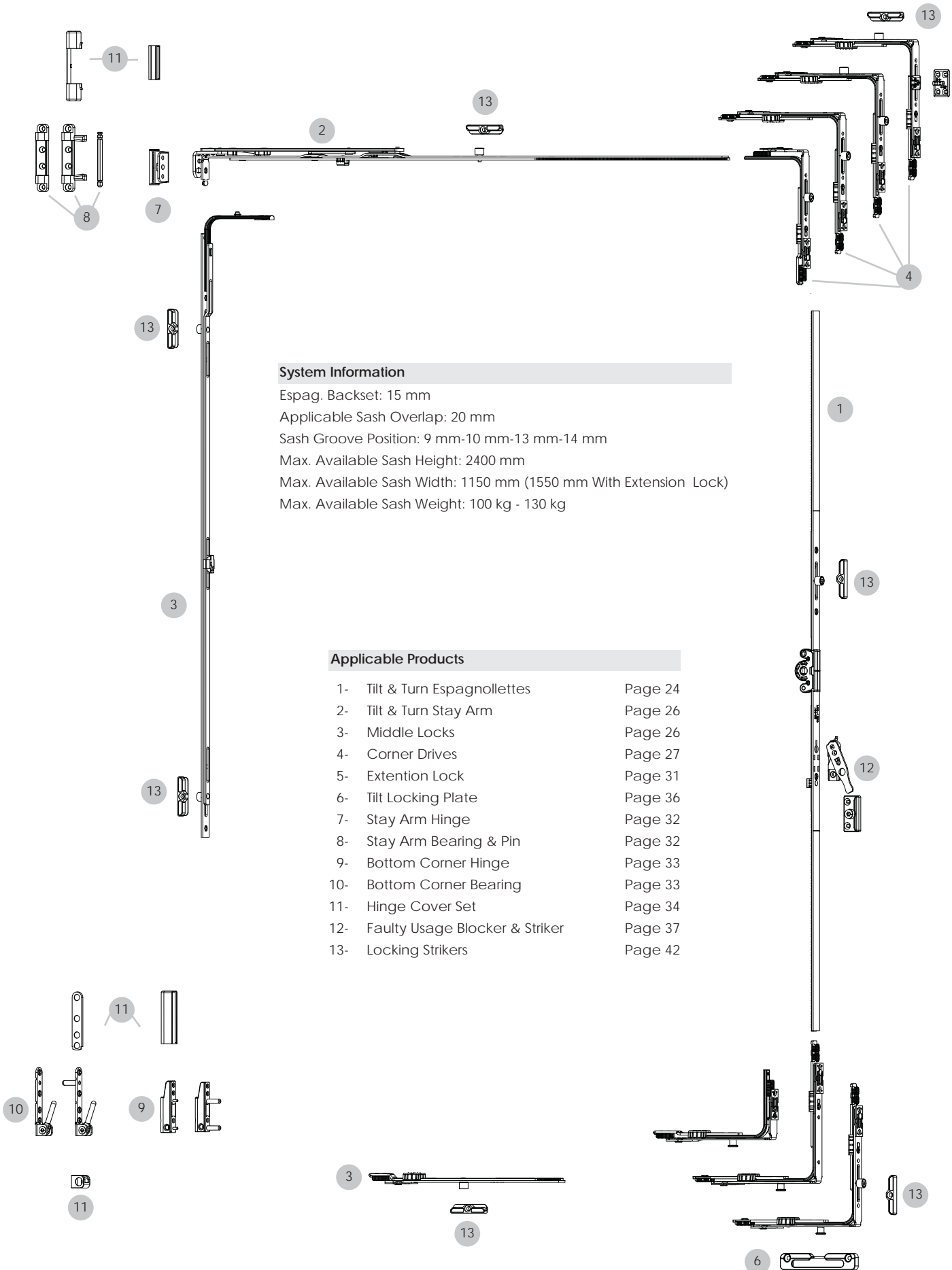
Espag. Backset: 7,5 mm
 Applicable Sash Overlap: 20 mm
 Sash Groove Position: 9 mm-10 mm-13 mm-14 mm
 Max. Available Sash Height: 2400 mm
 Max. Available Sash Width: 1150 mm (1550 mm With Extension Lock)
 Max. Available Sash Weight: 100 kg - 130 kg

Applicable Products

1- Tilt & Turn Espagnollettes	Page 24
2- Tilt & Turn Stay Arm	Page 26
3- Middle Locks	Page 26
4- Corner Drives	Page 27
5- Extension Lock	Page 31
6- Tilt Locking Plate	Page 36
7- Stay Arm Hinge	Page 32
8- Stay Arm Bearing & Pin	Page 32
9- Bottom Corner Hinge	Page 33
10- Bottom Corner Bearing	Page 33
11- Hinge Cover Set	Page 34
12- Faulty Usage Blocker & Striker	Page 37
13- Locking Strikers	Page 42

Tilt And Turn Systems

15 mm Backset Tilt First System

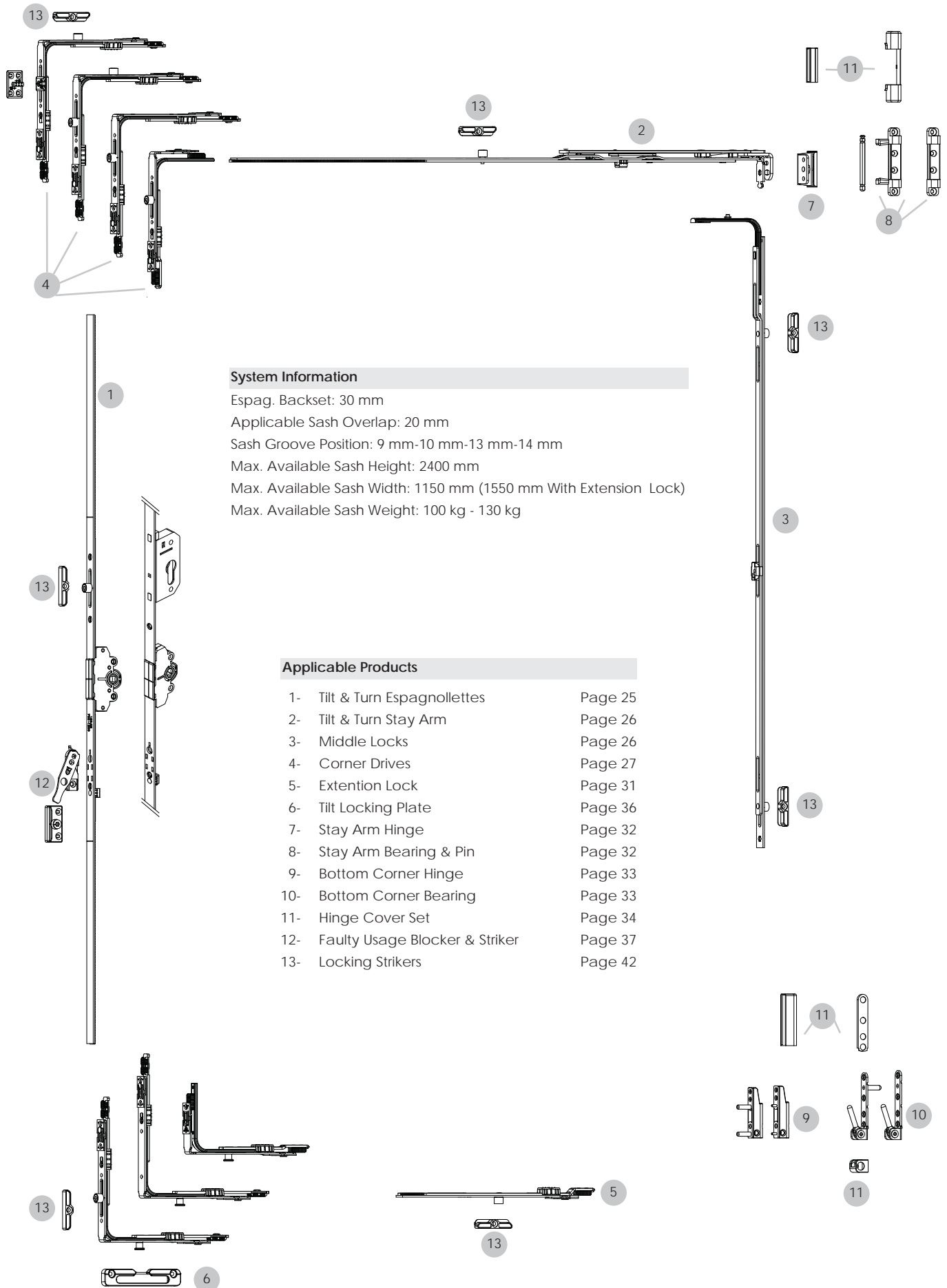


System Information

Espag. Backset: 15 mm
 Applicable Sash Overlap: 20 mm
 Sash Groove Position: 9 mm-10 mm-13 mm-14 mm
 Max. Available Sash Height: 2400 mm
 Max. Available Sash Width: 1150 mm (1550 mm With Extension Lock)
 Max. Available Sash Weight: 100 kg - 130 kg

Applicable Products

1- Tilt & Turn Espagnollettes	Page 24
2- Tilt & Turn Stay Arm	Page 26
3- Middle Locks	Page 26
4- Corner Drives	Page 27
5- Extension Lock	Page 31
6- Tilt Locking Plate	Page 36
7- Stay Arm Hinge	Page 32
8- Stay Arm Bearing & Pin	Page 32
9- Bottom Corner Hinge	Page 33
10- Bottom Corner Bearing	Page 33
11- Hinge Cover Set	Page 34
12- Faulty Usage Blocker & Striker	Page 37
13- Locking Strikers	Page 42



System Information

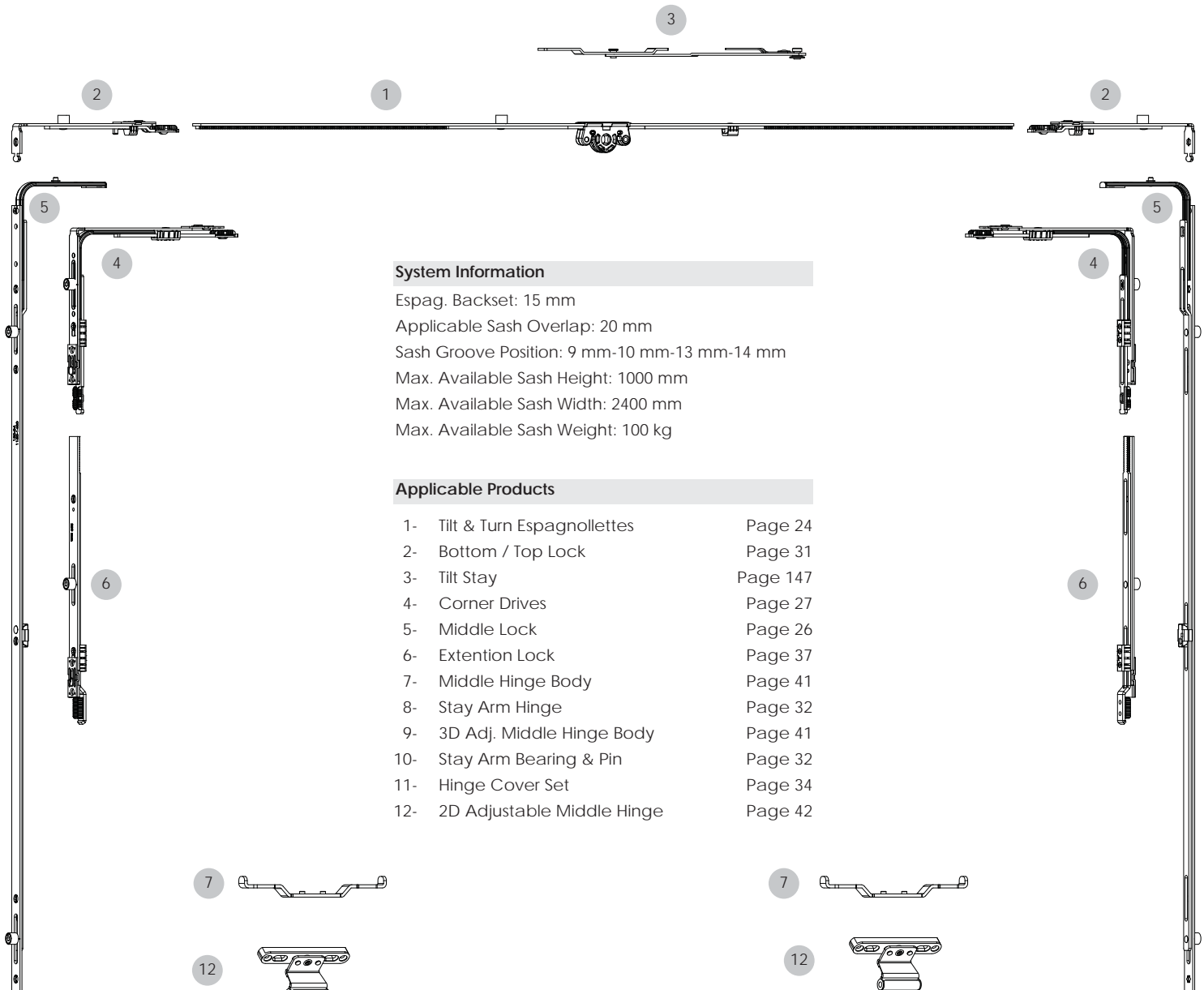
Espag. Backset: 30 mm
 Applicable Sash Overlap: 20 mm
 Sash Groove Position: 9 mm-10 mm-13 mm-14 mm
 Max. Available Sash Height: 2400 mm
 Max. Available Sash Width: 1150 mm (1550 mm With Extension Lock)
 Max. Available Sash Weight: 100 kg - 130 kg

Applicable Products

1- Tilt & Turn Espagnollettes	Page 25
2- Tilt & Turn Stay Arm	Page 26
3- Middle Locks	Page 26
4- Corner Drives	Page 27
5- Extension Lock	Page 31
6- Tilt Locking Plate	Page 36
7- Stay Arm Hinge	Page 32
8- Stay Arm Bearing & Pin	Page 32
9- Bottom Corner Hinge	Page 33
10- Bottom Corner Bearing	Page 33
11- Hinge Cover Set	Page 34
12- Faulty Usage Blocker & Striker	Page 37
13- Locking Strikers	Page 42

Tilt And Turn Systems

● 15 mm Backset Tilt Only System

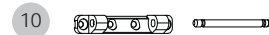
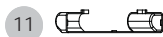
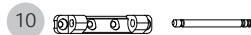


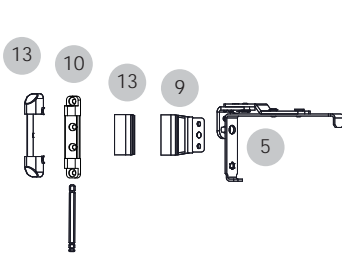
System Information

Espag. Backset: 15 mm
 Applicable Sash Overlap: 20 mm
 Sash Groove Position: 9 mm-10 mm-13 mm-14 mm
 Max. Available Sash Height: 1000 mm
 Max. Available Sash Width: 2400 mm
 Max. Available Sash Weight: 100 kg

Applicable Products

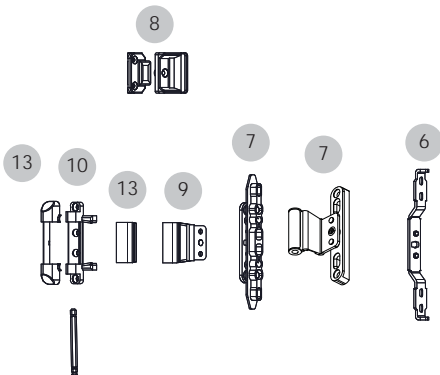
1-	Tilt & Turn Espagnolettes	Page 24
2-	Bottom / Top Lock	Page 31
3-	Tilt Stay	Page 147
4-	Corner Drives	Page 27
5-	Middle Lock	Page 26
6-	Extension Lock	Page 37
7-	Middle Hinge Body	Page 41
8-	Stay Arm Hinge	Page 32
9-	3D Adj. Middle Hinge Body	Page 41
10-	Stay Arm Bearing & Pin	Page 32
11-	Hinge Cover Set	Page 34
12-	2D Adjustable Middle Hinge	Page 42





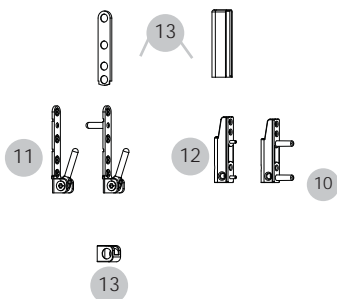
System Information

- Applicable Sash Overlap: 20 mm
- Sash Groove Position: 9 mm-10 mm-13 mm-14 mm
- Max. Available Sash Height: 2400 mm
- Max. Available Sash Width: 1550 mm
- Max. Available Sash Weight: 100 kg - 130 kg



Applicable Products

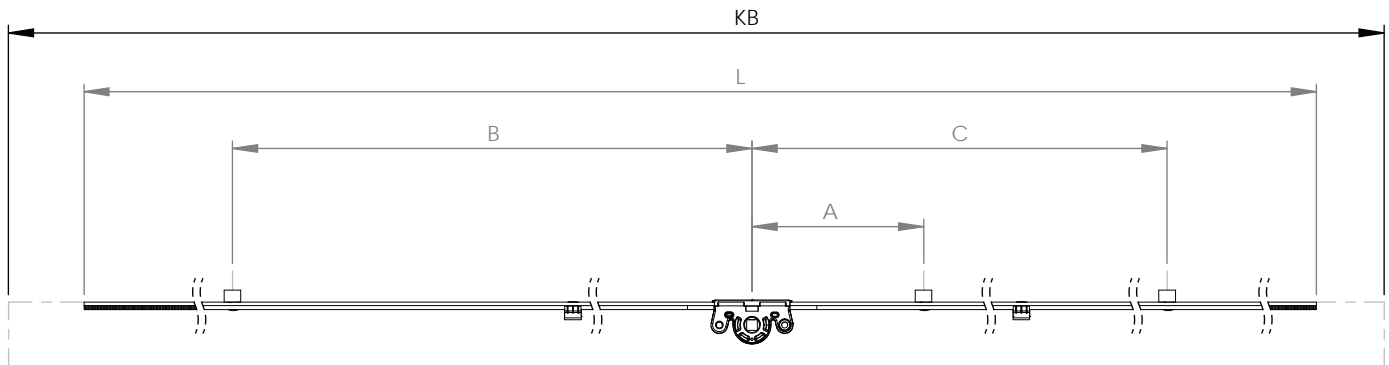
1-	Double Sash Espagnolettes	Page 38
2-	Double Sash Shootbolts	Page 39
3-	Shootbolt Striker	Page 40
4-	Middle Lock	Page 26
5-	Side Hung Sash Hinge	Page 40
6-	Middle Hinge Body	Page 41
7-	3D Adj. Middle Hinge Body	Page 41
8-	Gasket Pressure Hinge	Page 43
9-	Stay Arm Hinge	Page 32
10-	Stay Arm Bearing & Pin	Page 32
11-	Bottom Corner Bearing	Page 33
12-	Bottom Corner Hinge	Page 33
13-	Hinge Cover Set	Page 34
14-	Locking Strikers	Page 42
15-	2D Adjustable Middle Hinge	Page 42

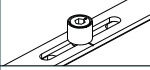
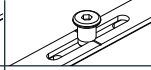






Tilt And Turn Systems

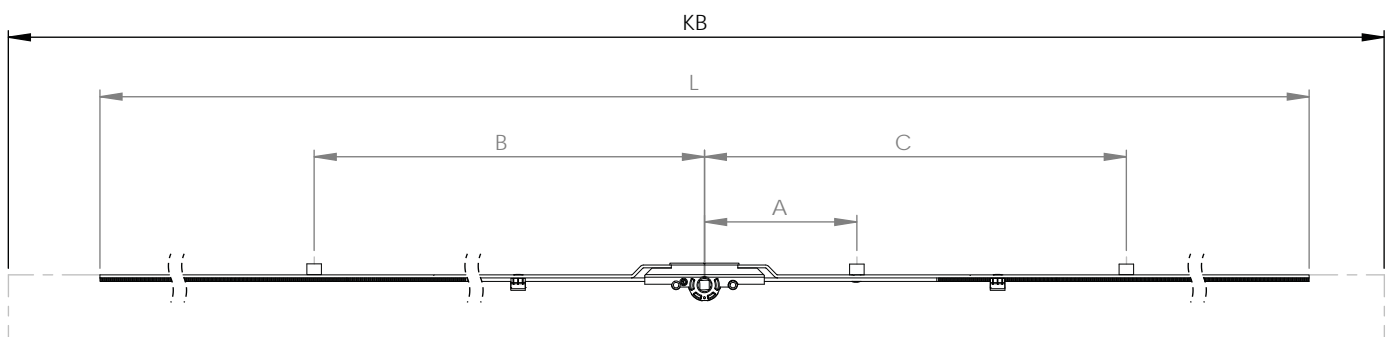
● Espagnolettes

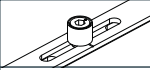
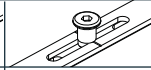




● 15 mm Backset Espagnolette



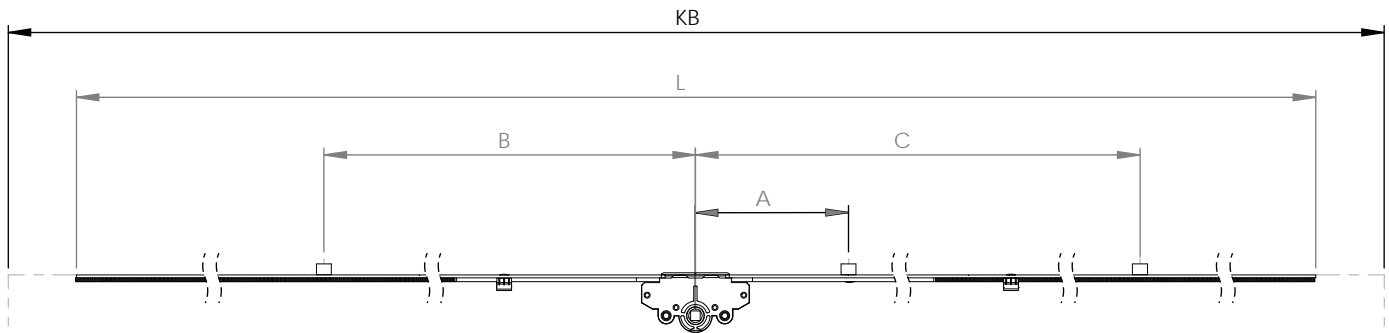
		KB	L	A	B	C				Qty. 	Kg
01.TTS.100.00.01	-	500-700	400	-	-	-	2	-	-	20	4,50
01.TTS.100.01.02	01.TTS.100.02.02	700-1200	900	112	-	-	3	1	✓	20	8,85
01.TTS.100.01.03	01.TTS.100.02.03	900-1400	1100	112	-	-	5	1	✓	20	10,60
01.TTS.100.01.04	01.TTS.100.02.04	1200-1700	1400	258	258	-	8	2	✓	20	13,32
01.TTS.100.01.05	01.TTS.100.02.05	1700-2200	1900	350	350	-	8	2	✓	20	18,35
01.TTS.100.01.06	01.TTS.100.02.06	1900-2400	2100	112	501	501	9	3	✓	20	20,18

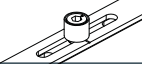
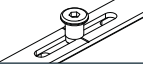

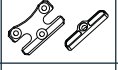


● 7,5 mm Backset Espagnolette



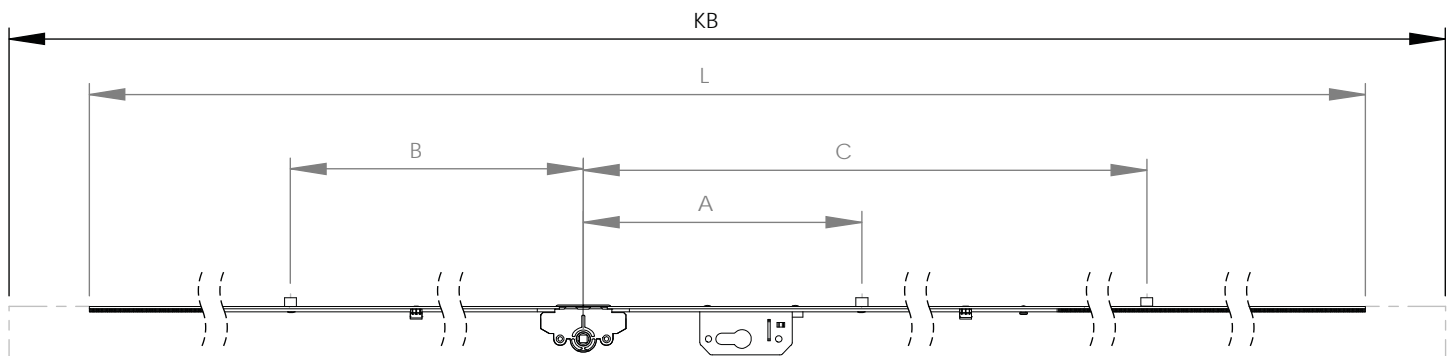
		KB	L	A	B	C				Qty. 	Kg
01.TTS.102.00.01	-	500-700	400	-	-	-	2	-	-	20	-
01.TTS.102.01.02	01.TTS.102.02.02	700-1200	900	112	-	-	3	1	✓	20	-
01.TTS.102.01.03	01.TTS.102.02.03	900-1400	1100	112	-	-	5	1	✓	20	-
01.TTS.102.01.04	01.TTS.102.02.04	1200-1700	1400	258	258	-	8	2	✓	20	-
01.TTS.102.01.05	01.TTS.102.02.05	1700-2200	1900	350	350	-	8	2	✓	20	-
01.TTS.102.01.06	01.TTS.102.02.06	1900-2400	2100	112	501	501	9	3	✓	20	-

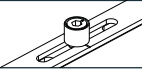
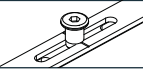

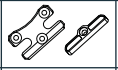


30 mm Backset Espagnolette ●



		KB	L	A	B	C				Qty. 	Kg
01.TTS.101.00.01	-	500-700	400	-	-	-	2	-	-	20	-
01.TTS.101.01.02	01.TTS.102.02.02	700-1200	900	112	-	-	3	1	✓	20	-
01.TTS.101.01.03	01.TTS.102.02.03	900-1400	1100	112	-	-	5	1	✓	20	-
01.TTS.101.01.04	01.TTS.102.02.04	1200-1700	1400	258	258	-	8	2	✓	20	14,55
01.TTS.101.01.05	01.TTS.102.02.05	1700-2200	1900	350	350	-	8	2	✓	20	20,20
01.TTS.101.01.06	01.TTS.102.02.06	1900-2400	2100	112	501	501	9	3	✓	20	22,00

30 mm Backset Lockable Espagnolette ●

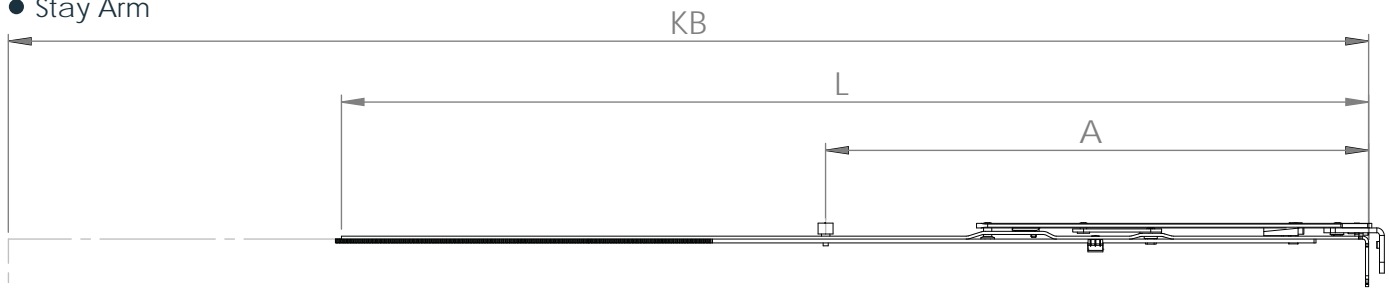


		KB	L	A	B	C				Qty. 	Kg
01.TTS.103.01.04	01.TTS.103.02.04	1200 -1700	1400	258	258	-	8	2	✓	20	-
01.TTS.103.01.05	01.TTS.103.02.05	1700 - 2200	1900	350	350	-	8	2	✓	20	-
01.TTS.103.01.06	01.TTS.103.02.06	1900 - 2400	2100	112	501	501	9	3	✓	20	-

Tilt And Turn Systems

Stay Arms & Middle Locks

Stay Arm



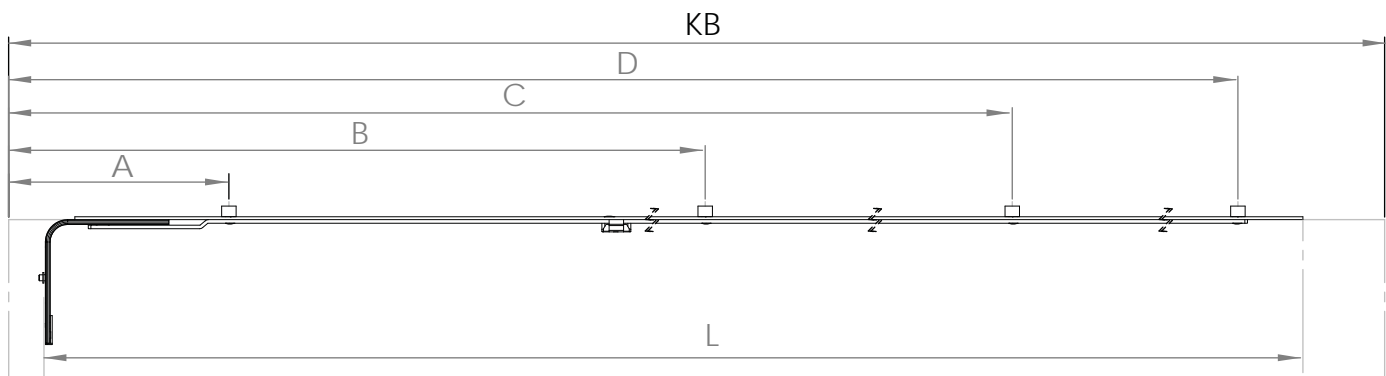
Tilt & Turn Stay Arm

		KB	L	A			Qty.		Kg
01.TTS.200.00.01	-	350-600	450	-	4	-	20		6,40
01.TTS.200.00.02	-	400-650	500	-	4	-	20		7,30
01.TTS.200.01.03	01.TTS.200.02.03	650-900	750	395	6	1	20		9,84
01.TTS.200.01.04	01.TTS.200.02.04	900-1150	1000	592	9	1	20		12,69

Tilt First Stay Arm

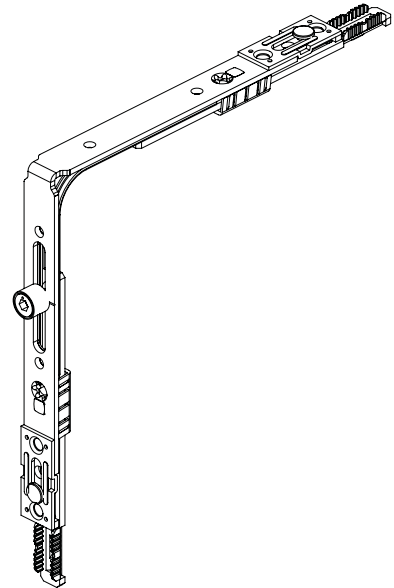
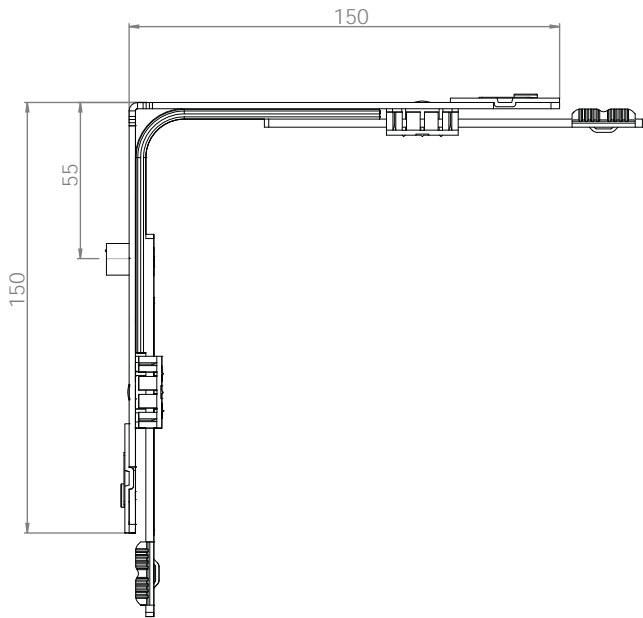
		KB	L	A			Qty.		Kg
01.TTS.201.00.01	-	350-600	450	-	4	-	20		6,40
01.TTS.201.00.02	-	400-650	500	-	4	-	20		7,30
01.TTS.201.01.03	01.TTS.201.02.03	650-900	750	395	6	1	20		9,84
01.TTS.201.01.04	01.TTS.201.02.04	900-1150	1000	592	9	1	20		12,69

Middle Lock



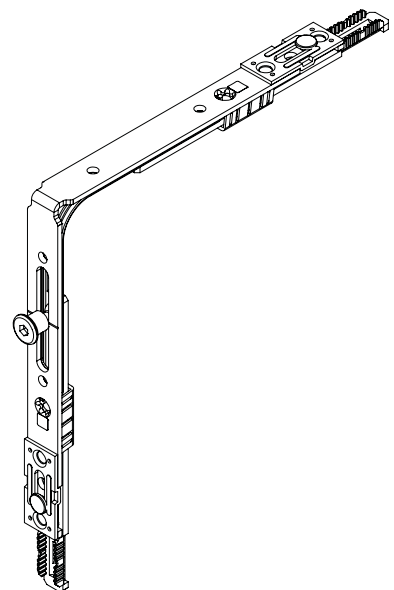
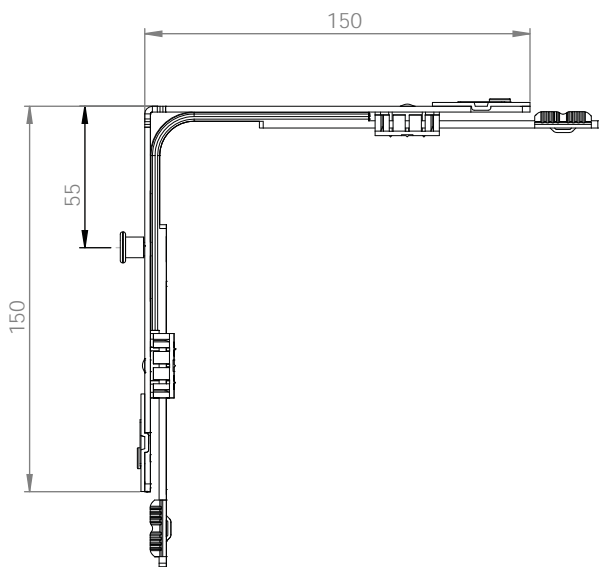
		KB	L	A	B	C	D			Qty.		Kg
01.TTS.300.01.01	01.TTS.300.02.01	280-600	192,5	147,5	-	-	-	1	1	20		1,83
01.TTS.300.01.02	01.TTS.300.02.02	600-850	337,5	295	-	-	-	1	1	20		3,27
01.TTS.300.01.03	01.TTS.300.02.03	850-1150	527	147,5	485	-	-	5	2	20		4,90
01.TTS.300.01.04	01.TTS.300.02.04	850-1400	697,5	147,5	655	-	-	5	2	20		6,20
01.TTS.300.01.05	01.TTS.300.02.05	1150-1400	775	147,5	732,5	-	-	5	2	20		7,75
01.TTS.300.01.06	01.TTS.300.02.06	1300-1650	1025	147,5	485	982	-	8	3	20		9,50
01.TTS.300.01.07	01.TTS.300.02.07	1650-1900	1270,5	147,5	732,5	1228	-	8	3	20		11,85
01.TTS.300.01.08	01.TTS.300.02.07	1900-2200	1672	147,5	732,5	1228	1629	11	4	20		15,50

Corner Drive - 1 Standard Pin (1-ELP) ●



					Qty.	Kg
01.TTS.401.00.01	✓	4	1	100	15,75	

Corner Drive - 1 Security Pin (1-GLP) ●

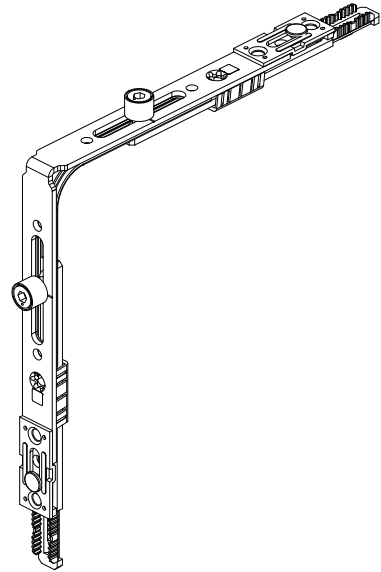
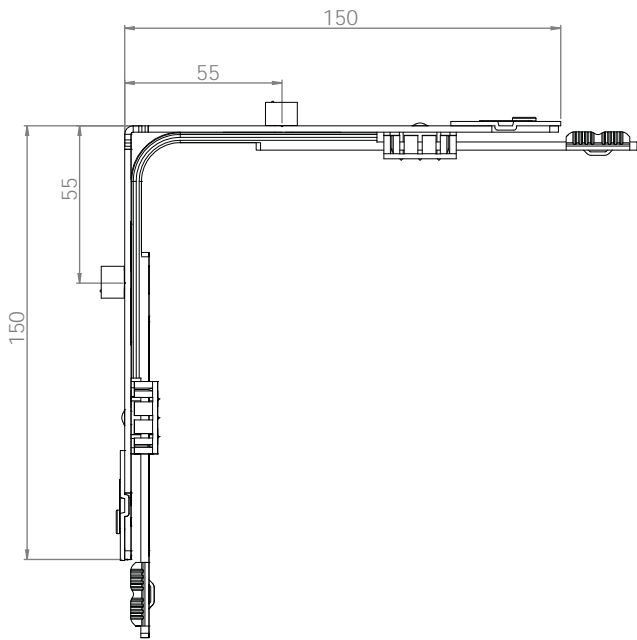



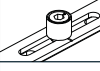



					Qty.	Kg
01.TTS.401.00.02	✓	4	1	100	15,75	

Tilt And Turn Systems

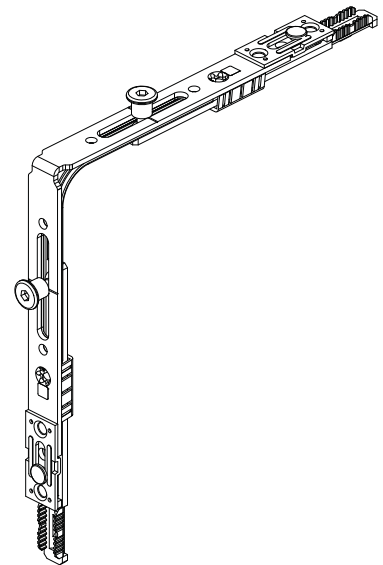
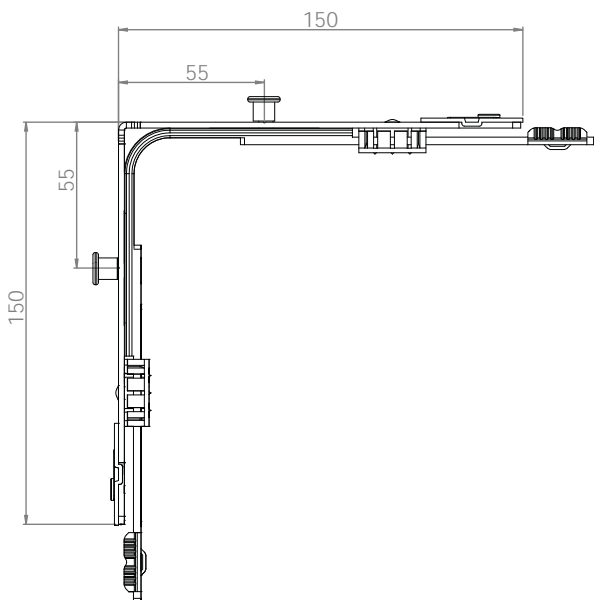
● Corner Drives

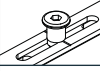



● Corner Drive - 2 Standard Pin (2-ELP)



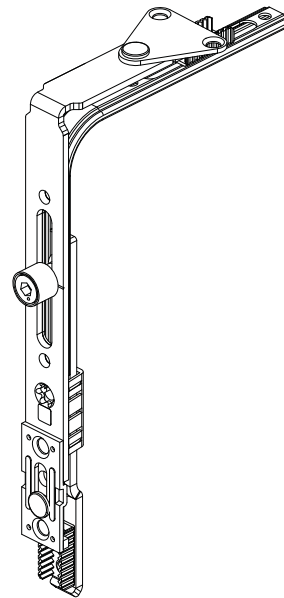
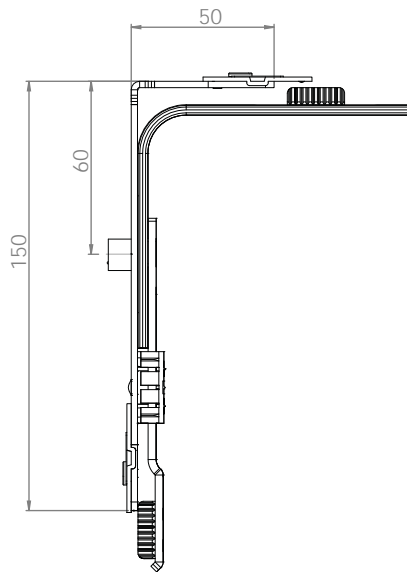
				Qty.		Kg
01.TTS.401.00.11	✓	4	2	100		15,75

● Corner Drive - 2 Security Pin (2-GLP)



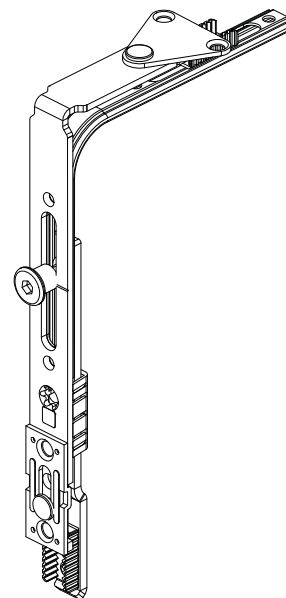
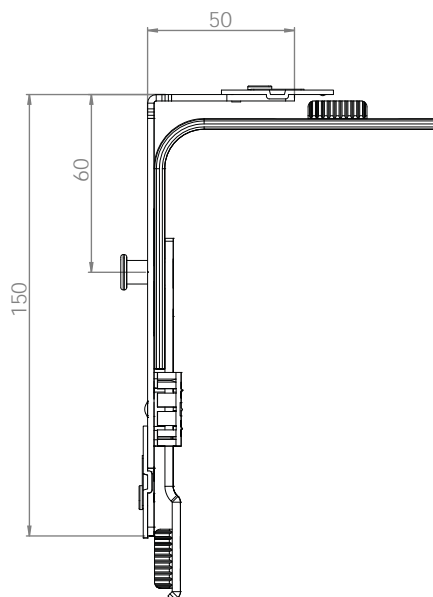
				Qty.		Kg
01.TTS.401.00.22	✓	4	2	100		15,75

Corner Drive Narrow - 1 Standard Pin (1-ELP) ●



					Qty.	Kg
01.TTS.401.01.01	✓	4	1		100	15,75

Corner Drive Narrow - 1 Security Pin (1-GLP) ●

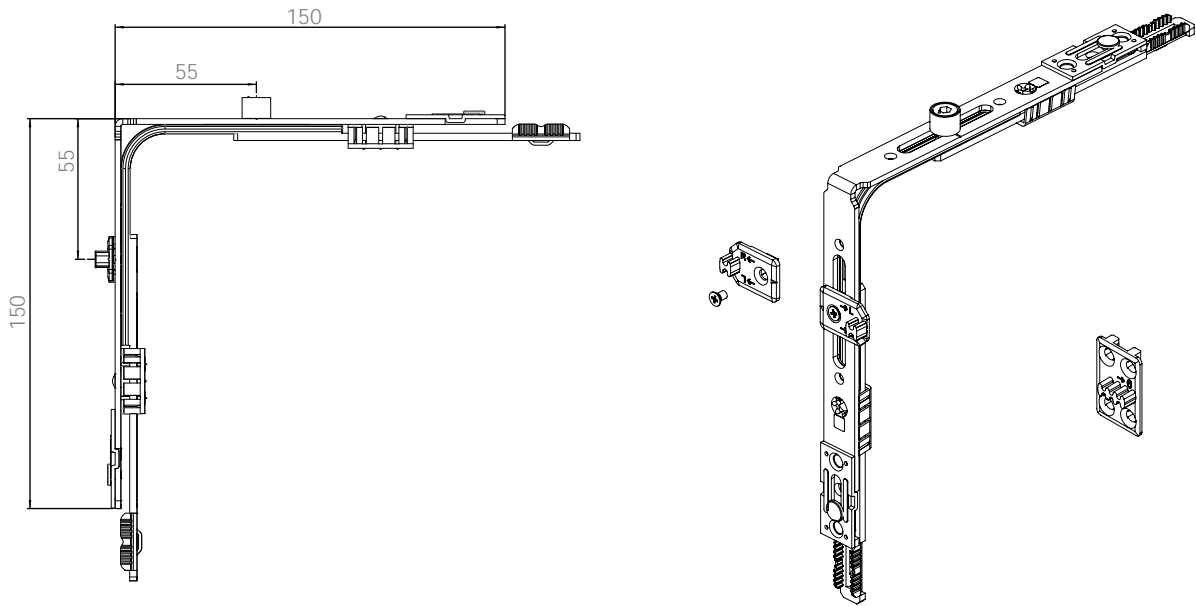


					Qty.	Kg
01.TTS.401.01.02	✓	4	1		100	15,75

Tilt And Turn Systems

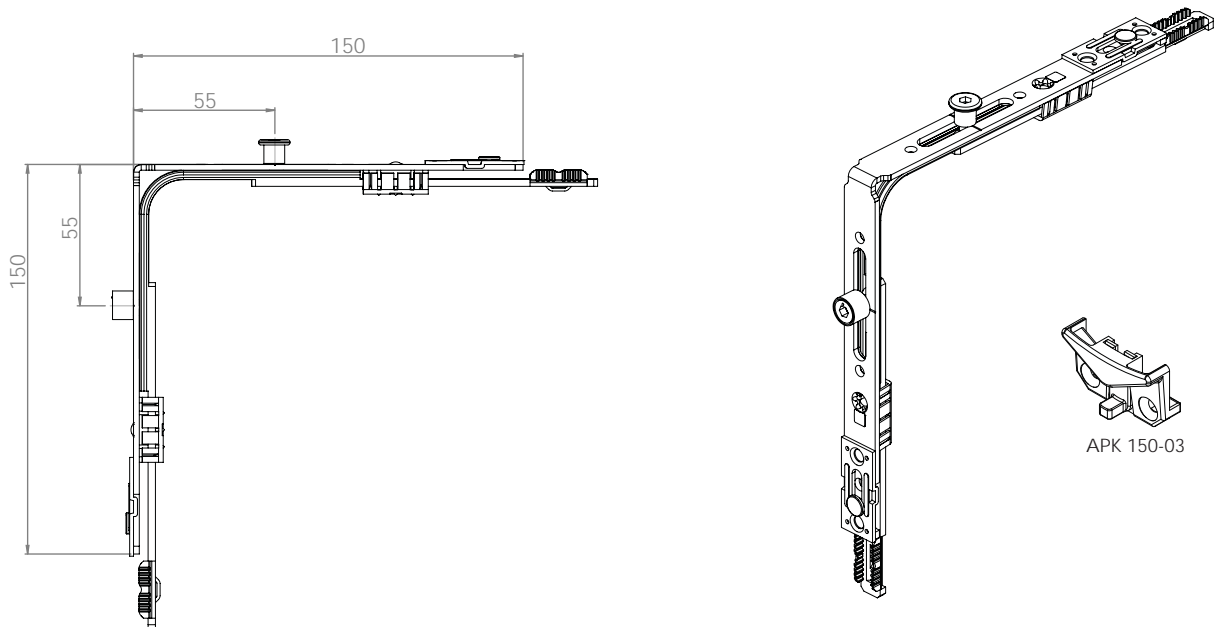
Corner Drives

- Corner Drive Gradual Ventilation - 1 Standard Pin (1-ELP)



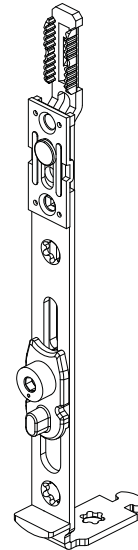
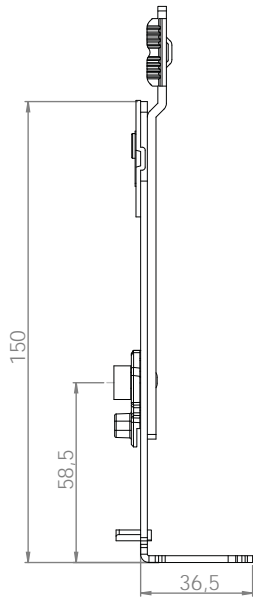
				Qty.		Kg
01.TTS.401.00.13	✓	4	1	100		15,75

- Corner Drive - 1 Standard Pin + 1 Security Pin (1-ELP + 1-GLP)



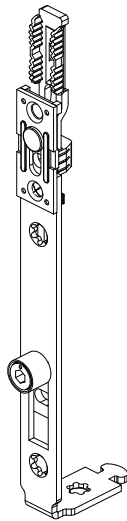
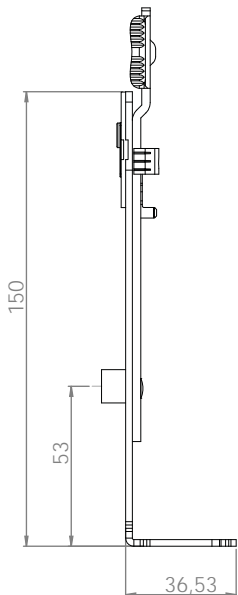
					Qty.		Kg
01.TTS.401.00.13	✓	✓	4	2	100		15,75

Bottom Tilt Lock

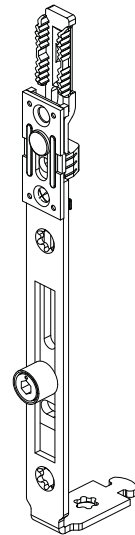
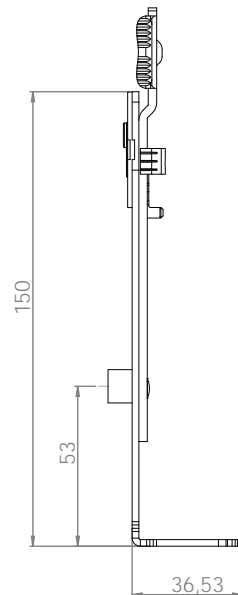


				Qty.	Kg
01.TTS.402.00.00	✓	4	1	100	4,40

Bottom And Top End Lock



ALT 160-02



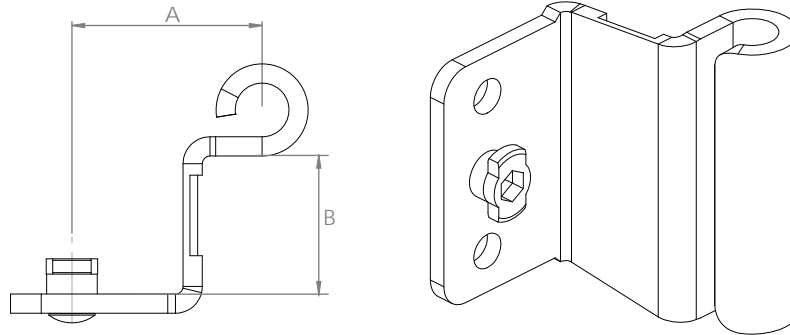
ALT 160-03



				Qty.	Kg
01.TTS.402.01.00	✓	4	1	100	4,40
01.TTS.402.02.00	✓	4	1	100	4,40

Tilt And Turn Systems

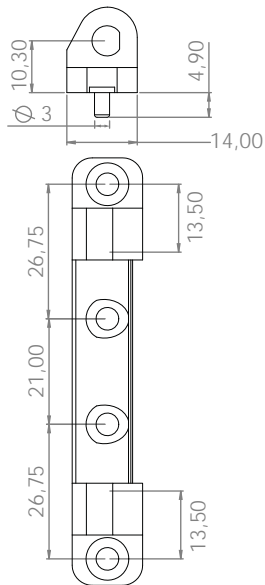
Hinges

Stay Arm Hinge

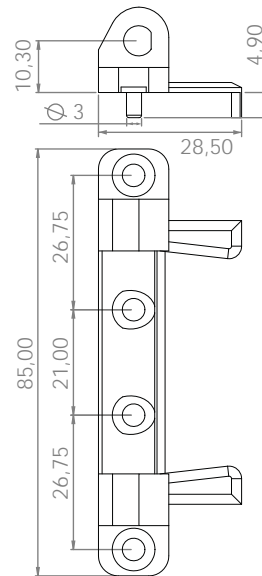


	A	B	Qty. 	Kg
01.TTS.403.01.00	9	20	100	5,71
01.TTS.403.03.00	10	20	100	5,60
01.TTS.403.02.00	13	20	100	5,95
01.TTS.403.04.00	14	20	100	6,00



Stay Arm Bearing And Pin



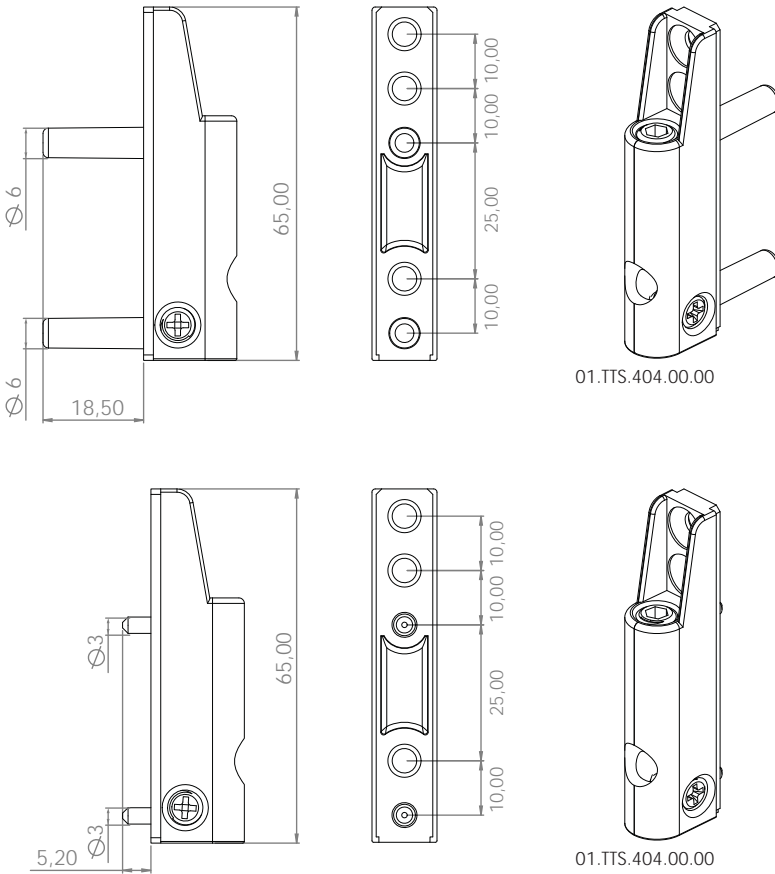
01.TTS.405.01.00



01.TTS.405.00.00

	Qty. 	Kg
01.TTS.405.00.00	100	6,02
01.TTS.405.01.00	100	5,60

Bottom Corner Hinge ●

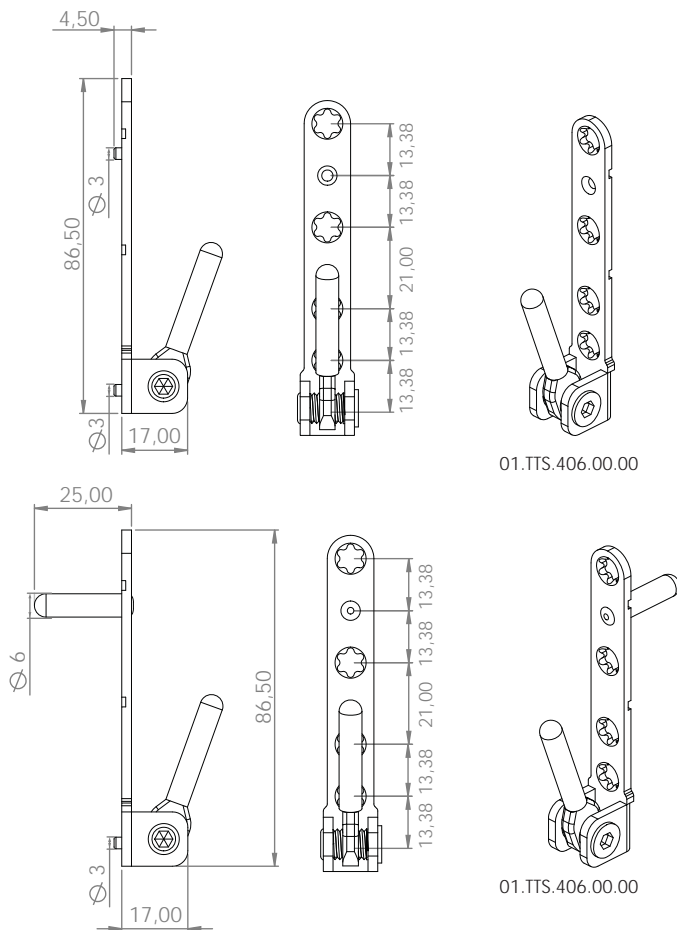


01.TTS.404.00.00

01.TTS.404.01.00

		Qty.	Kg
01.TTS.404.00.00	100	100	3,57
01.TTS.404.01.00	130	100	4,15

Bottom Corner Bearing ●



01.TTS.406.00.00

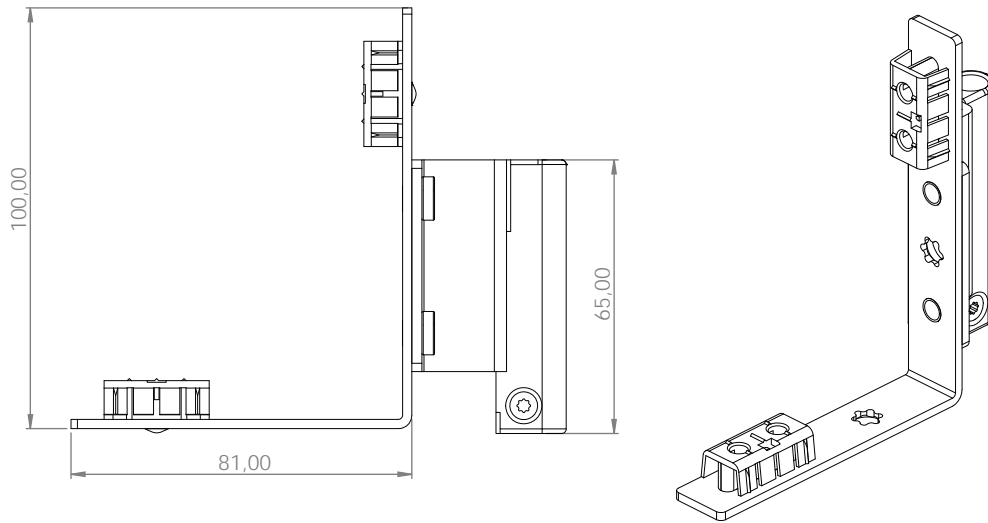
01.TTS.406.01.00



		Qty.	Kg
01.TTS.406.00.00	100	100	3,57
01.TTS.406.01.00	130	100	4,15

Tilt And Turn Systems

Hinges

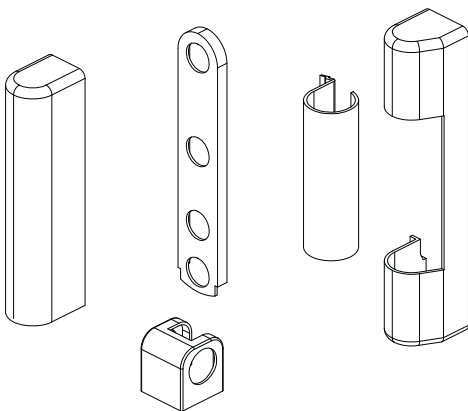
Rebate Hinge



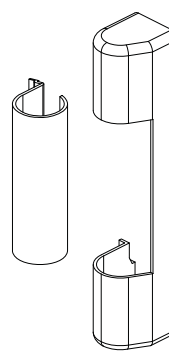
	A	Qty. 	Kg
01.TTS.600.R1.00	13 Right	100	14,7
01.TTS.600.L1.00	13 Left	100	14,7
01.TTS.600.R2.00	9 Right	100	14,7
01.TTS.600.L2.00	9 Left	100	14,7

Hinge Cover Set

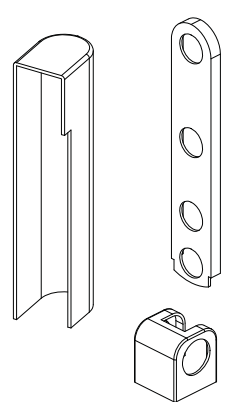
PLK170-01





PLK170-02

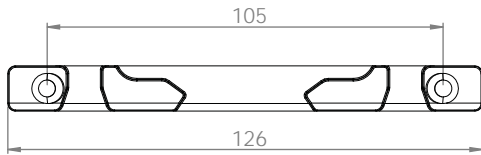


PLK170-03

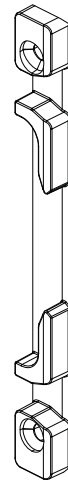


	Qty. 	Kg
01.TTS.408.00.01	100	1,14
01.TTS.408.01.01	100	0,60

Pivot Tilt Locking Plates ●



9 AXIS





10 AXIS



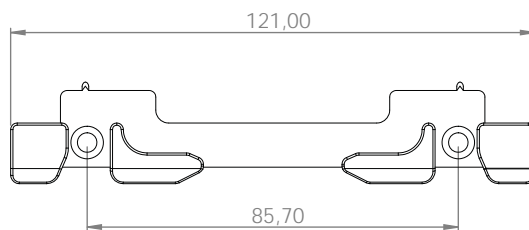
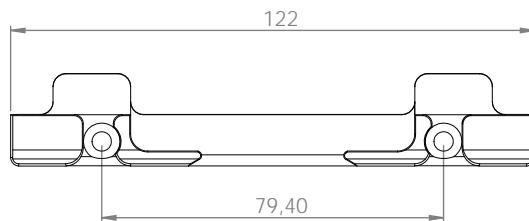
13 AXIS



14 AXIS

	A	Qty. 	Kg
01.TTS.407.11.00	9	100	4,40
01.TTS.407.13.00	10	100	3,85
01.TTS.407.12.00	13	100	4,17
01.TTS.407.14.00	14	100	4,20

Pivot Tilt Locking Plates - For Aluminium ●



9 AXIS



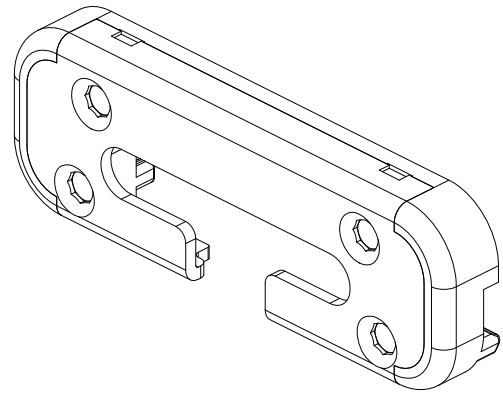
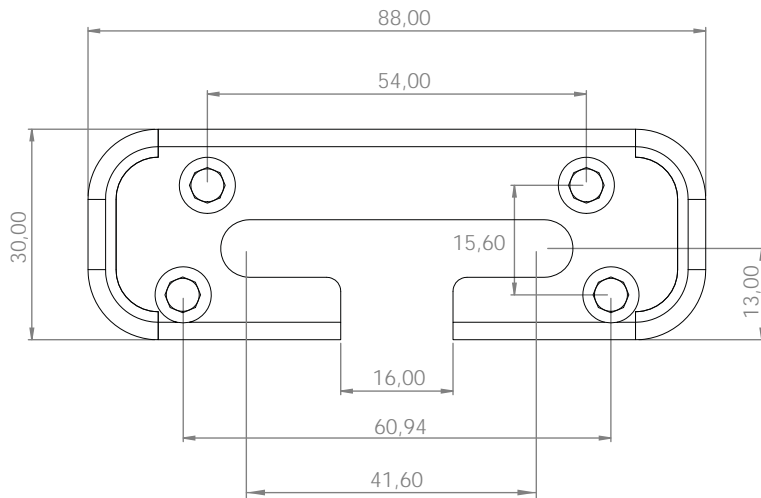
13 AXIS

	Axis	Qty. 	Kg
01.TTS.407.16.00	13	100	4,2
01.TTS.407.15.00	9	100	4,4

Tilt And Turn Systems

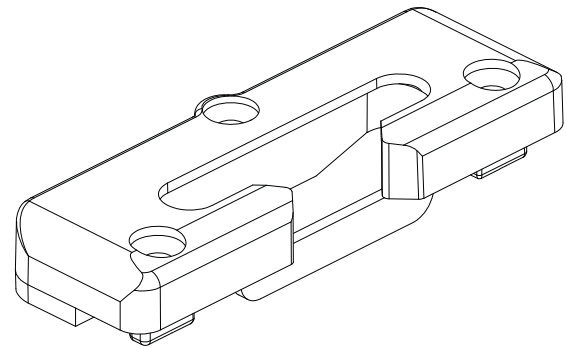
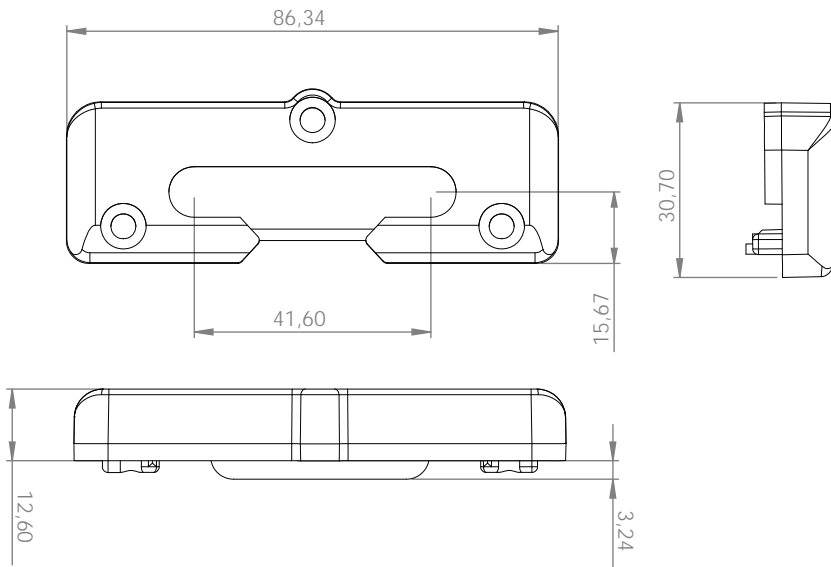
Tilt Locking Plates

Security Tilt Locking Plate - Steel



	Axis	Qty. 	Kg
01.TTS.407.21.00	9	100	4,49
01.TTS.407.22.00	13	100	4,38

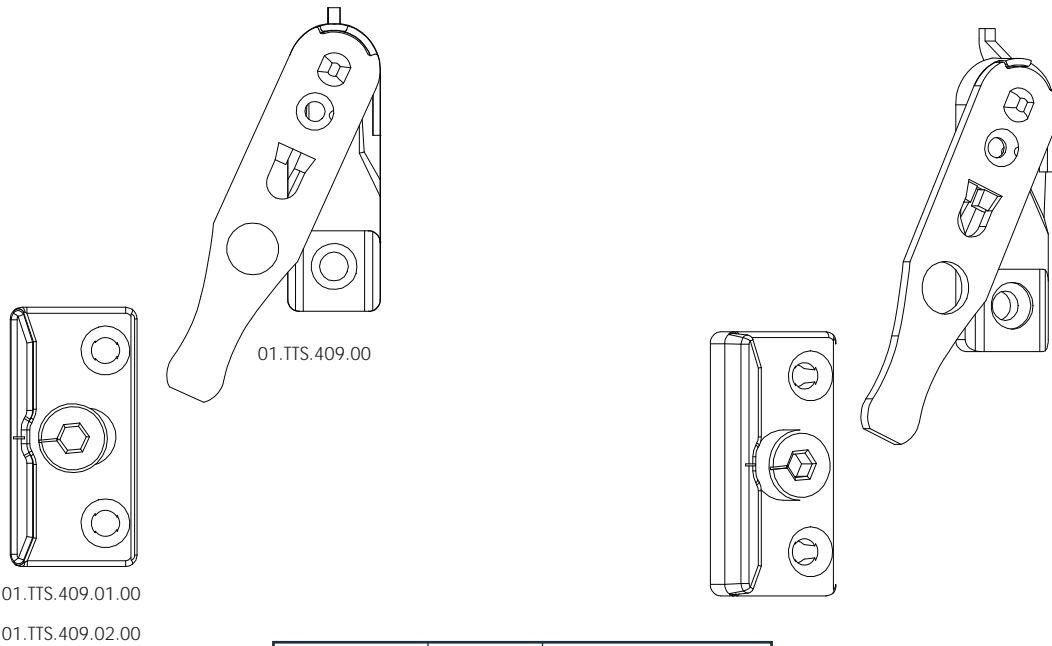
Security Tilt Locking Plate - Zinc





	Axis	Qty. 	Kg
01.TTS.407.32.00	13	100	7,35

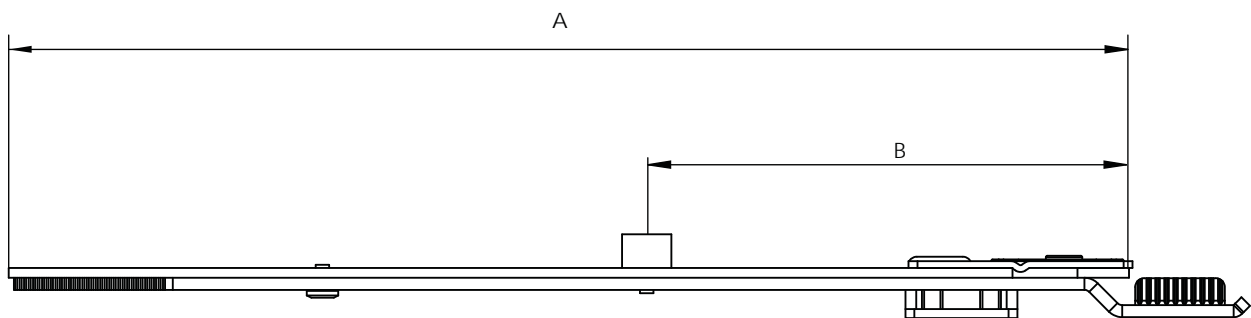
Faulty Usage Blocker & Extension Lock ●



Faulty Usage Blocker & Sash Lifter ●



	Axis	Qty. 	Kg
01.TTS.409.01.00	9	100	2,85
01.TTS.409.02.00	13	100	2,87
01.TTS.409.00.00	-	100	3,42

Extension Gears ●

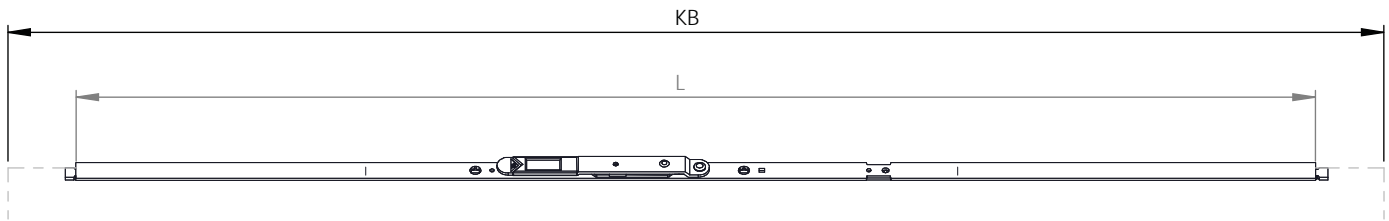





	A	B	Qty. 	Kg
01.TTS.410.01.00	220	81	100	11,15
01.TTS.410.01.01	400	81	100	-

Tilt And Turn Systems

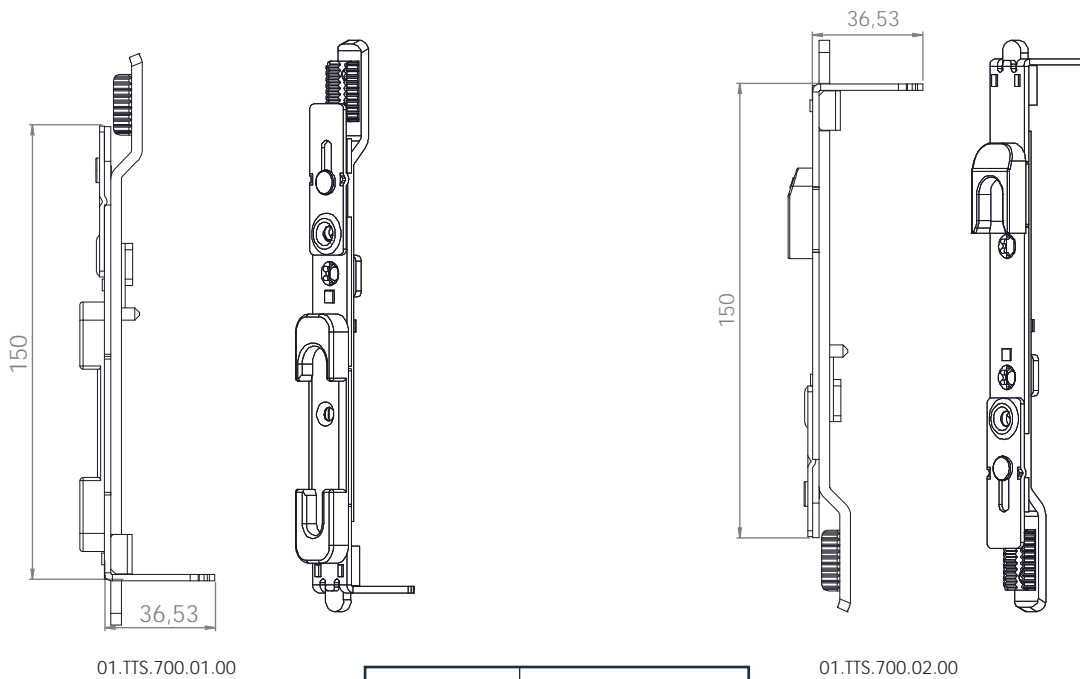
- Double Sash Systems



- Double Sash Espagnollettes



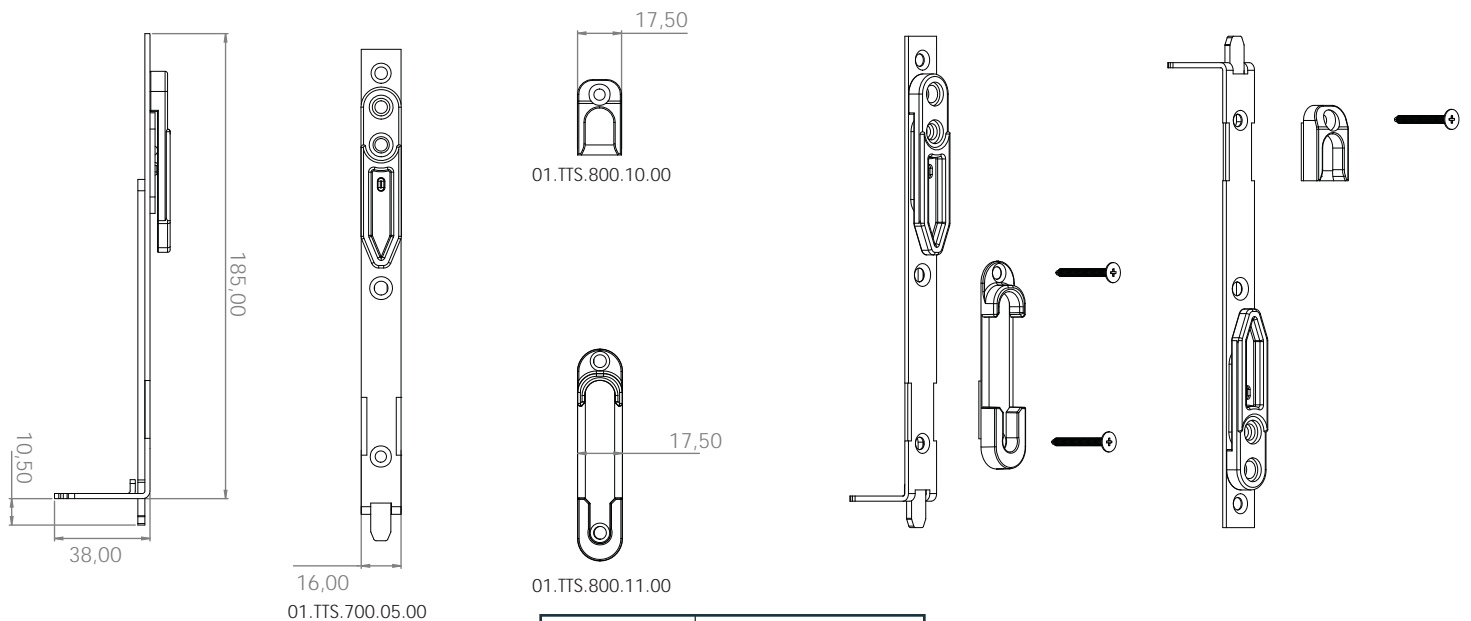
	KB	L		Qty. 	Kg
01.TTS.500.00.01	500-700	400	2	10	2,50
01.TTS.500.00.02	700-1200	900	2	10	5,00
01.TTS.500.00.03	900-1400	1100	2	10	5,75
01.TTS.500.00.04	1200-1700	1400	2	10	7,30
01.TTS.500.00.05	1700-2200	1900	3	10	9,750
01.TTS.500.00.06	1900-2400	2100	3	10	12,00

- Espagnollette Operated Bottom And Top Shootbolt

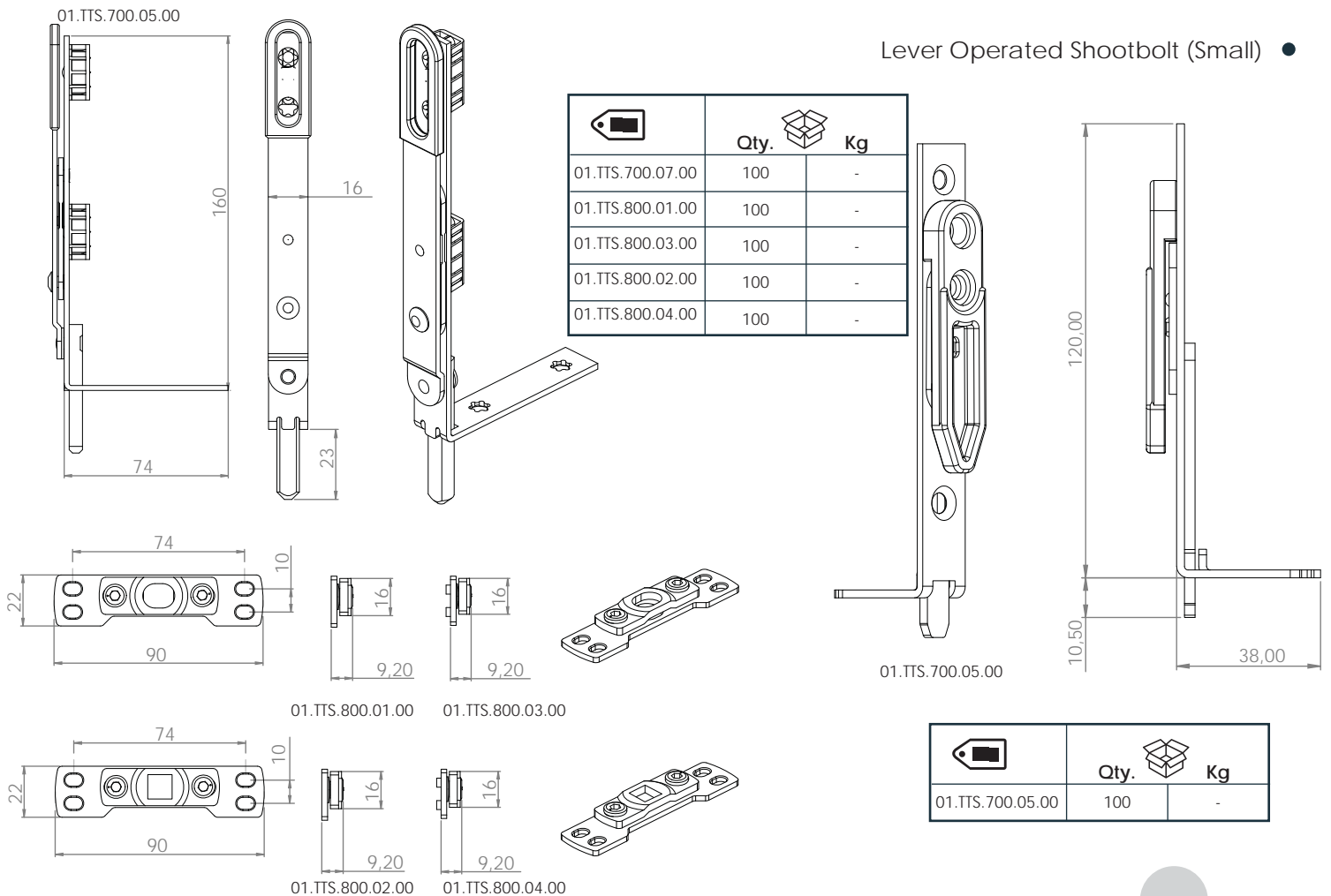


	Qty. 	Kg
01.TTS.700.01.00	100	13,35
01.TTS.700.02.00	100	11,45

Lever Operated Bottom And Top Shootbolt



	Qty.	Kg
01.TTS.700.05.00	100	-
01.TTS.800.10.00	100	-
01.TTS.800.11.00	100	-



	Qty.	Kg
01.TTS.700.07.00	100	-
01.TTS.800.01.00	100	-
01.TTS.800.03.00	100	-
01.TTS.800.02.00	100	-
01.TTS.800.04.00	100	-

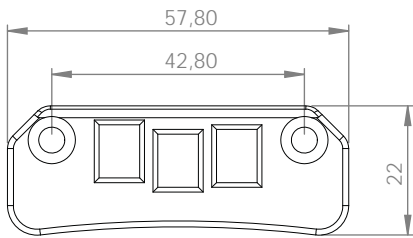
	Qty.	Kg
01.TTS.700.05.00	100	-



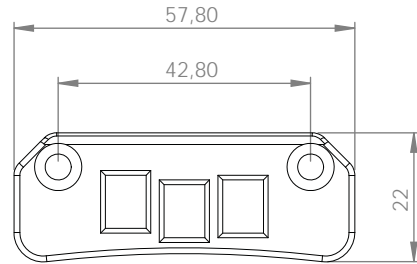
Tilt And Turn Systems

● Double Sash Systems


● Shootbolt Striker



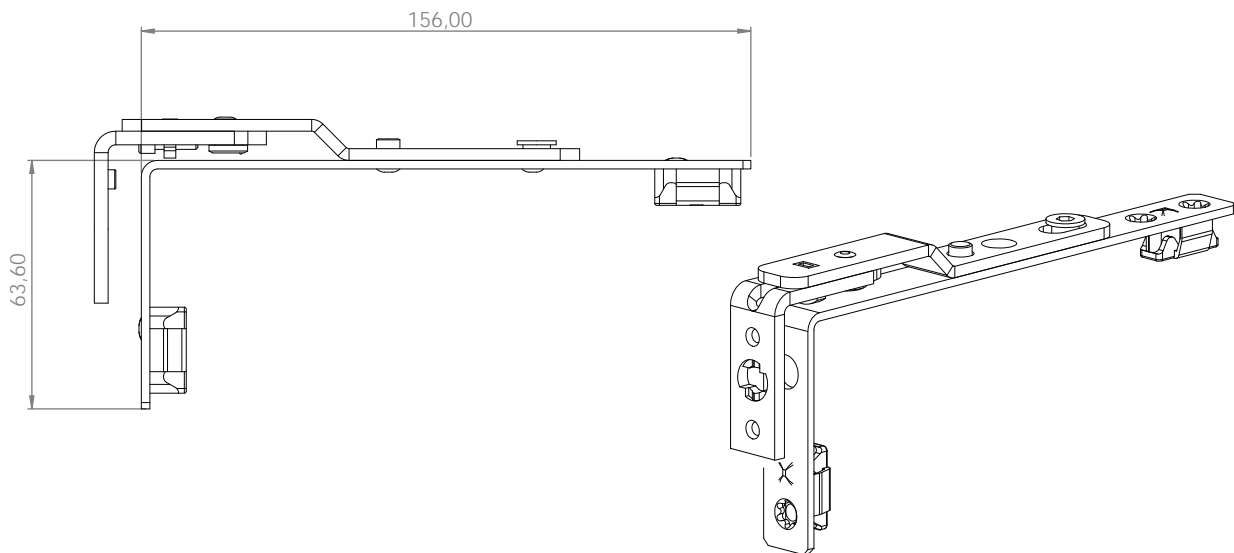
LKK200-01





LKK200-02

	Axis	Qty. 	Kg
01.TTS.800.06.00	9	100	4,49
01.TTS.800.07.00	13	100	4,38

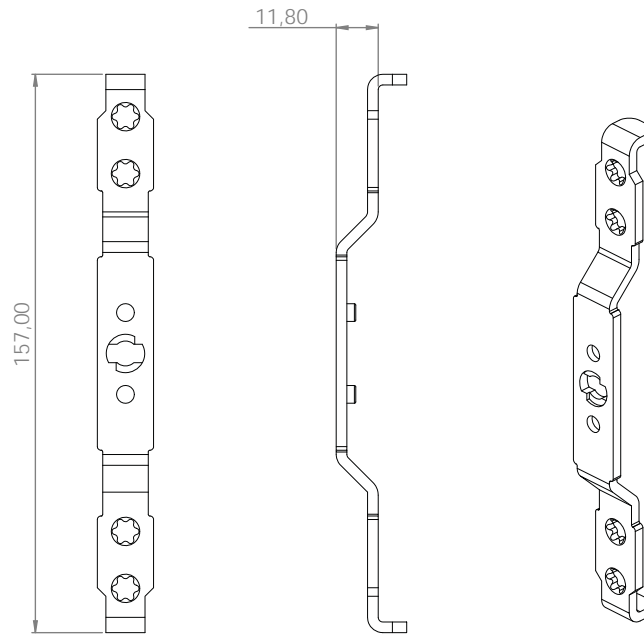
● Side Hung Sash Hinge





	Qty. 	Kg
01.TTS.600.00.00	100	11,080

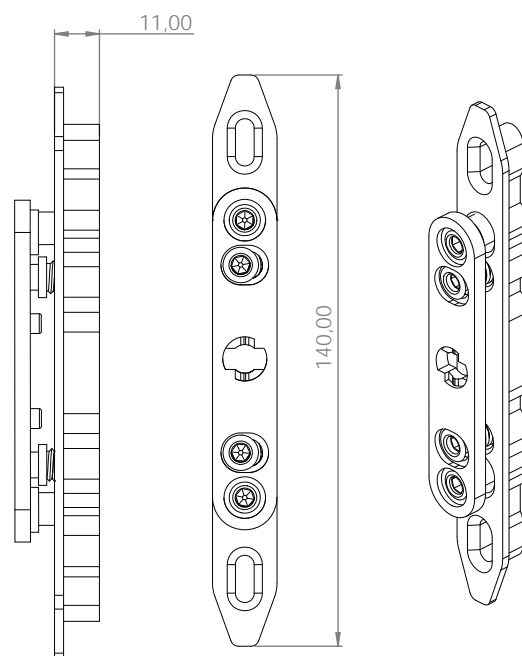
Double Sash Systems ●



Middle Hinge Body ●



	Qty. 	Kg
01.TTS.600.02.00	100	11,080

3D Adj. Middle Hinge Body ●

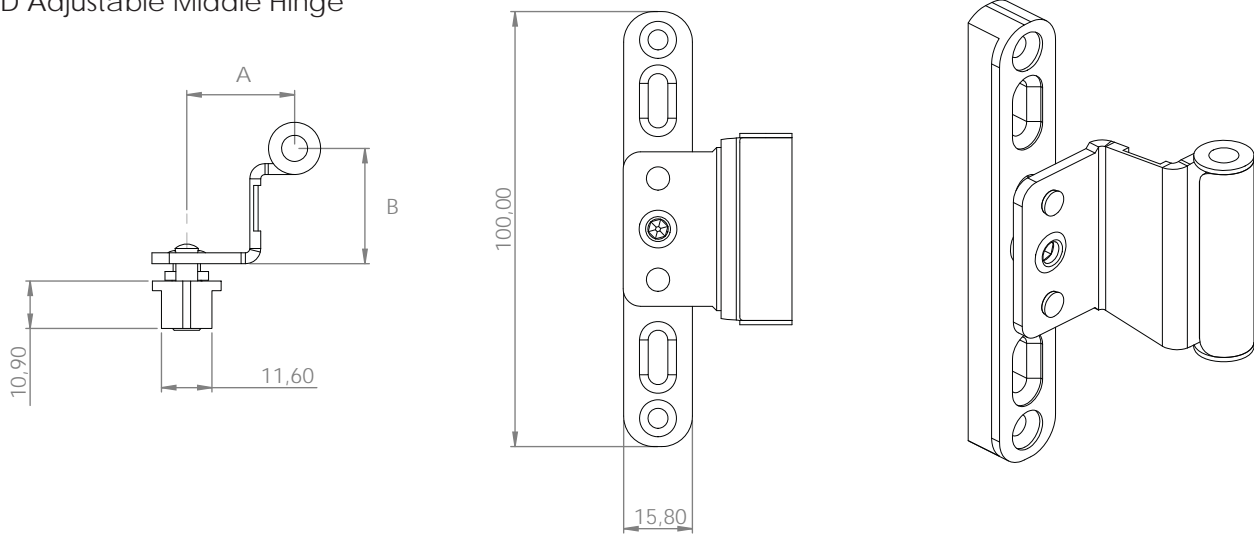


	Qty. 	Kg
01.TTS.600.01.00	100	11,080

Tilt And Turn Systems

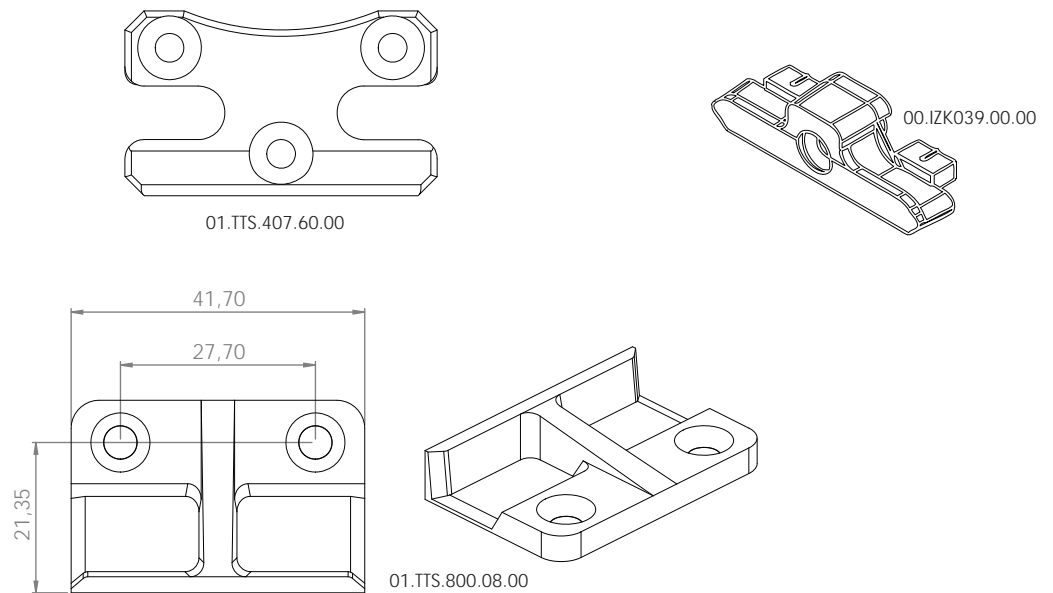
● Double Sash Systems

● 2D Adjustable Middle Hinge



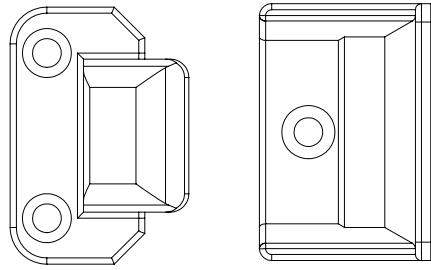
	Axis	Qty.	Kg
01.TTS.600.03.00	-	-	-


● Locking Plates



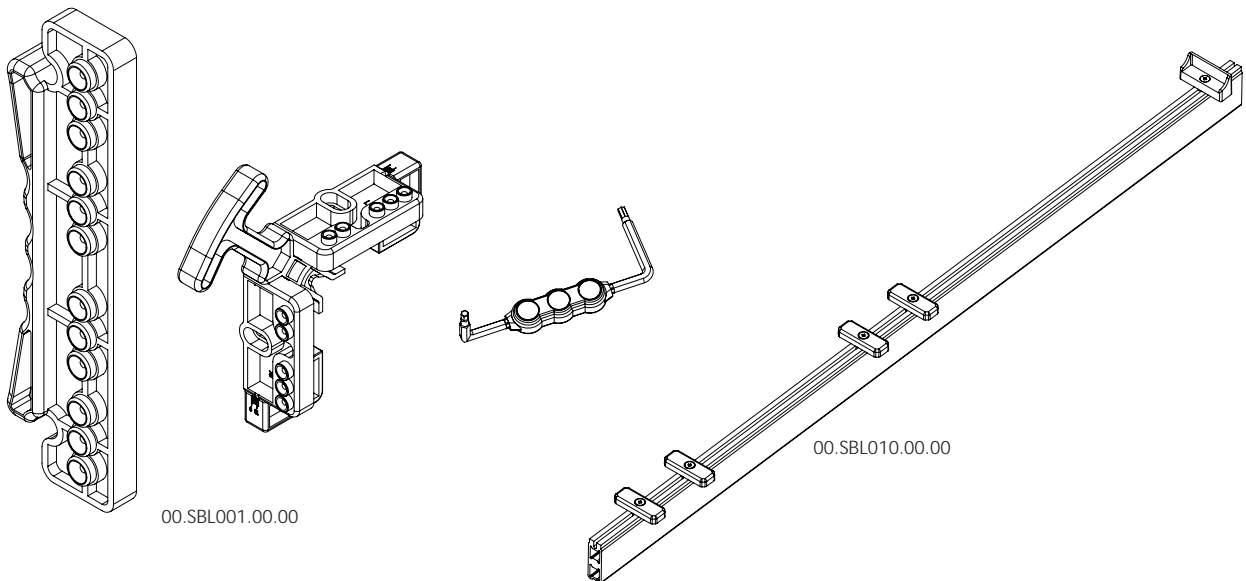
	Axis	Qty.	Kg
01.TTS.407.60.00	13	100	3,89
01.TTS.800.08.00	-	500	10,30
00.IZK039.00.00	13	500	8,30

Gasket Pressure Hinge



	Axis	Qty. 	Kg
01.TTS.600.04.00	9	100	1,715
01.TTS.600.05.00	13	100	1,730

Assembly Instruments





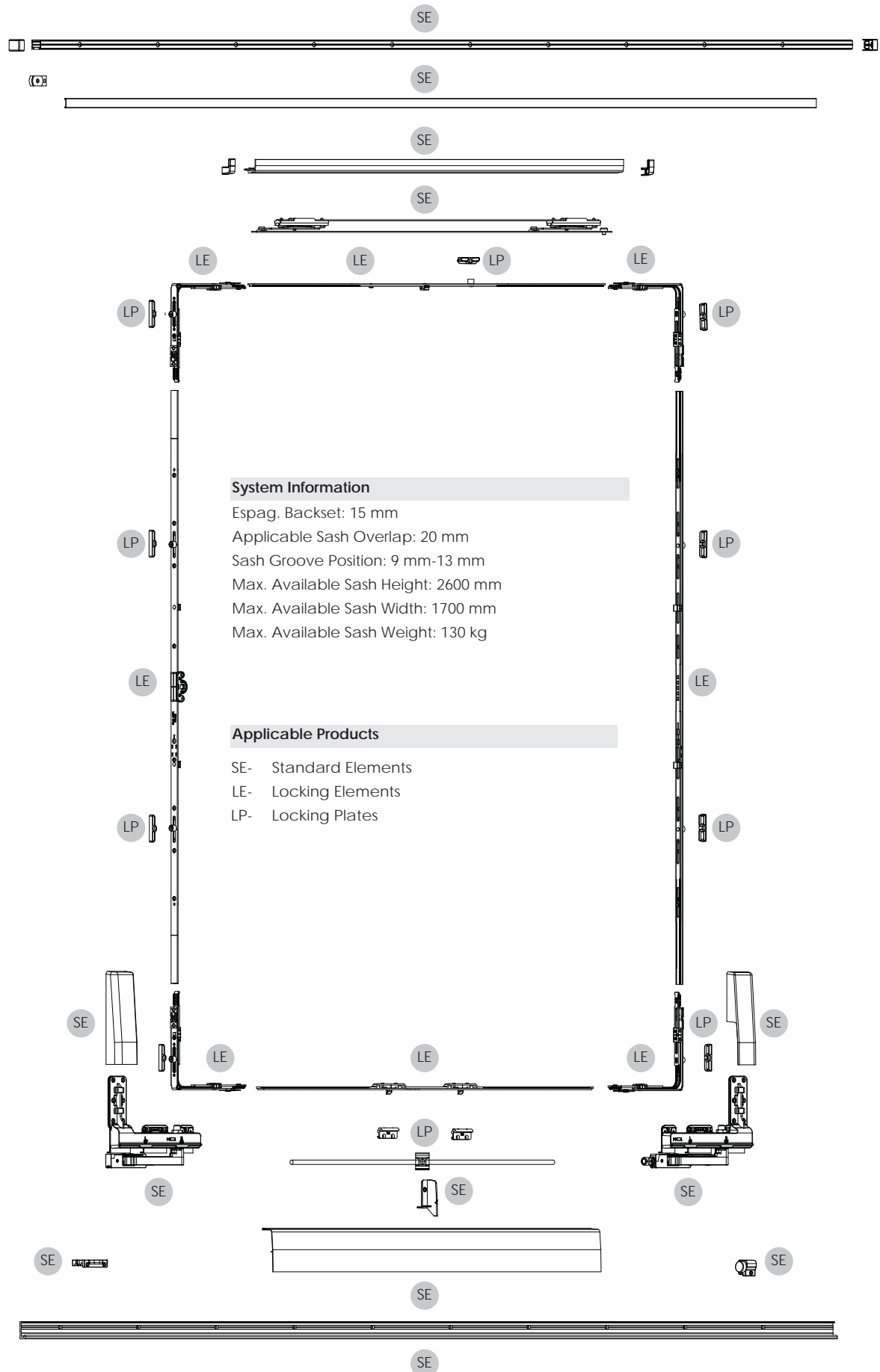


A014

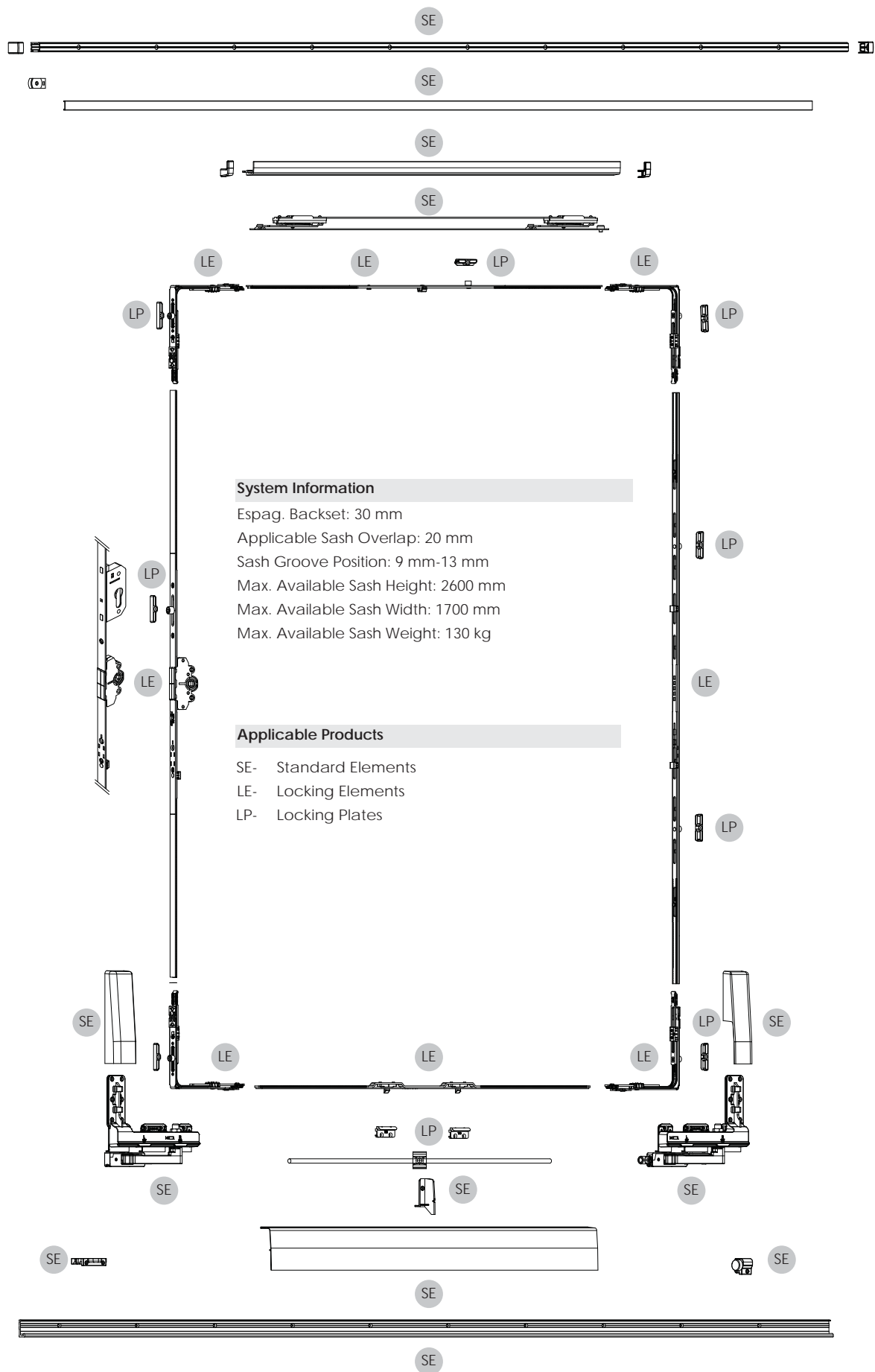
TILT AND SLIDE SYSTEM HANDLE

Tilt And Slide Systems

15 mm Backset Basic Security Level Semi Automatic System

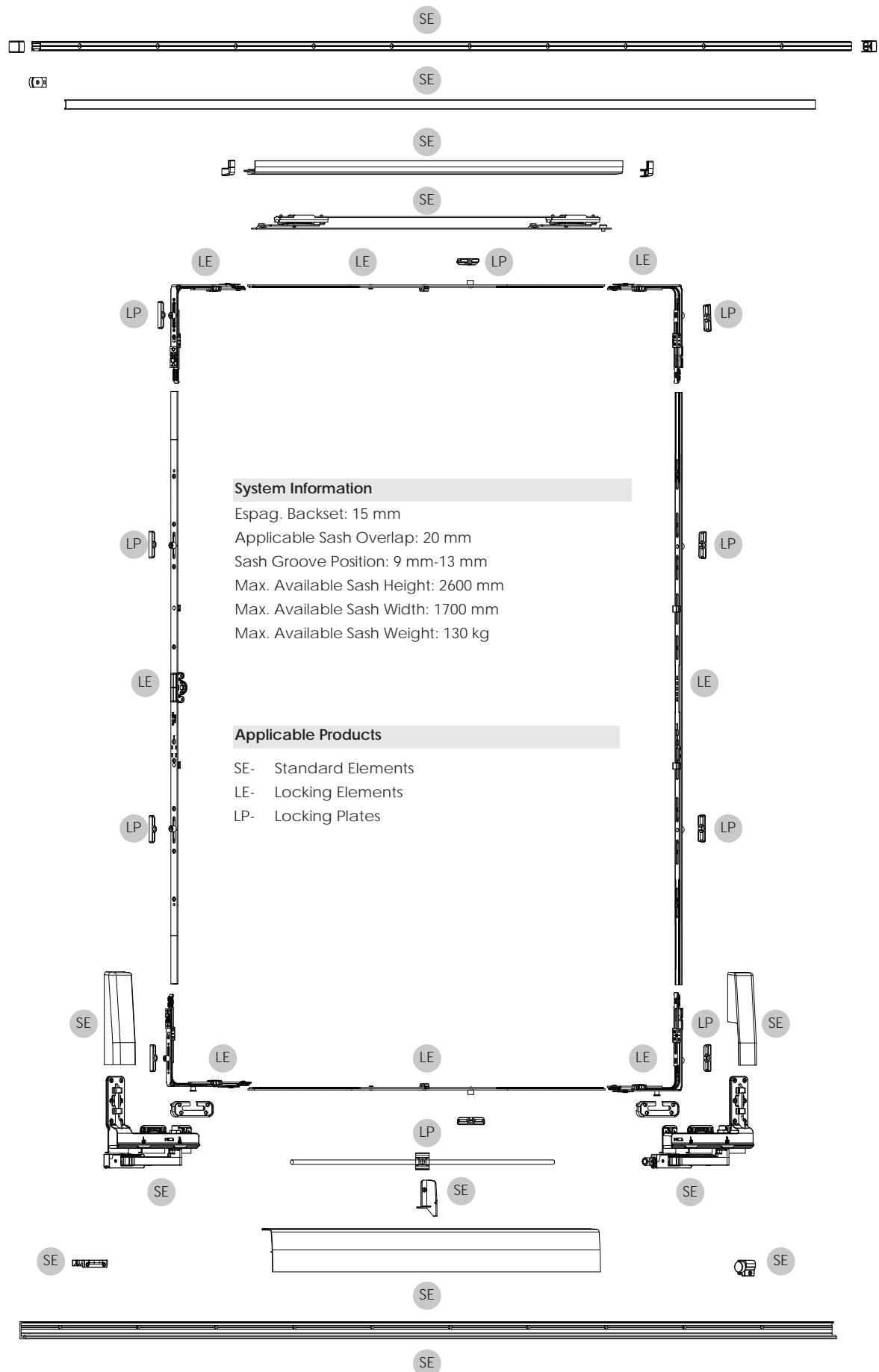


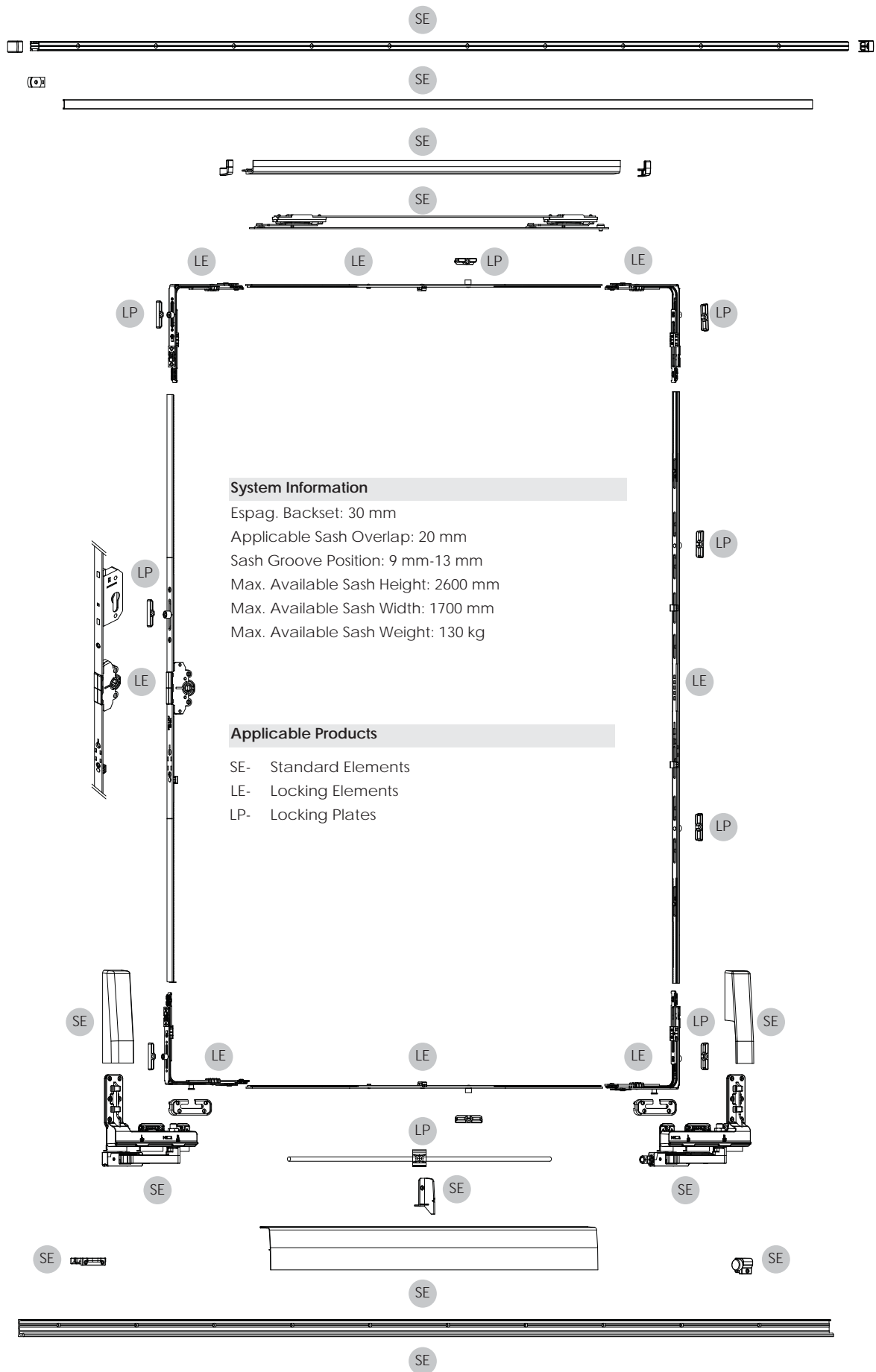
30 mm Backset Basic Security Level Semi Automatic System



Tilt And Slide Systems

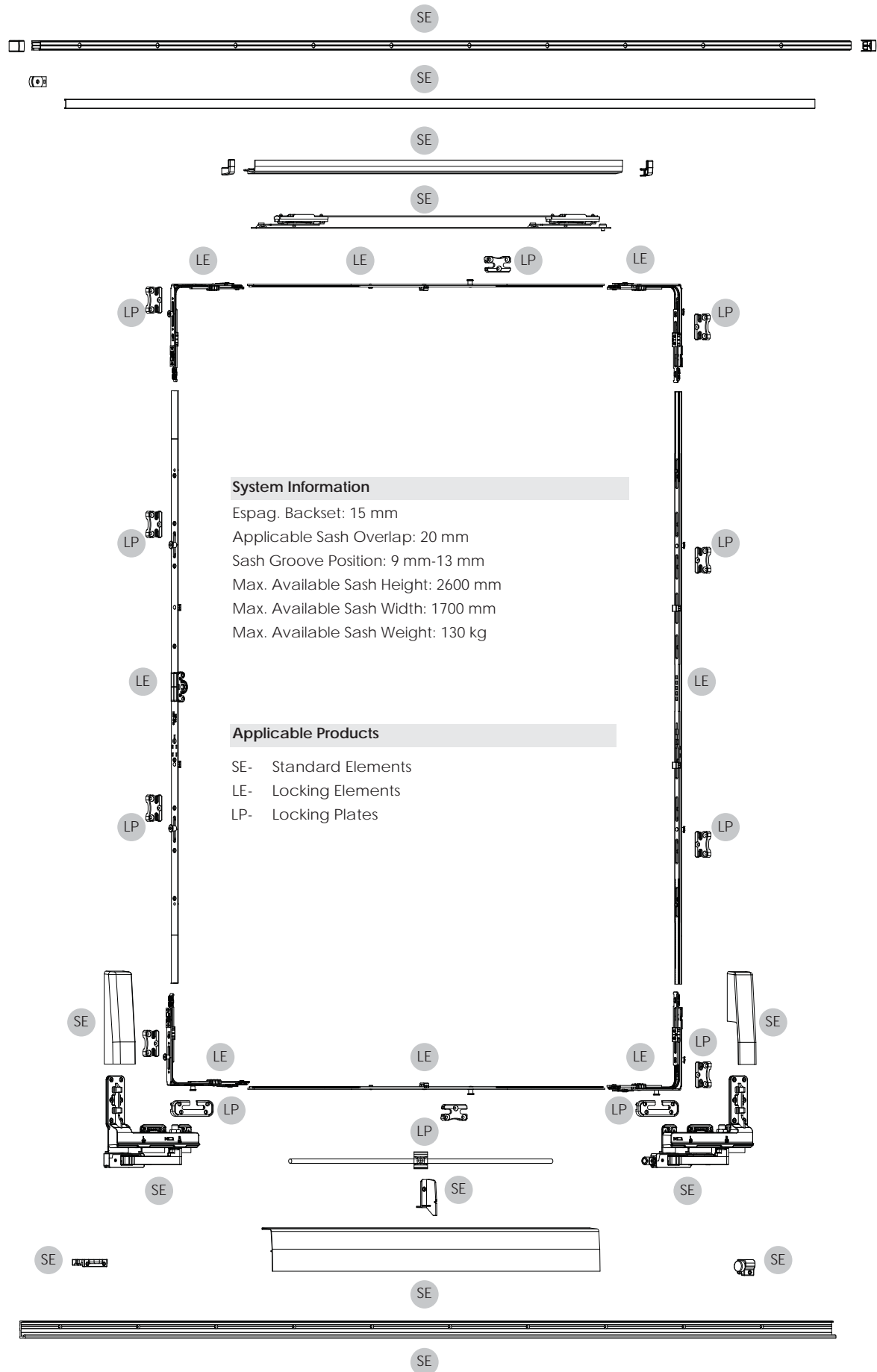
● 15 mm Backset Basic Security Level Manual System

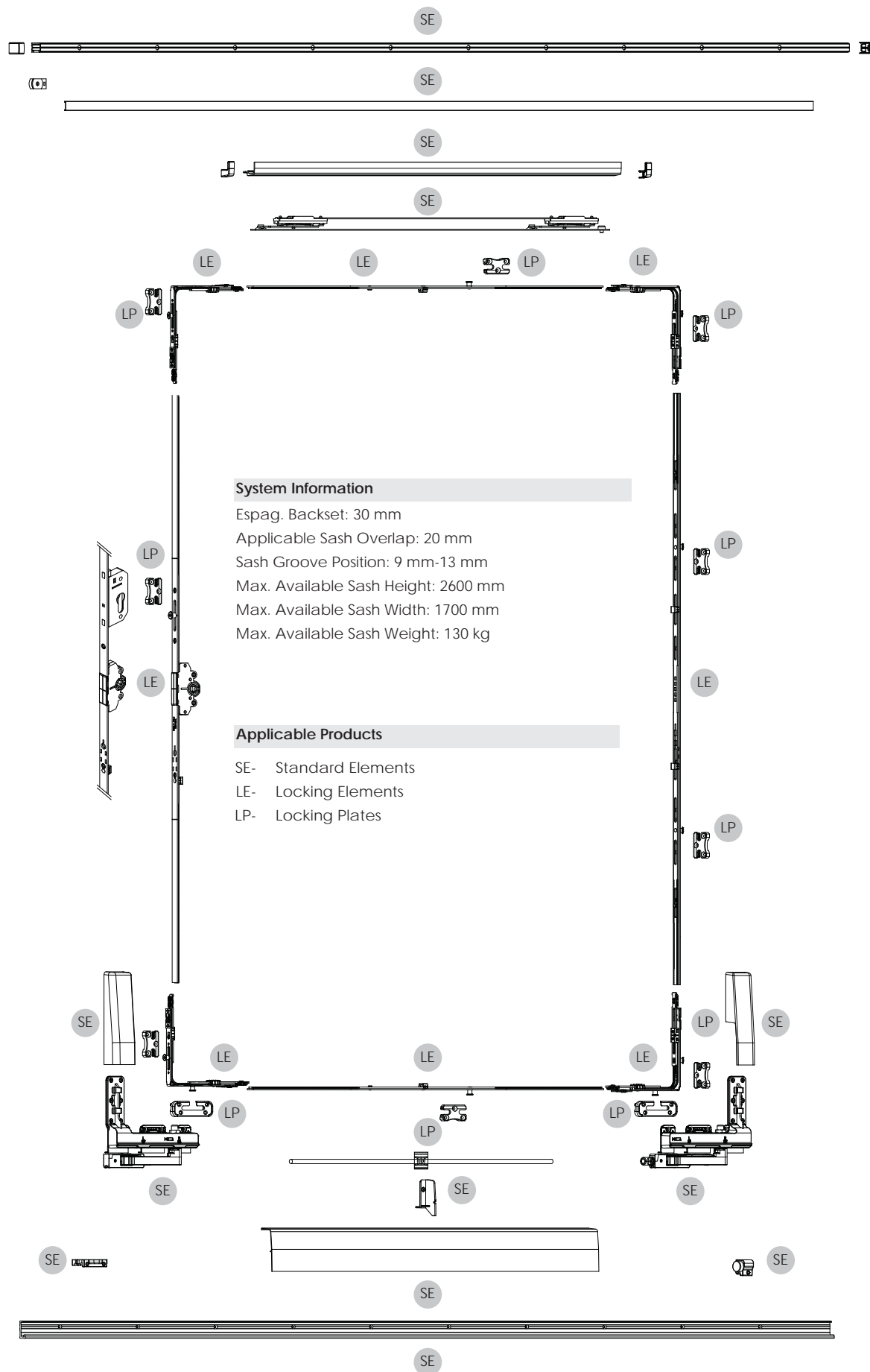




Tilt And Slide Systems

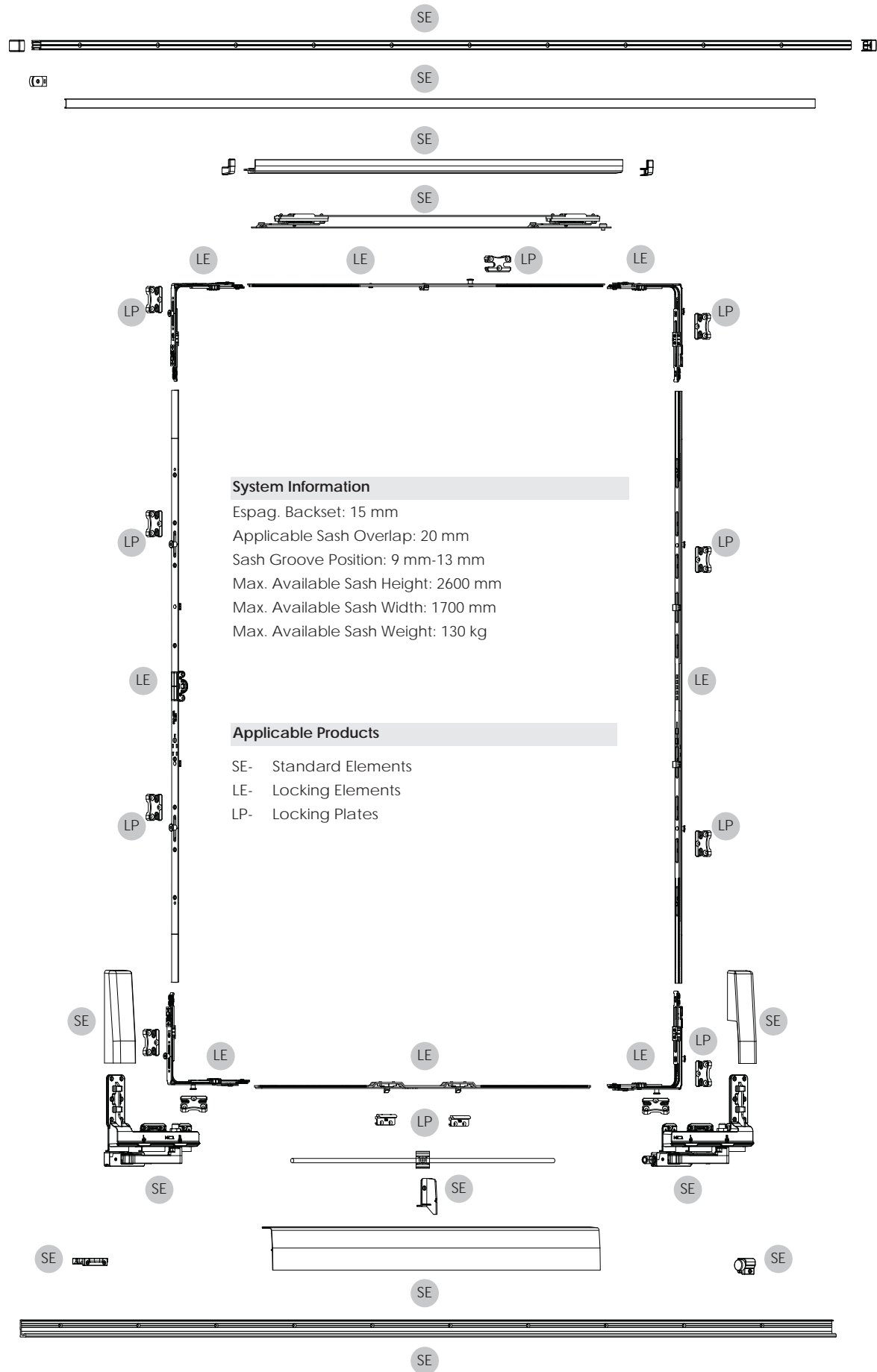
● 15 mm Backset High Security Level Manual System



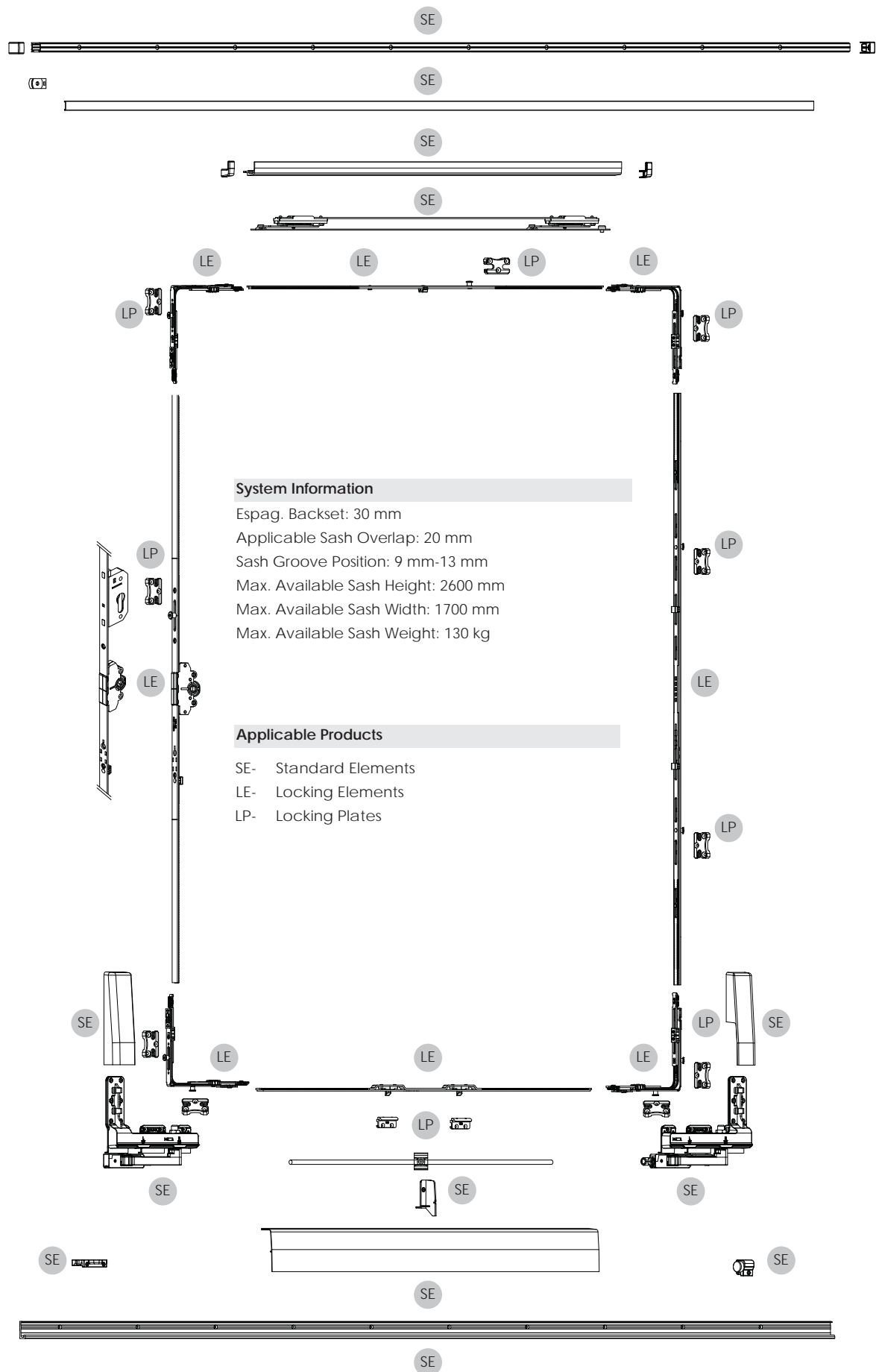


Tilt And Slide Systems

● 15 mm Backset High Security Level Semi Automatic System

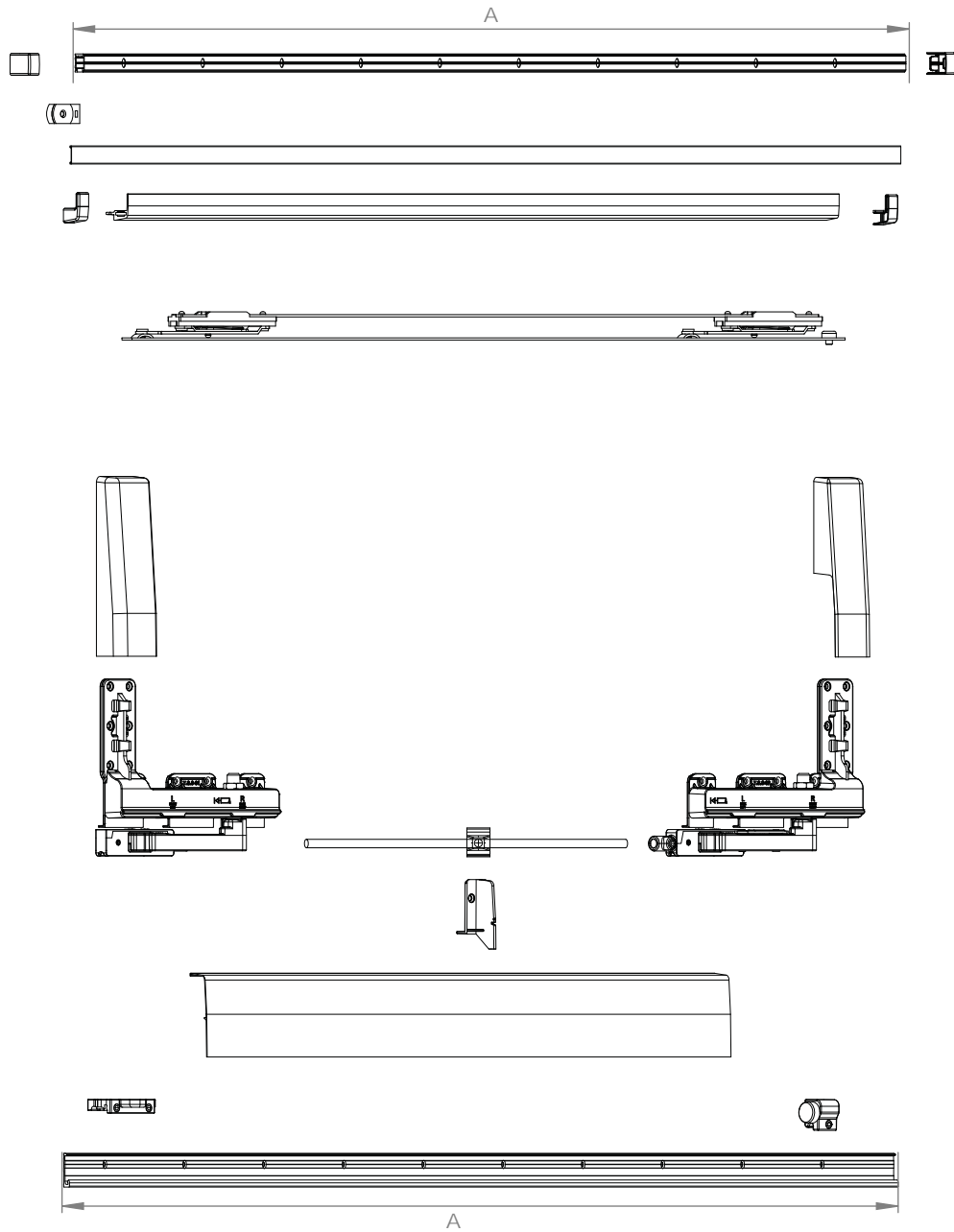




30 mm Backset High Security Level Semi Automatic System

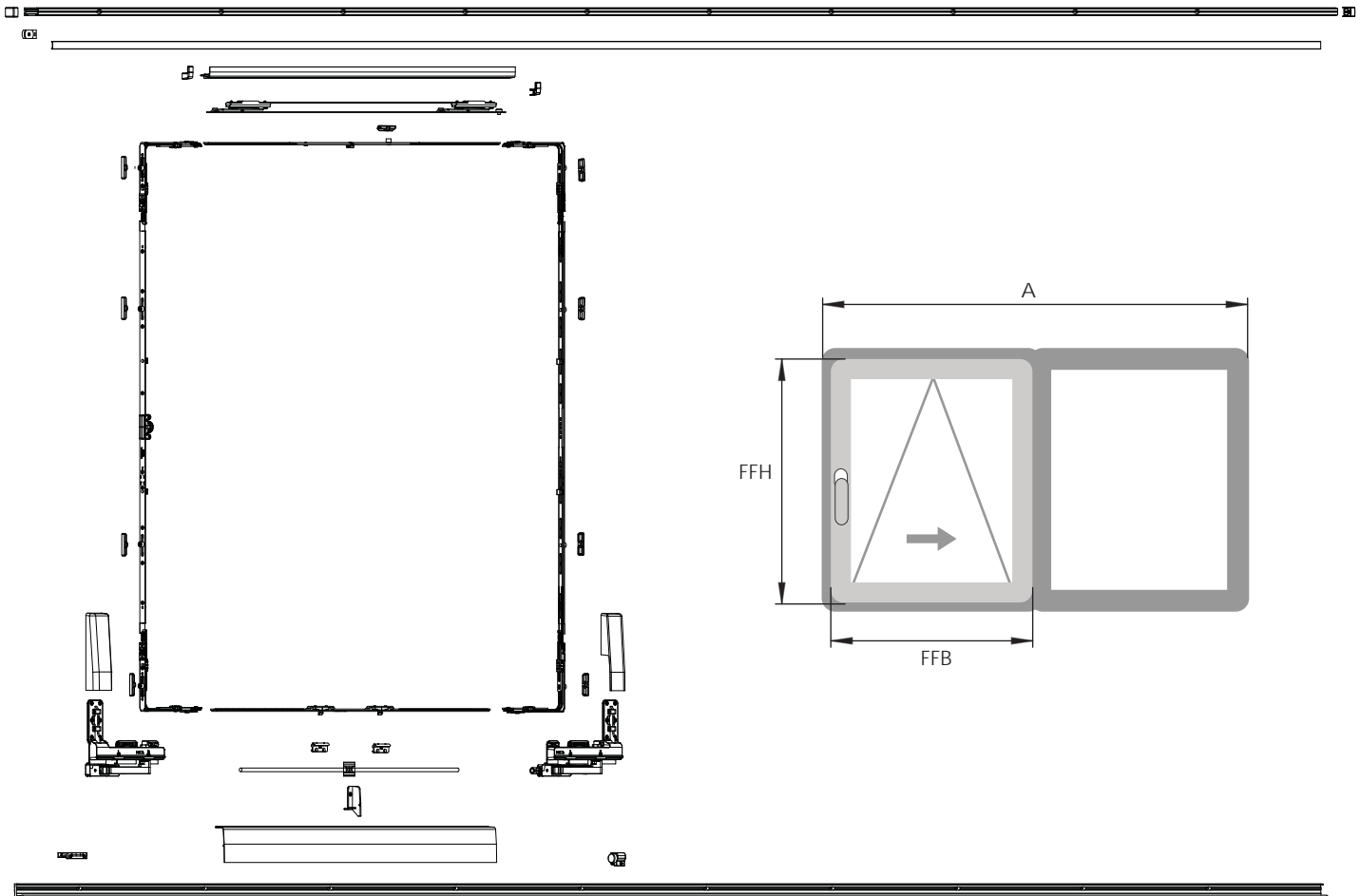


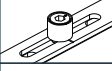
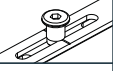

Tilt And Slide Systems

- Classic Tilt And Slide System



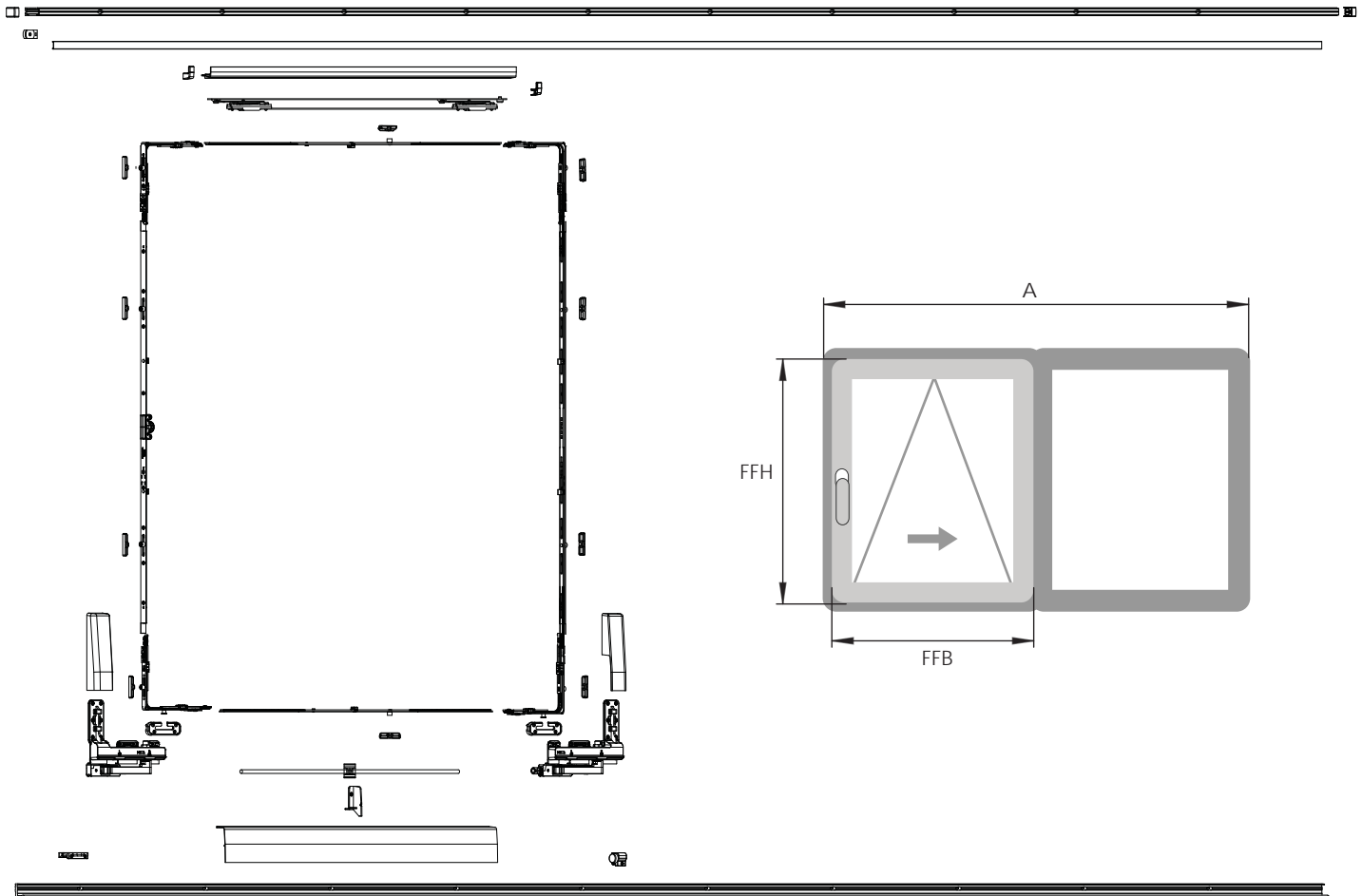
A		Qty. 	Kg
1930	TSS.K 1000	1	5,05
2630	TSS.K 1250	1	5,85
3430	TSS.K 1650	1	7,05

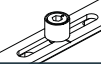
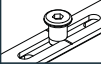



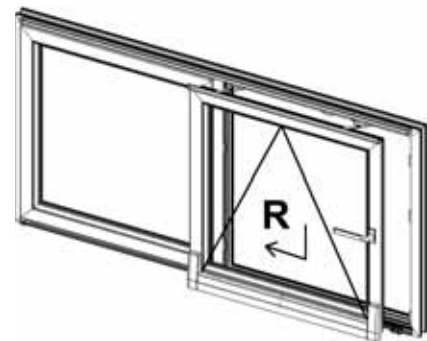
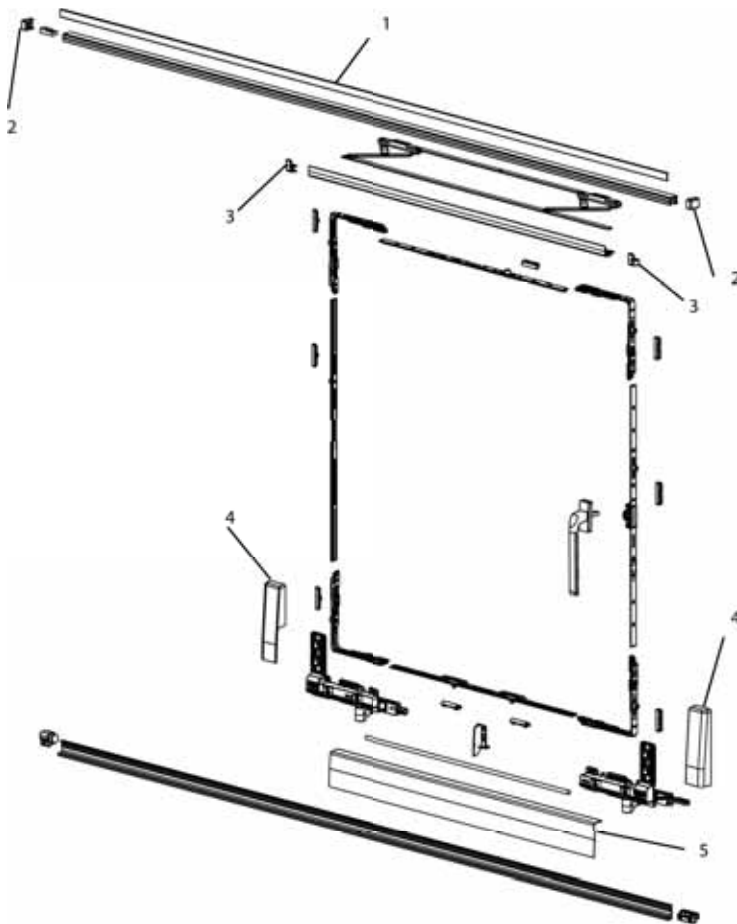
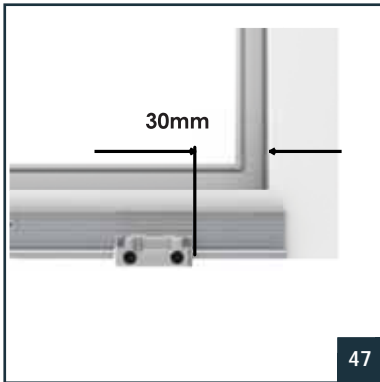
A	FFB	FFH			Qty. 	Kg
1930	600 - 900	700 - 1200	TSS 1930-A	TSSE 1930-A	1	-
		900 - 1400	TSS 1930-B	TSSE 1930-B	1	-
		1200 - 1700	TSS 1930-C	TSSE 1930-C	1	-
		1700 - 2200	TSS 1930-D	TSSE 1930-D	1	-
		1900 - 2400	TSS 1930-E	TSSE 1930-E	1	-
2630	900 - 1200	700 - 1200	TSS 2630-A	TSSE 2630-A	1	-
		900 - 1400	TSS 2630-B	TSSE 2630-B	1	-
		1200 - 1700	TSS 2630-C	TSSE 2630-C	1	-
		1700 - 2200	TSS 2630-D	TSSE 2630-D	1	-
		1900 - 2400	TSS 2630-E	TSSE 2630-E	1	-
3430	1200 - 1500	700 - 1200	TSS 3430-F	TSSE 3430-F	1	-
		900 - 1400	TSS 3430-G	TSSE 3430-G	1	-
		1200 - 1700	TSS 3430-H	TSSE 3430-H	1	-
		1700 - 2200	TSS 3430-K	TSSE 3430-K	1	-
		1900 - 2400	TSS 3430-L	TSSE 3430-L	1	-
	1500 - 1700	700 - 1200	TSS 3430-A	TSSE 3430-A	1	-
		900 - 1400	TSS 3430-B	TSSE 3430-B	1	-
		1200 - 1700	TSS 3430-C	TSSE 3430-C	1	-
		1700 - 2200	TSS 3430-D	TSSE 3430-D	1	-
		1900 - 2400	TSS 3430-E	TSSE 3430-E	1	-

Tilt And Slide Systems

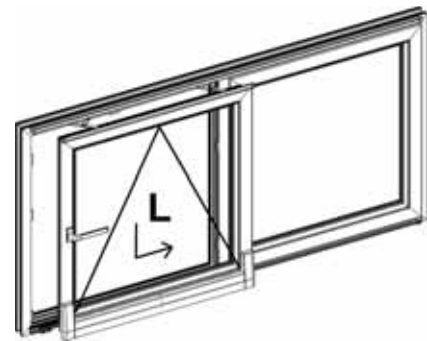
Manual Tilt And Slide Systems



A	FFB	FFH			Qty. 	Kg
1930	600 - 900	700 - 1200	TSS 1930-M	TSSE 1930-M	1	-
		900 - 1400	TSS 1930-N	TSSE 1930-N	1	-
		1200 - 1700	TSS 1930-O	TSSE 1930-O	1	-
		1700 - 2200	TSS 1930-P	TSSE 1930-P	1	-
		1900 - 2400	TSS 1930-R	TSSE 1930-R	1	-
2630	900 - 1200	700 - 1200	TSS 2630-M	TSSE 2630-M	1	-
		900 - 1400	TSS 2630-N	TSSE 2630-N	1	-
		1200 - 1700	TSS 2630-O	TSSE 2630-O	1	-
		1700 - 2200	TSS 2630-P	TSSE 2630-P	1	-
		1900 - 2400	TSS 2630-R	TSSE 2630-R	1	-
3430	1200 - 1500	700 - 1200	TSS 3430-S	TSSE 3430-S	1	-
		900 - 1400	TSS 3430-T	TSSE 3430-T	1	-
		1200 - 1700	TSS 3430-U	TSSE 3430-U	1	-
		1700 - 2200	TSS 3430-V	TSSE 3430-V	1	-
		1900 - 2400	TSS 3430-Y	TSSE 3430-Y	1	-
	1500 - 1700	700 - 1200	TSS 3430-M	TSSE 3430-M	1	-
		900 - 1400	TSS 3430-N	TSSE 3430-N	1	-
		1200 - 1700	TSS 3430-O	TSSE 3430-O	1	-
		1700 - 2200	TSS 3430-P	TSSE 3430-P	1	-
		1900 - 2400	TSS 3430-R	TSSE 3430-R	1	-



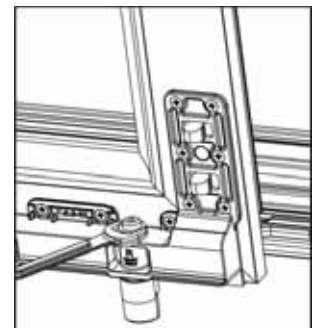
RIGHT DOOR



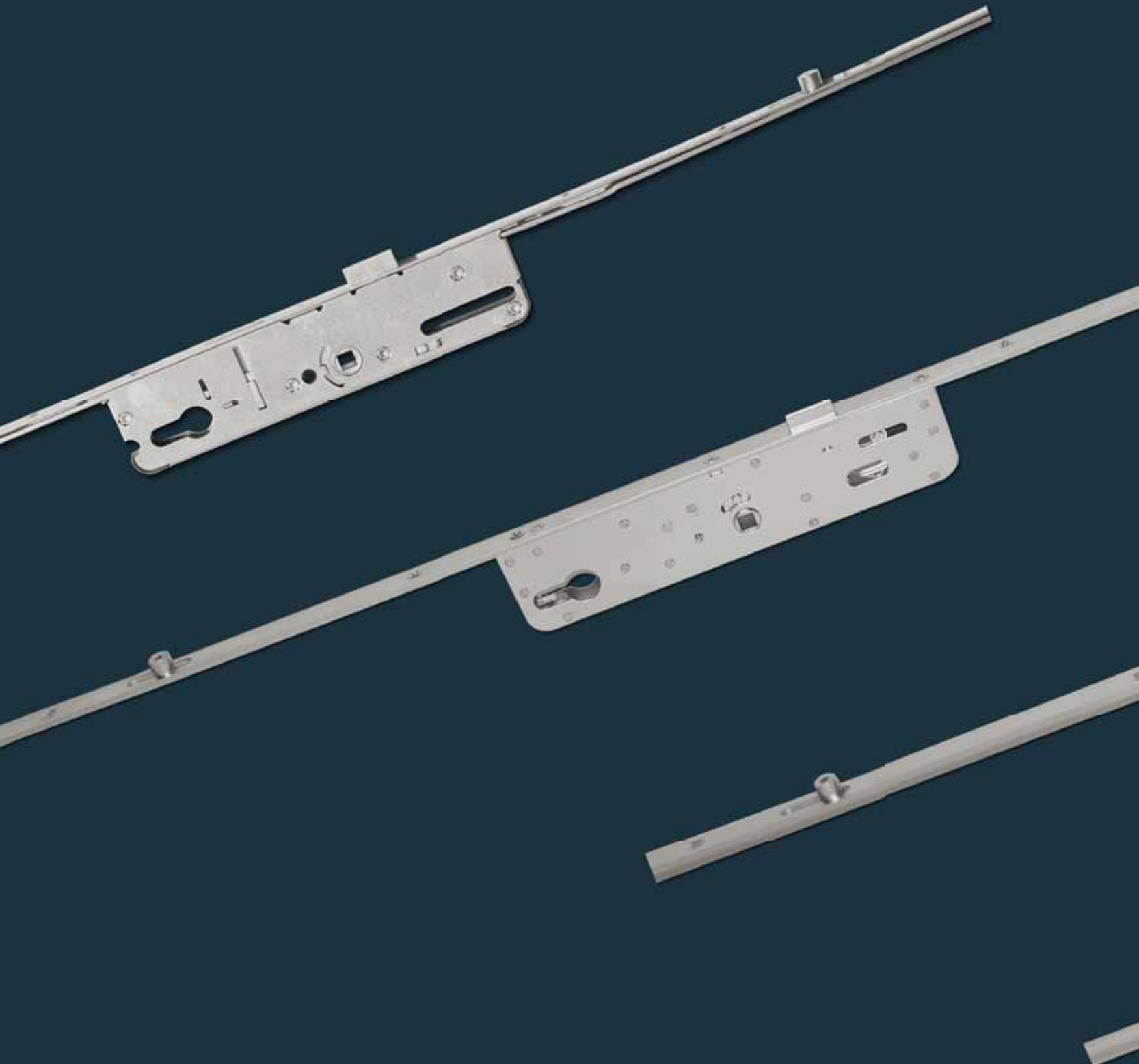
LEFT DOOR

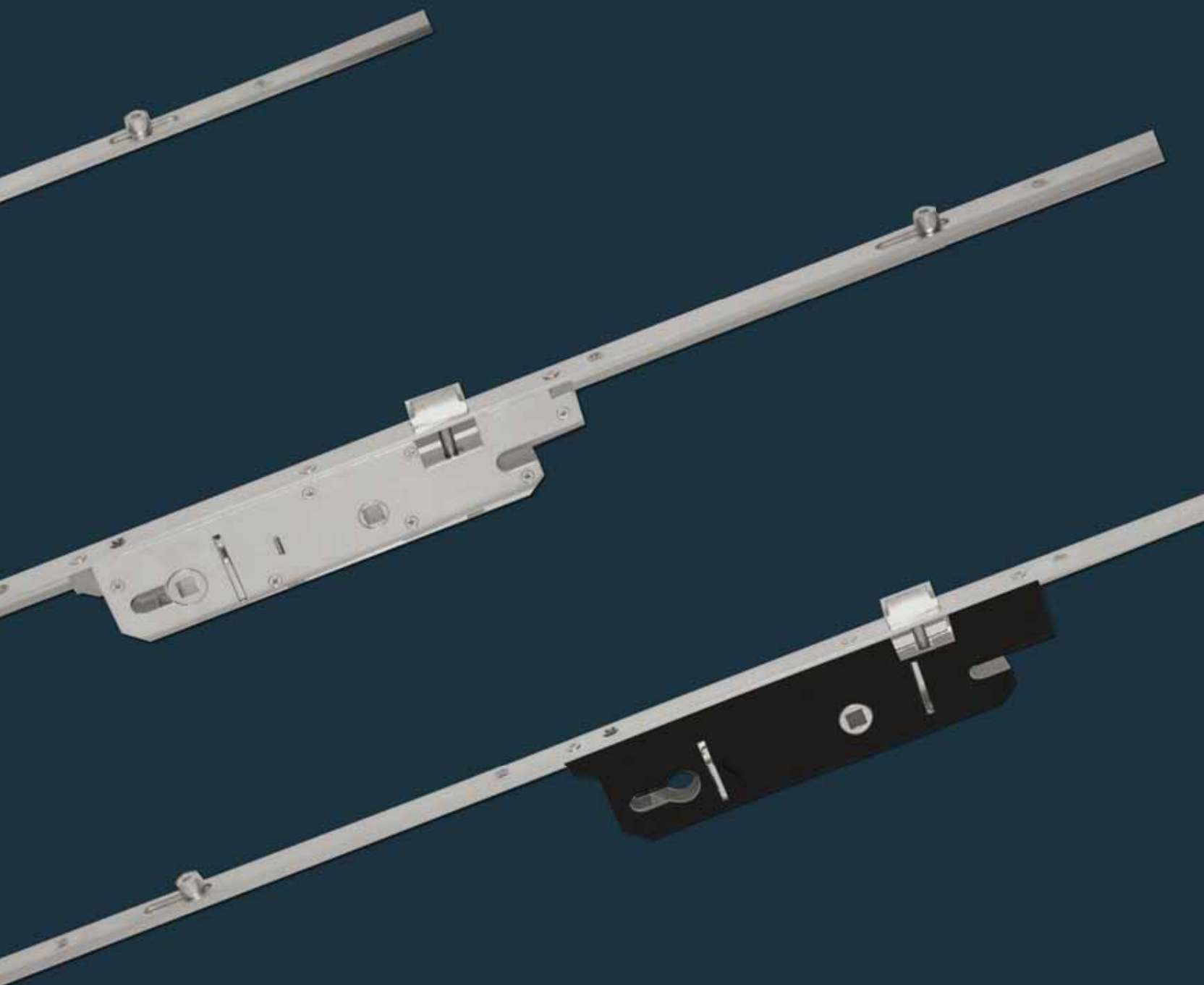
- 1- Top Rail Cover is cutted as long as Top Rail's lenght and assembled to Top Rail.
- 2- Top rail side covers are fixed to Top Rail after assembly of Top Rail Cover.
- 3- Sash Connection Profile covers are assembled to profile.
- 4- Aluminium Rail Cover is assembled to Aluminium Rail Cover Holder.
- 5- As last step of assembly, roller covers are assembled to rollers and assembly process is finished.

Sash height adjustent can be done by unfastening the nut onto the roller by 19 key and by fastening or unfastening the hex screw by SW4 Hex Key.



Multipoint Locks

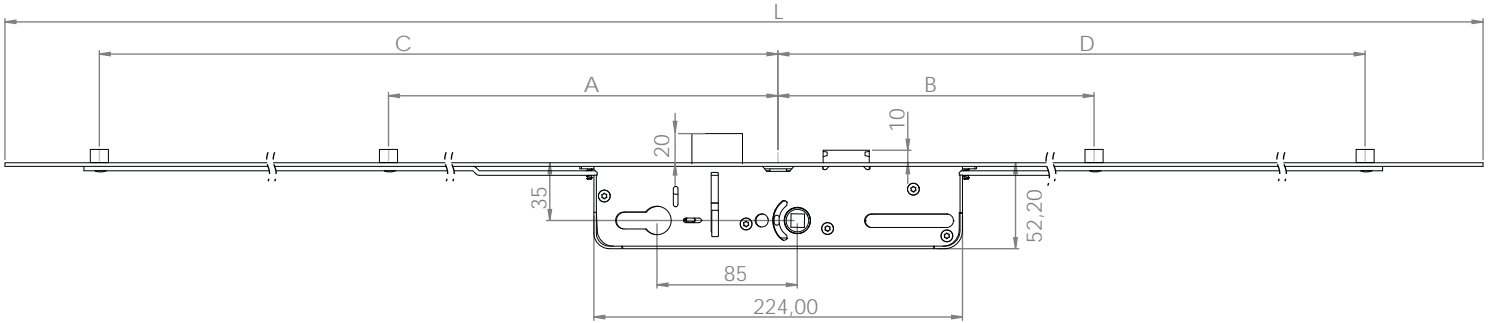




Multipoint Locks

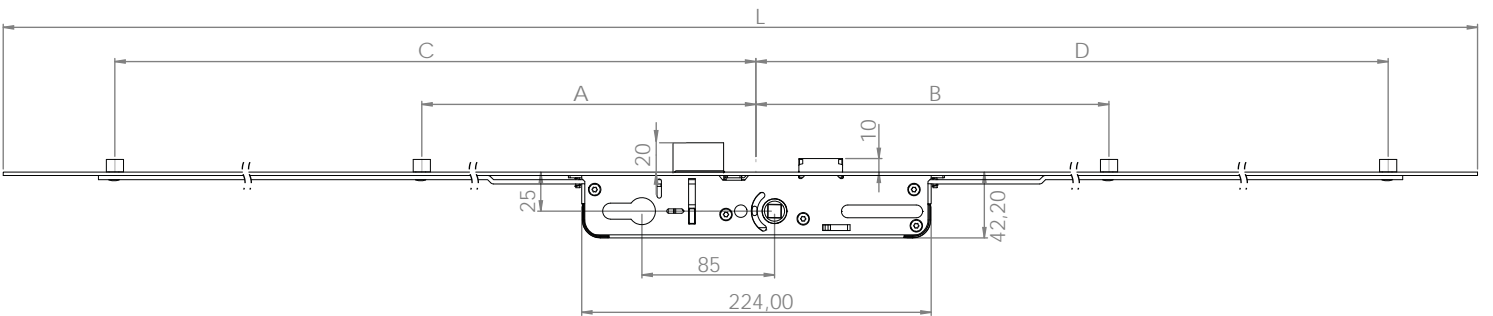
● Handle Operated

● PZ: 85 mm Backset: 35 mm (Deluxe Series - Metal Lock Case)



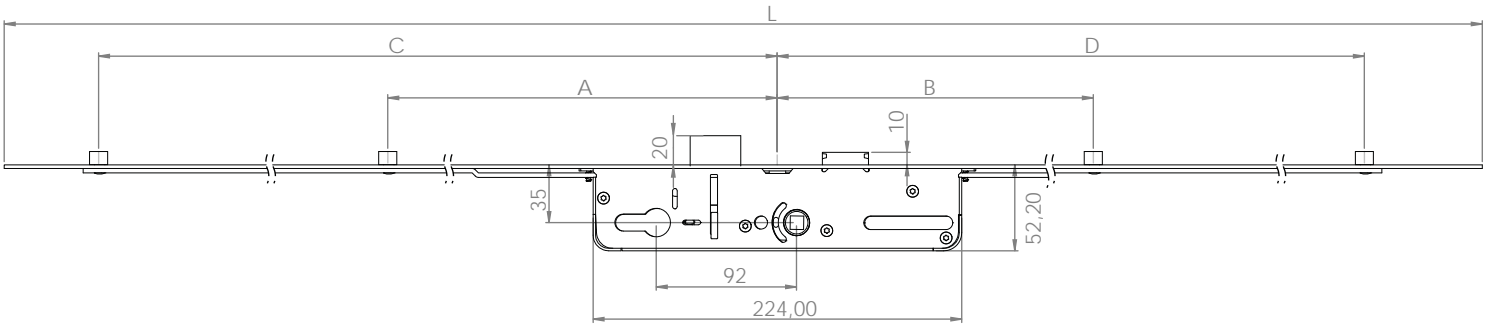
			L	A	B	C	D			Qty.		Kg
01.KKI063.00.00	01.KKI063.01.00	X	1600	278	288	725	725	8	4	20		22,95
01.KKI064.00.00	01.KKI064.01.00	X	1800	284	293	825	825	10	4	20		25,40
01.KKI065.00.00	01.KKI065.01.00	X	2000	379	395	925	925	10	4	20		27,15
01.KKI066.00.00	01.KKI066.01.00	✓	1600	278	288	725	725	8	4	20		23,55
01.KKI067.00.00	01.KKI067.01.00	✓	1800	284	293	825	825	10	4	20		26,15
01.KKI068.00.00	01.KKI068.01.00	✓	2000	379	395	925	925	10	4	20		27,40

● PZ: 85 mm Backset: 25 mm (Deluxe Series - Metal Lock Case)



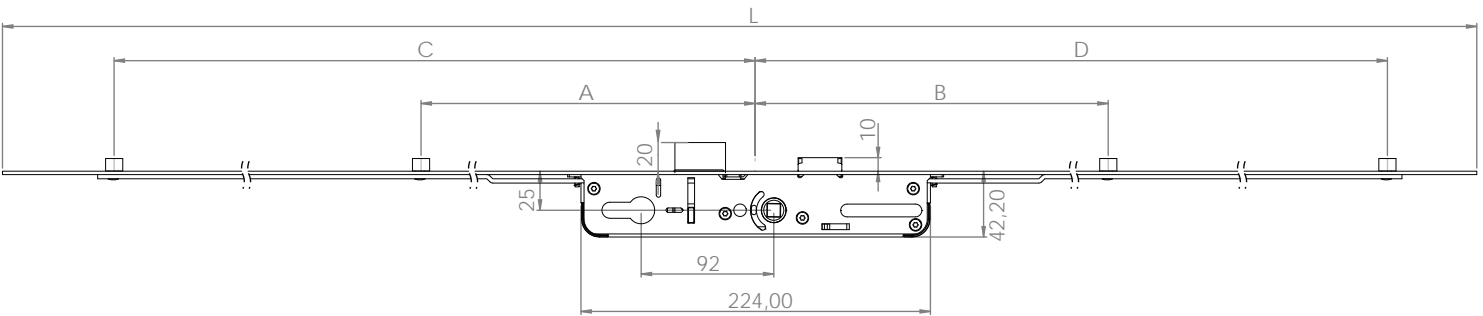
			L	A	B	C	D			Qty.		Kg
01.KKI069.00.00	01.KKI069.01.00	X	1600	278	288	725	725	8	4	20		20,75
01.KKI070.00.00	01.KKI070.01.00	X	1800	284	293	825	825	10	4	20		22,60
01.KKI071.00.00	01.KKI071.01.00	X	2000	379	395	925	925	10	4	20		24,65
01.KKI072.00.00	01.KKI072.01.00	✓	1600	278	288	725	725	8	4	20		23,55
01.KKI073.00.00	01.KKI073.01.00	✓	1800	284	293	825	825	10	4	20		26,15
01.KKI074.00.00	01.KKI074.01.00	✓	2000	379	395	925	925	10	4	20		27,40

PZ: 92 mm Backset: 35 mm (Deluxe Series - Metal Lock Case)



			L	A	B	C	D			Qty.		Kg
01.KKI075.00.00	01.KKI075.01.00	X	1600	278	288	725	725	8	4	20		
01.KKI076.00.00	01.KKI076.01.00	X	1800	284	293	825	825	10	4	20		
01.KKI077.00.00	01.KKI077.01.00	X	2000	379	395	925	925	10	4	20		
01.KKI078.00.00	01.KKI078.01.00	✓	1600	278	288	725	725	8	4	20		
01.KKI079.00.00	01.KKI079.01.00	✓	1800	284	293	825	825	10	4	20		
01.KKI080.00.00	01.KKI080.01.00	✓	2000	379	395	925	925	10	4	20		

PZ: 92 mm Backset: 25 mm (Deluxe Series - Metal Lock Case)

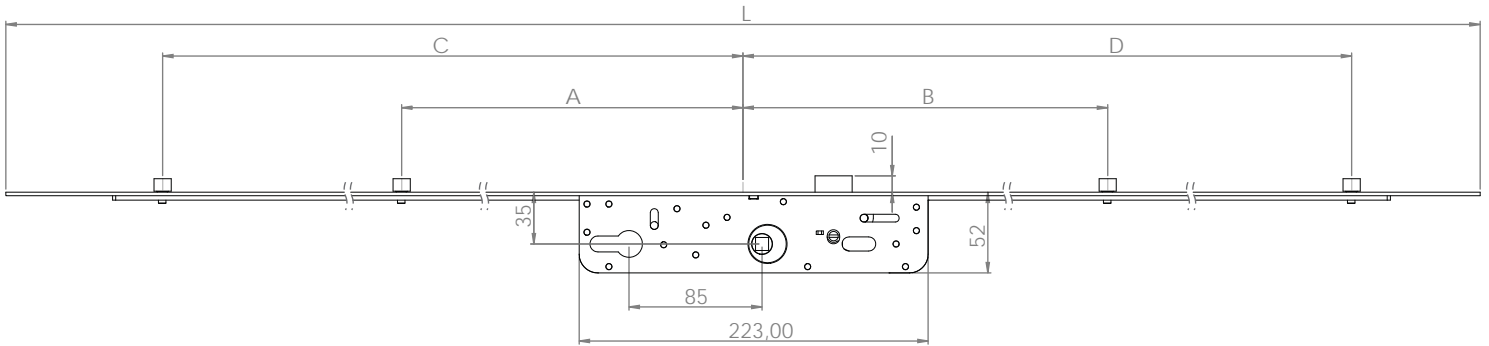


			L	A	B	C	D			Qty.		Kg
01.KKI081.00.00	01.KKI081.01.00	X	1600	278	288	725	725	8	4	20		-
01.KKI082.00.00	01.KKI082.01.00	X	1800	284	293	825	825	10	4	20		-
01.KKI083.00.00	01.KKI083.01.00	X	2000	379	395	925	925	10	4	20		-
01.KKI084.00.00	01.KKI084.01.00	✓	1600	278	288	725	725	8	4	20		-
01.KKI085.00.00	01.KKI085.01.00	✓	1800	284	293	825	825	10	4	20		-
01.KKI086.00.00	01.KKI086.01.00	✓	2000	379	395	925	925	10	4	20		-

Multipoint Locks

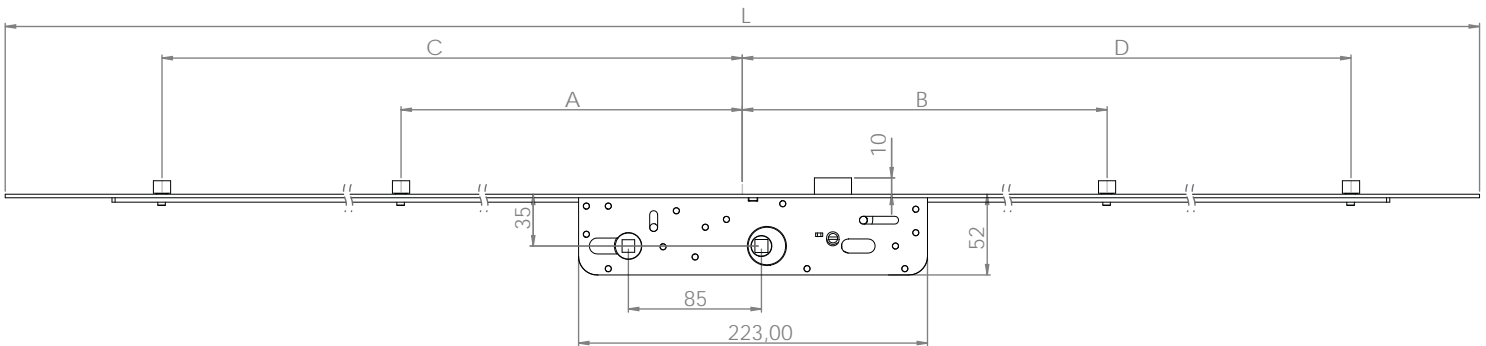
- Handle Operated

- PZ: 85 mm Backset: 35 mm (Metal Lock Case)



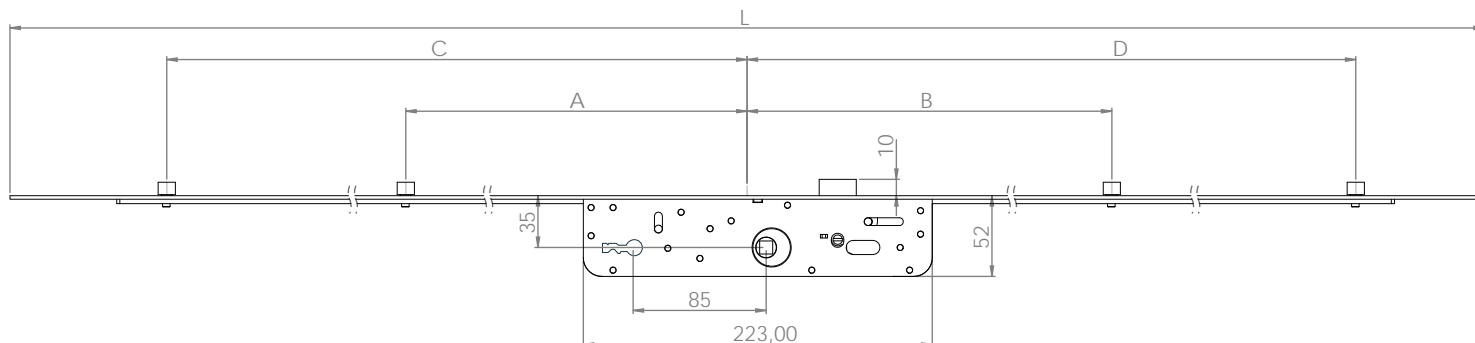
			L	A	B	C	D			Qty.		Kg
01.KKI001.00.00	01.KKI001.01.00	X	1600	278	288	725	725	8	4	20		23,70
01.KKI005.00.00	01.KKI005.01.00	X	1800	284	293	825	825	10	4	20		24,90
01.KKI003.00.00	01.KKI003.01.00	X	2000	379	395	925	925	10	4	20		27,00



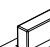



- PZ: 85 mm Backset: 35 mm - Balcony (Metal Lock Case)



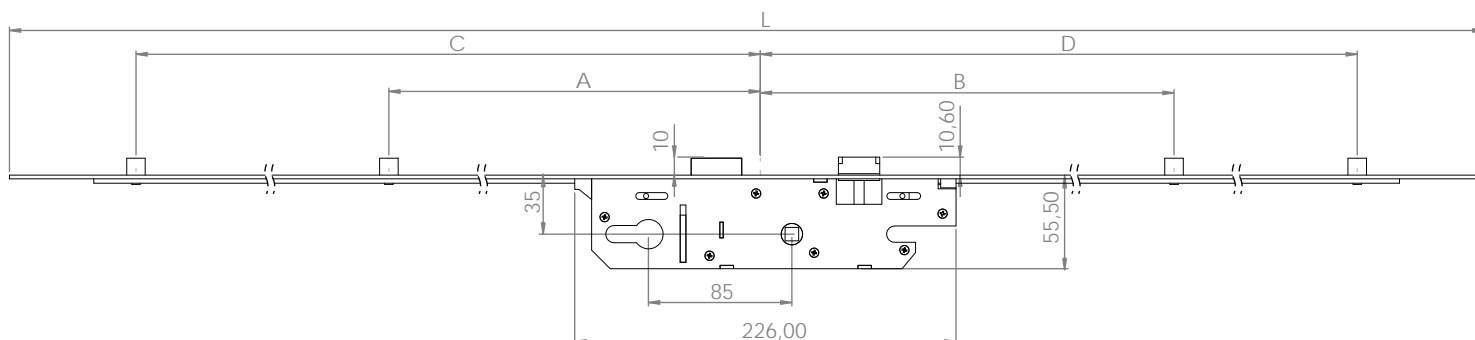
			L	A	B	C	D			Qty.		Kg
01.KKI002.00.00	01.KKI002.01.00	X	1600	278	288	725	725	8	4	20		23,70
01.KKI006.00.00	01.KKI006.01.00	X	1800	284	293	825	825	10	4	20		26,00
01.KKI004.00.00	01.KKI004.01.00	X	2000	379	395	925	925	10	4	20		28,72







PZ: 85 mm Backset: 35 mm Room (Metal Lock Case)



			L	A	B	C	D			Qty.		Kg
01.KKI031.00.00	01.KKI031.01.00	X	1600	278	288	725	725	8	4	20		25,12
01.KKI032.00.00	01.KKI032.01.00	X	1800	284	293	825	825	10	4	20		26,90
01.KKI033.00.00	01.KKI033.01.00	X	2000	379	395	925	925	10	4	20		28,90

PZ: 85 mm Backset: 35 mm (Plastic Lock Case)

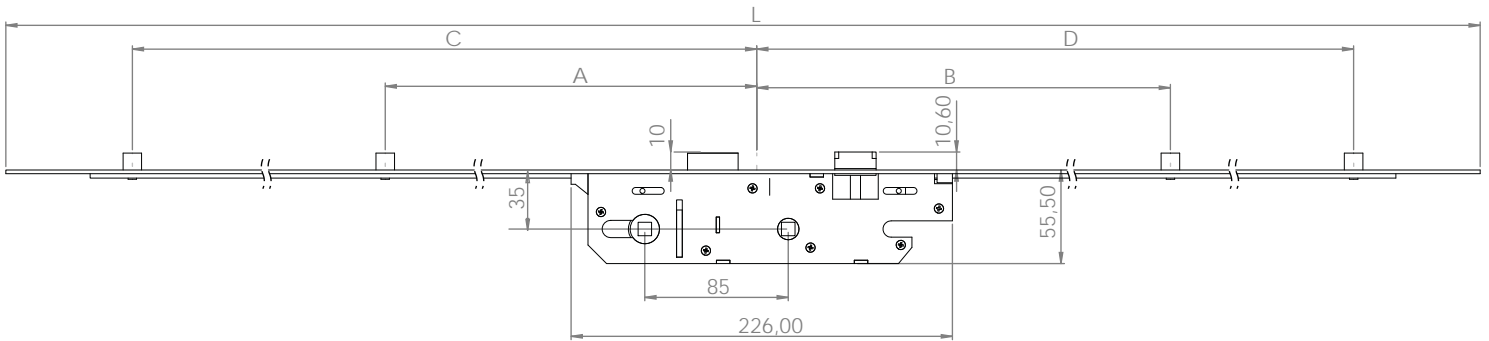


			L	A	B	C	D			Qty.		Kg
01.KKI013.00.00	01.KKI013.01.00	X	1600	278	288	725	725	8	4	20		18,59
01.KKI014.00.00	01.KKI014.01.00	X	1800	284	293	825	825	10	4	20		19,95
01.KKI015.00.00	01.KKI015.01.00	X	2000	379	395	925	925	10	4	20		21,80
01.KKI007.00.00	01.KKI007.01.00	✓	1600	278	288	725	725	8	4	20		21,30
01.KKI008.00.00	01.KKI008.01.00	✓	1800	284	293	825	825	10	4	20		21,27
01.KKI009.00.00	01.KKI009.01.00	✓	2000	379	395	925	925	10	4	20		23,70

Multipoint Locks

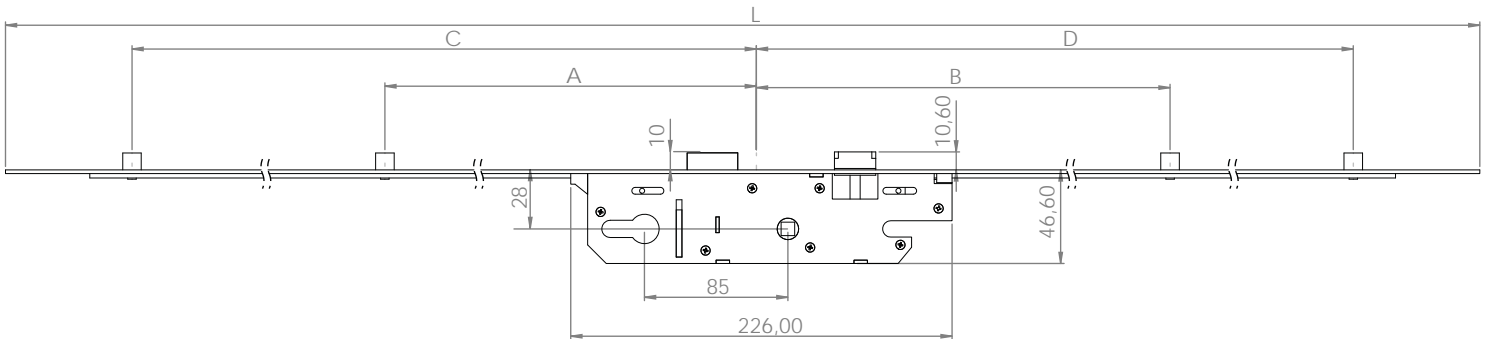
● Handle Operated

● PZ: 85 mm Backset: 35 mm - Balcony (Plastic Lock Case)



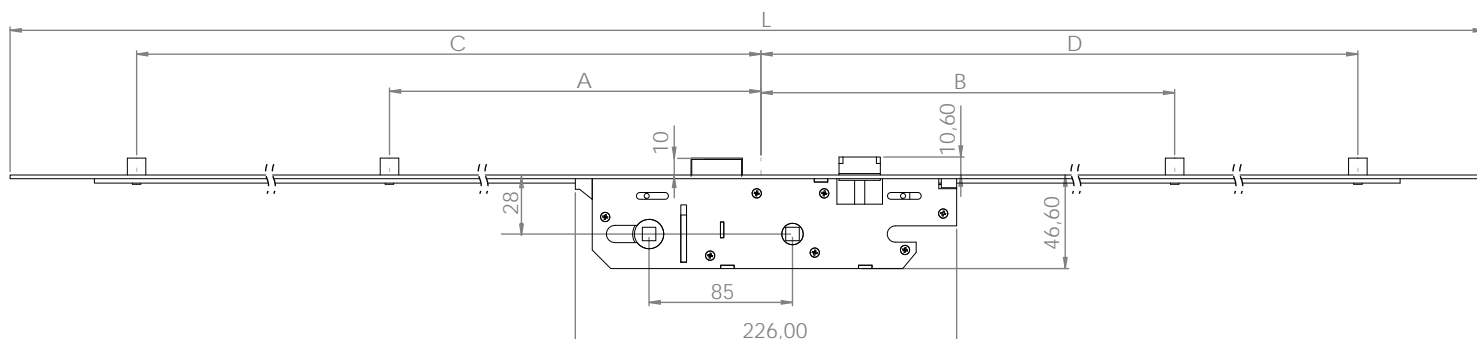
			L	A	B	C	D			Qty.	Kg
01.KKI022.00.00	01.KKI022.01.00	X	1600	278	288	725	725	8	4	20	19,25
01.KKI023.00.00	01.KKI023.01.00	X	1800	284	293	825	825	10	4	20	21,60
01.KKI024.00.00	01.KKI024.01.00	X	2000	379	395	925	925	10	4	20	23,40
01.KKI010.00.00	01.KKI010.01.00	✓	1600	278	288	725	725	8	4	20	21,74
01.KKI011.00.00	01.KKI011.01.00	✓	1800	284	293	825	825	10	4	20	21,80
01.KKI012.00.00	01.KKI012.01.00	✓	2000	379	395	925	925	10	4	20	23,10

● PZ: 85 mm Backset: 28 mm (Plastic Lock Case)



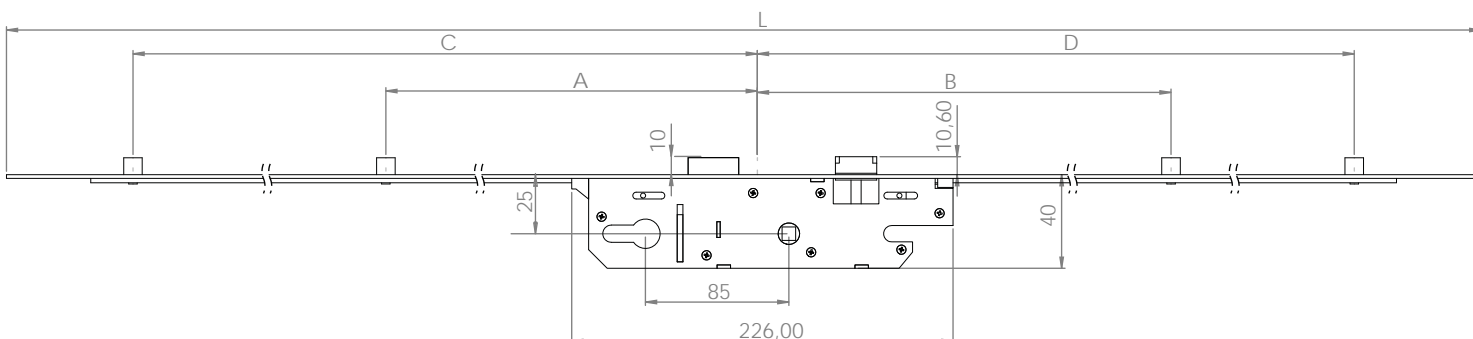
			L	A	B	C	D			Qty.	Kg
01.KKI016.00.00	01.KKI016.01.00	X	1600	278	288	725	725	8	4	20	16,85
01.KKI017.00.00	01.KKI017.01.00	X	1800	284	293	825	825	10	4	20	20,05
01.KKI018.00.00	01.KKI018.01.00	X	2000	379	395	925	925	10	4	20	21,35
01.KKI025.00.00	01.KKI025.01.00	✓	1600	278	288	725	725	8	4	20	20,06
01.KKI026.00.00	01.KKI026.01.00	✓	1800	284	293	825	825	10	4	20	21,74
01.KKI027.00.00	01.KKI027.01.00	✓	2000	379	395	925	925	10	4	20	23,76

PZ: 85 mm Backset: 28 mm - Balcony (Plastic Lock Case)



			L	A	B	C	D			Qty.	Kg
01.KKI019.00.00	01.KKI019.01.00	X	1600	278	288	725	725	8	4	20	18,50
01.KKI020.00.00	01.KKI020.01.00	X	1800	284	293	825	825	10	4	20	20,80
01.KKI021.00.00	01.KKI021.01.00	X	2000	379	395	925	925	10	4	20	21,77
01.KKI028.00.00	01.KKI028.01.00	✓	1600	278	288	725	725	8	4	20	20,50
01.KKI029.00.00	01.KKI029.01.00	✓	1800	284	293	825	825	10	4	20	21,80
01.KKI030.00.00	01.KKI030.01.00	✓	2000	379	395	925	925	10	4	20	24,24

PZ: 85 mm Backset: 25 mm (Plastic Lock Case)

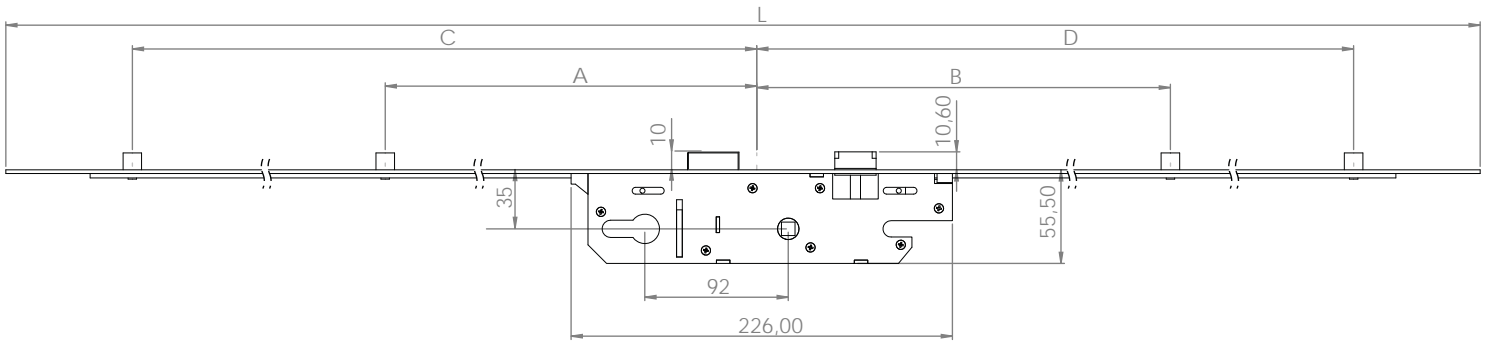


			L	A	B	C	D			Qty.	Kg
01.KKI034.00.00	01.KKI034.01.00	X	1600	278	288	725	725	8	4	20	18,00
01.KKI035.00.00	01.KKI035.01.00	X	1800	284	293	825	825	10	4	20	19,30
01.KKI036.00.00	01.KKI036.01.00	X	2000	379	395	925	925	10	4	20	20,60
01.KKI043.00.00	01.KKI043.01.00	✓	1600	278	288	725	725	8	4	20	18,50
01.KKI044.00.00	01.KKI044.01.00	✓	1800	284	293	825	825	10	4	20	19,95
01.KKI045.00.00	01.KKI045.01.00	✓	2000	379	395	925	925	10	4	20	21,60

Multipoint Locks

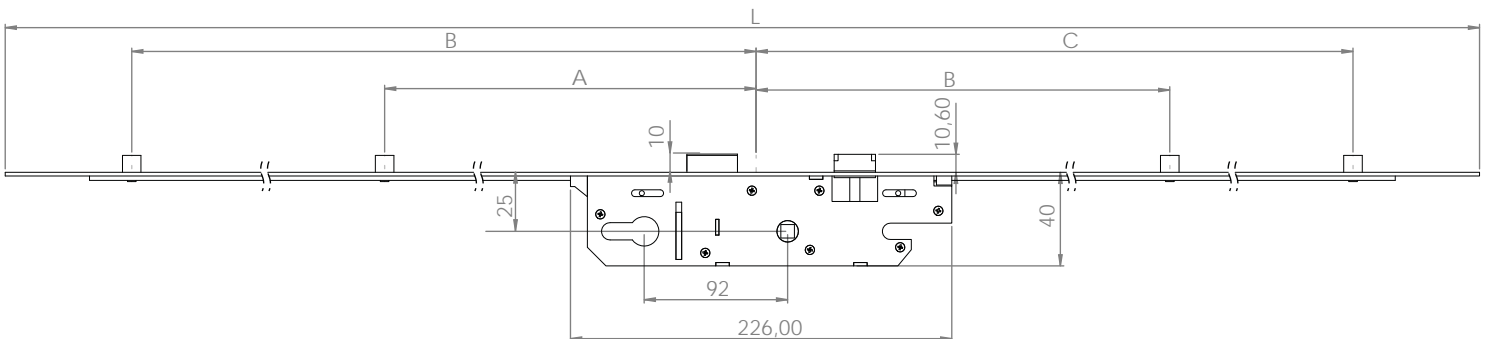
● Handle Operated

● PZ: 92 mm Backset: 35 mm (Plastic Lock Case)



			L	A	B	C	D			Qty.		Kg
01.KKI037.00.00	01.KKI037.01.00	X	1600	295	295	725	725	8	4	20		22,95
01.KKI038.00.00	01.KKI038.01.00	X	1800	275	280	825	825	10	4	20		25,40
01.KKI039.00.00	01.KKI039.01.00	X	2000	378	370	925	925	10	4	20		27,15
01.KKI046.00.00	01.KKI046.01.00	✓	1600	295	295	725	725	8	4	20		23,55
01.KKI047.00.00	01.KKI047.01.00	✓	1800	275	280	825	825	10	4	20		26,15
01.KKI048.00.00	01.KKI048.01.00	✓	2000	378	370	925	925	10	4	20		27,40

● PZ: 92 mm Backset: 25 mm (Plastic Lock Case)

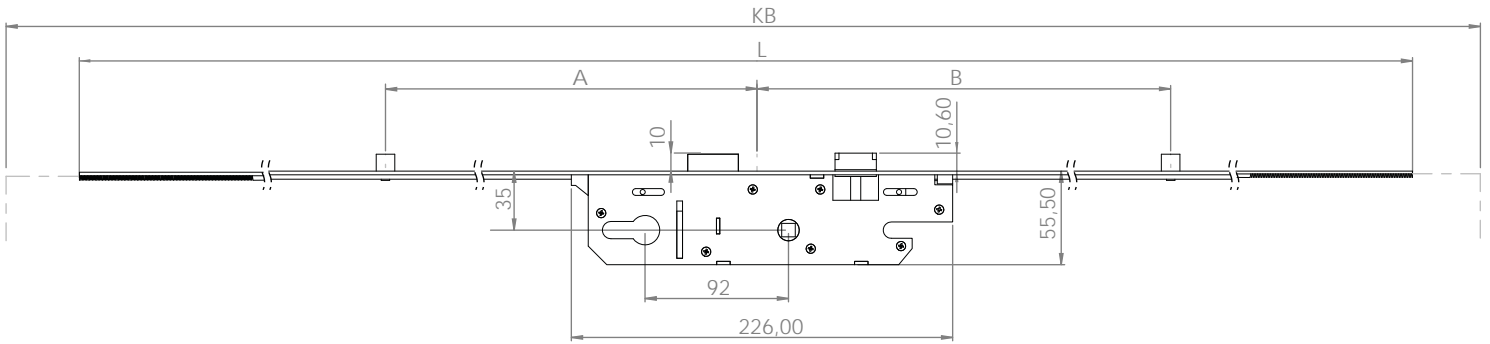


			L	A	B	C	D			Qty.		Kg
01.KKI040.00.00	01.KKI040.01.00	X	1600	295	295	725	725	8	4	20		18,00
01.KKI041.00.00	01.KKI041.01.00	X	1800	275	280	825	825	10	4	20		20,00
01.KKI042.00.00	01.KKI042.01.00	X	2000	378	370	925	925	10	4	20		22,00
01.KKI049.00.00	01.KKI049.01.00	✓	1600	295	295	725	725	8	4	20		18,20
01.KKI050.00.00	01.KKI050.01.00	✓	1800	275	280	825	825	10	4	20		19,87
01.KKI051.00.00	01.KKI051.01.00	✓	2000	378	370	925	925	10	4	20		21,70

Multipoint Locks

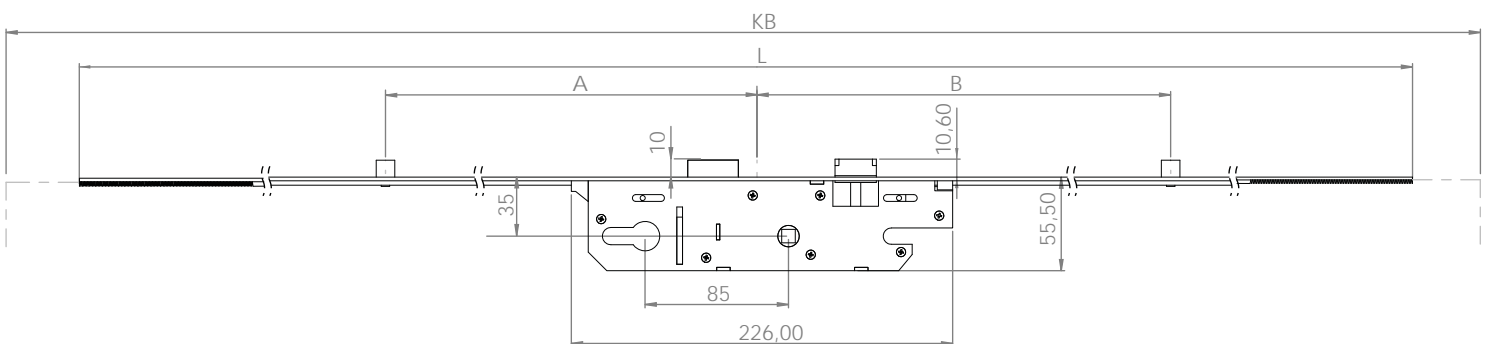
Handle Operated

PZ: 92 mm Backset: 35 mm Cuttable (Plastic Lock Case)



			KB	L	A	B			Qty.		Kg
01.KKI059.00.00	01.KKI059.01.00	X	1700 - 2200	1900	348	340	6	2	20		23,00
01.KKI060.00.00	01.KKI060.01.00	✓	1700 - 2200	1900	348	340	6	2	20		23,50

PZ: 85 mm Backset: 35 mm Cuttable (Plastic Lock Case)

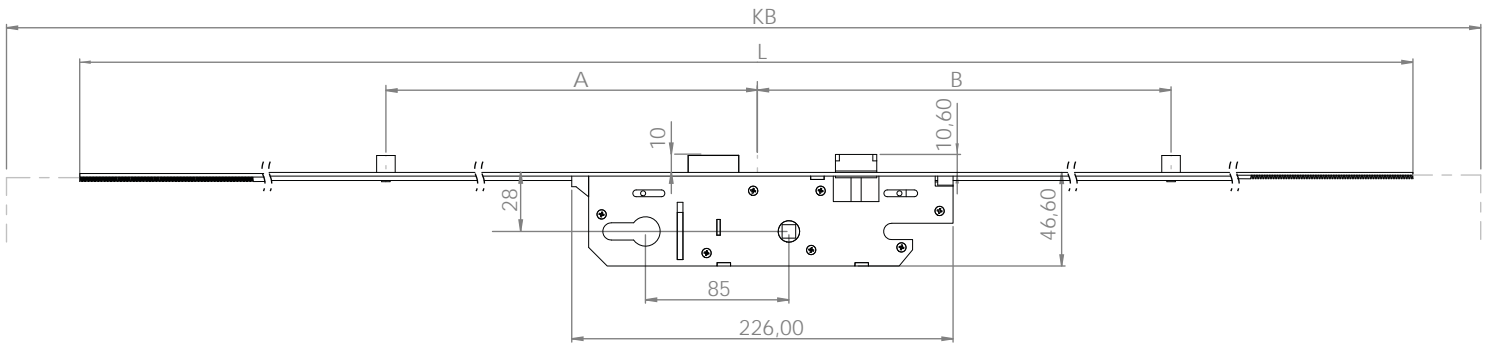


			KB	L	A	B			Qty.		Kg
01.KKI053.00.00	01.KKI053.01.00	X	1700 - 2200	1900	348	340	6	2	20		21,35
01.KKI054.00.00	01.KKI054.01.00	✓	1700 - 2200	1900	348	340	6	2	20		22,70

Multipoint Locks

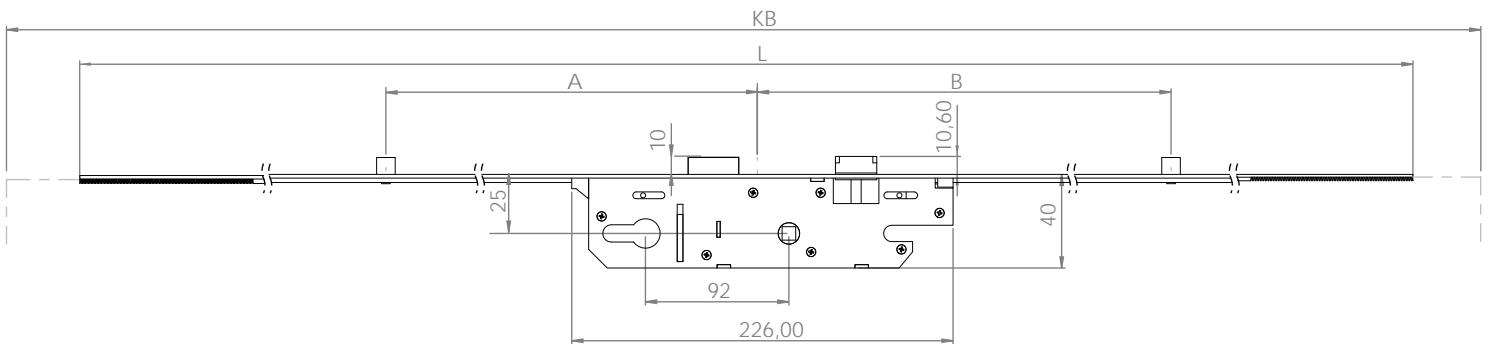
- Handle Operated

- PZ: 85 mm Backset: 28 mm Cuttable (Plastic Lock Case)



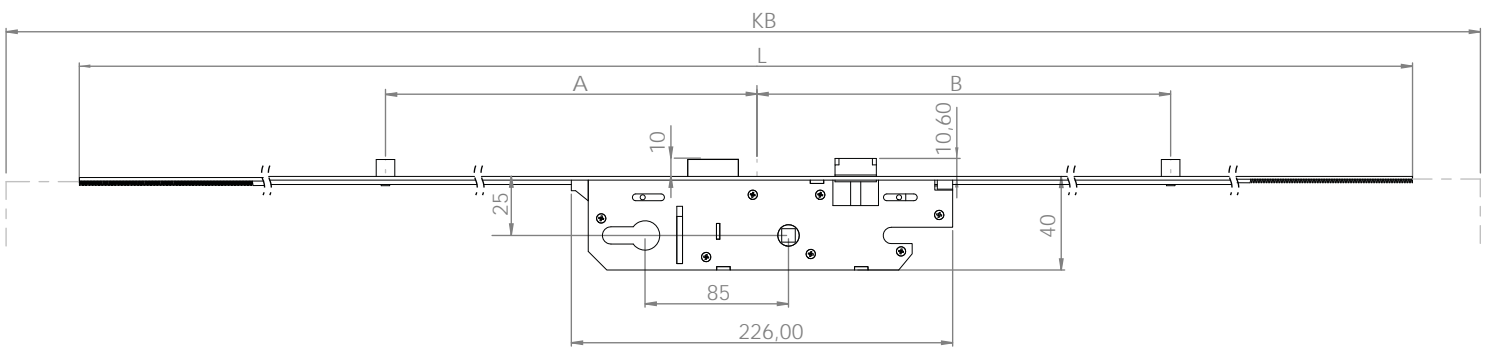
			KB	L	A	B			Qty.		Kg
01.KKI055.00.00	01.KKI055.01.00	X	1700 - 2200	1900	348	340	6	2	20		20,98
01.KKI056.00.00	01.KKI056.01.00	✓	1700 - 2200	1900	348	340	6	2	20		20,98

- PZ: 92 mm Backset: 25 mm Cuttable (Plastic Lock Case)



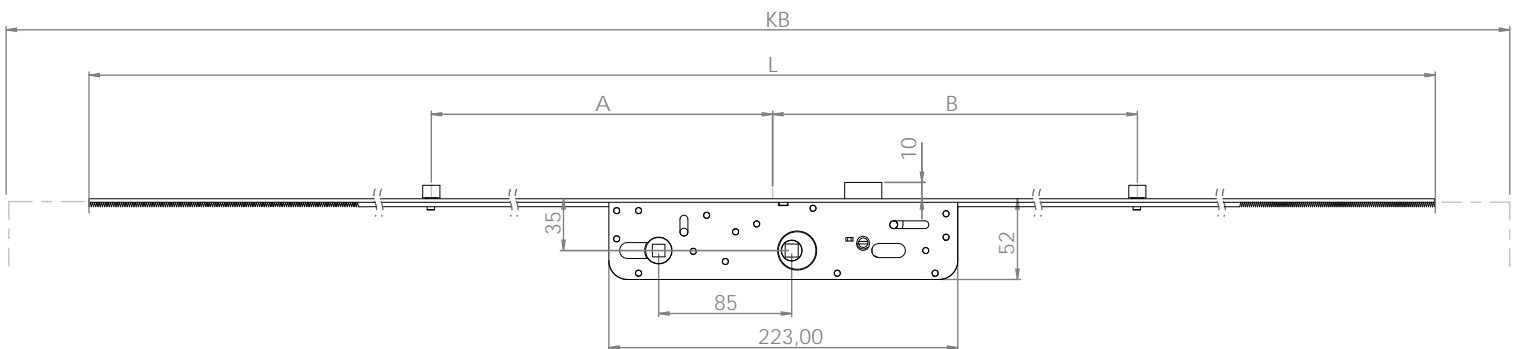
			KB	L	A	B			Qty.		Kg
01.KKI061.00.00	01.KKI061.01.00	X	1700 - 2200	1900	348	340	6	2	20		21,55
01.KKI062.00.00	01.KKI062.01.00	✓	1700 - 2200	1900	348	340	6	2	20		21,55

PZ: 85 mm Backset: 25 mm Cuttable (Plastic Lock Case)



			KB	L	A	B			Qty.		Kg
01.KKI057.00.00	01.KKI057.01.00	X	1700 - 2200	1900	348	340	6	2	20		20,55
01.KKI058.00.00	01.KKI058.01.00	✓	1700 - 2200	1900	348	340	6	2	20		20,55

PZ: 85 mm Backset: 35 mm Cuttable (Metal Lock Case)

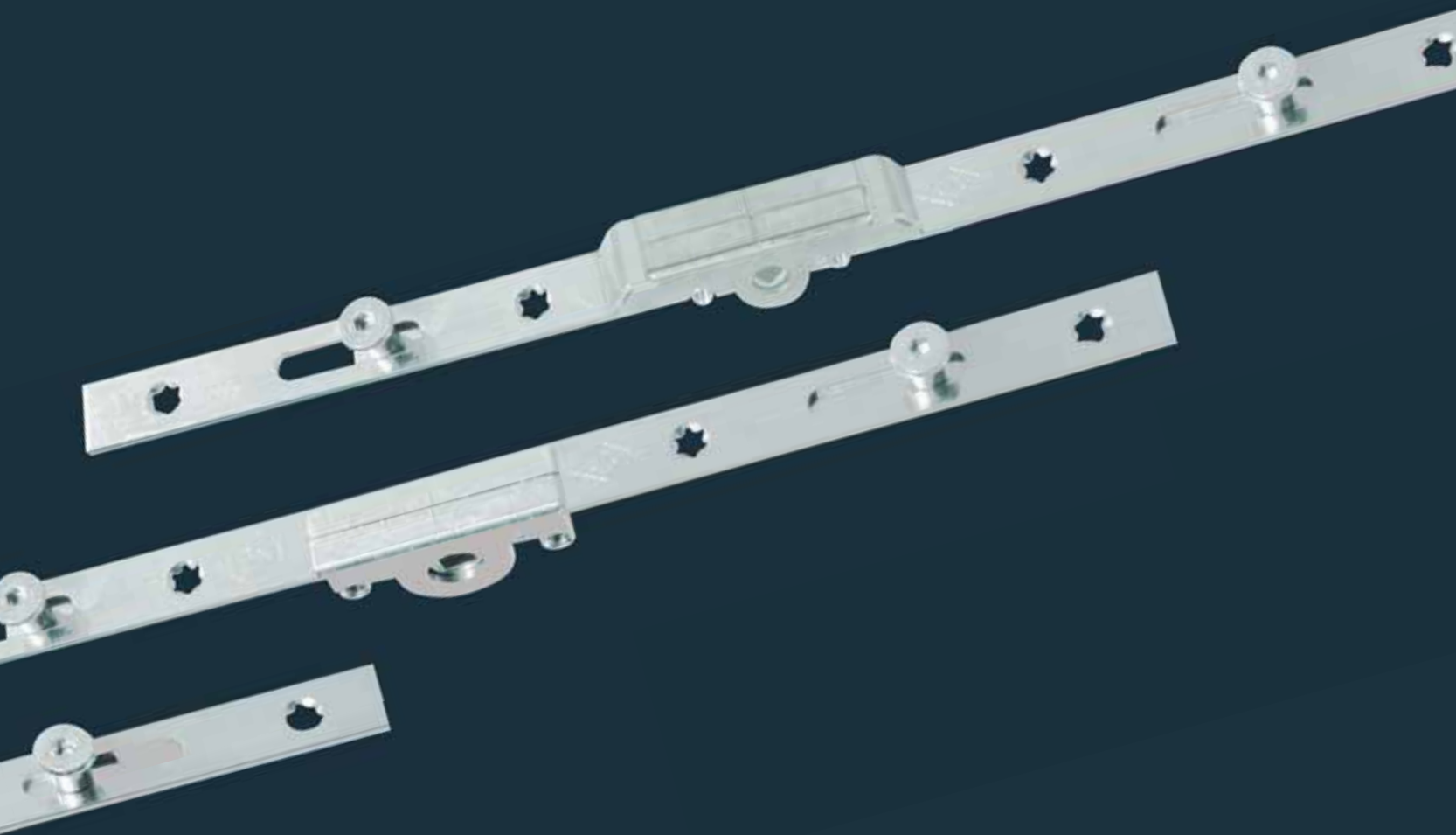


			KB	L	A	B			Qty.		Kg
01.KKI052.00.00	01.KKI052.01.00	X	1700 - 22000	1900	348	340	6	2	20		26,45

Turn - Only Sytems

- Espagnolettes

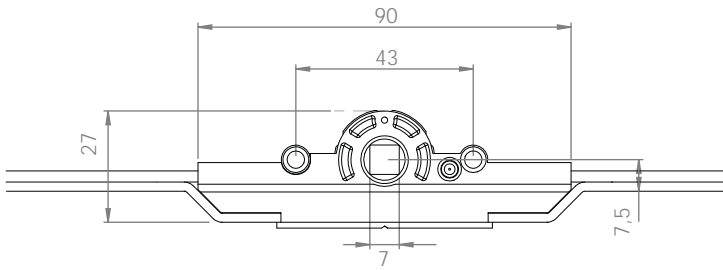




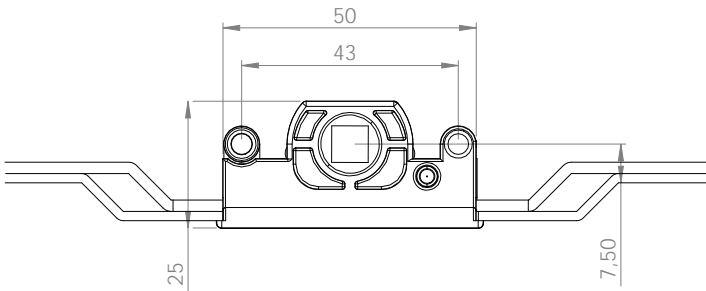
Turn - Only Systems

● Lock Case Types Espagnolettes

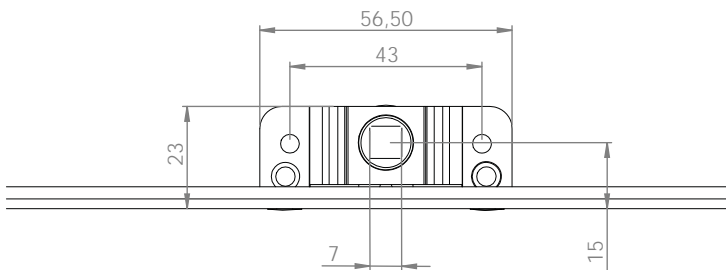
● 7,5 mm Backset Espagnolette



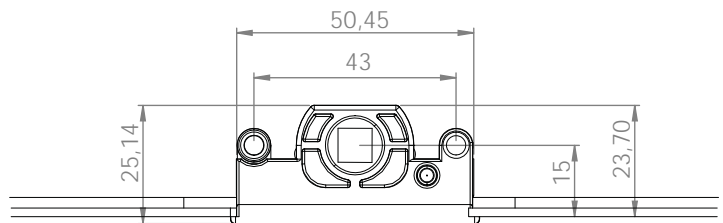
● 7,5 mm Backset Espagnolette(ECO)



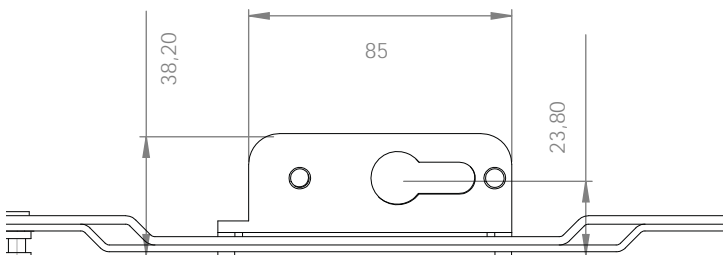
● 15 mm Backset Espagnolette



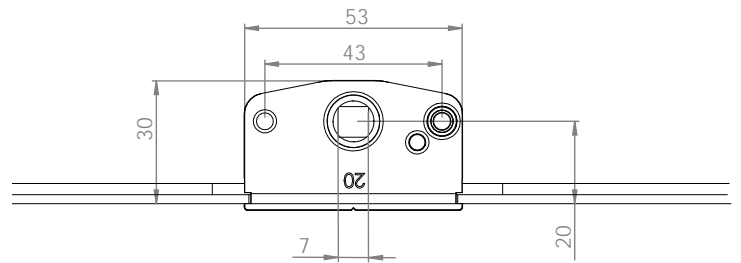
● 15 mm Backset Espagnolette



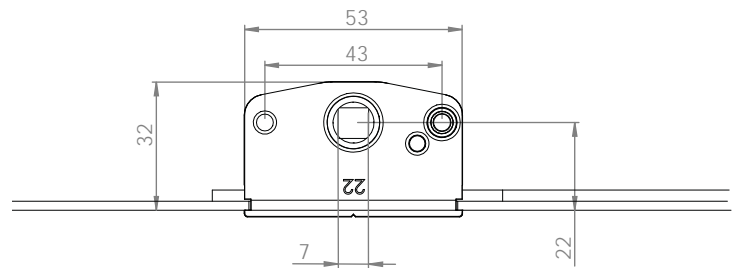
● Lockable Espagnolette



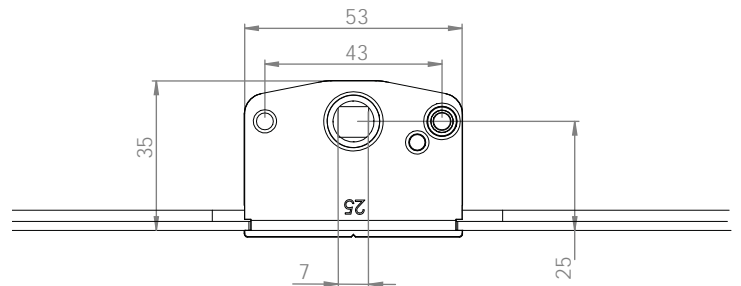
● 20 mm Backset Espagnolette



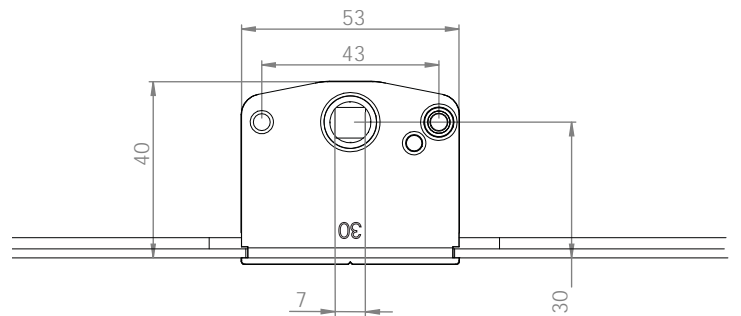
● 22 mm Backset Espagnolette



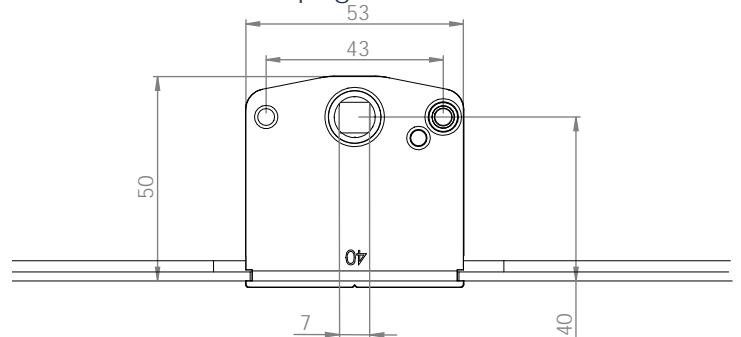
● 25 mm Backset Espagnolette



● 30 mm Backset Espagnolette

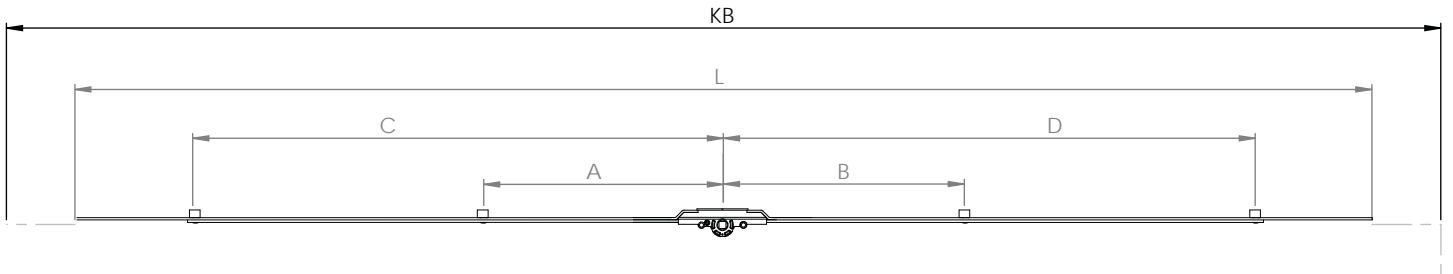


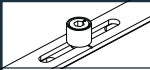
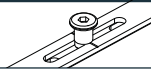



● 40 mm Backset Espagnolette



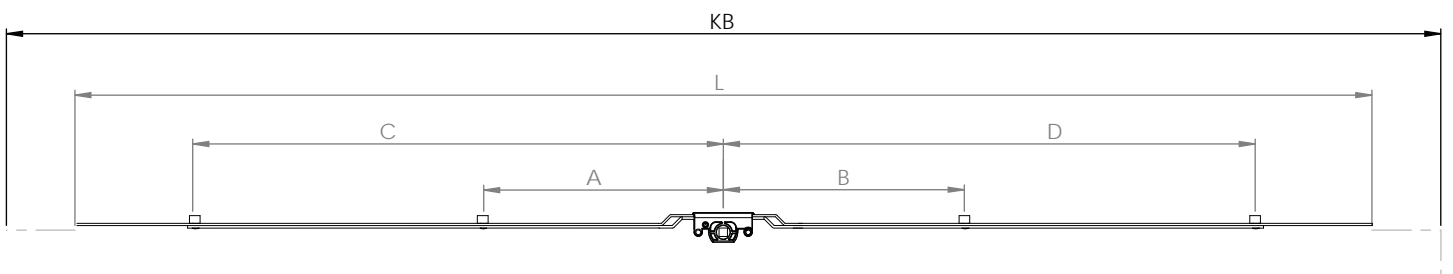
7,5 mm Backset Steel Lock Case Espagnolettes

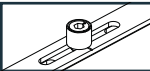
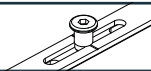

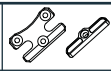

7,5 mm Backset Espagnolettes



		KB	L	A	B	C	D			Qty.		Kg
01.TAI100.02.00	01.TAI101.02.00	400 - 600	400	143	143	-	-	4	2	20	-	
01.TAI100.03.00	01.TAI101.03.00	600 - 800	600	179	179	-	-	6	2	20	-	
01.TAI100.04.00	01.TAI101.04.00	800 - 1000	800	279	279	-	-	6	2	20	-	
01.TAI100.05.00	01.TAI101.05.00	1000 - 1200	1000	98	-	379	379	9	3	20	-	
01.TAI100.06.00	01.TAI101.06.00	1200 - 1400	1200	98	-	479	479	9	3	20	-	
01.TAI100.08.00	01.TAI101.08.00	1400 - 1600	1400	98	-	579	579	9	3	20	-	
01.TAI100.09.00	01.TAI101.09.00	1600 - 1800	1600	248	248	679	679	11	4	20	-	
01.TAI100.09.00	01.TAI101.09.00	1800 - 2000	1800	281	281	779	779	11	4	20	-	
01.TAI100.10.00	01.TAI101.10.00	2000 - 2200	2000	316	316	879	879	14	4	20	-	

7,5 mm Backset Espagnolettes (ECO)

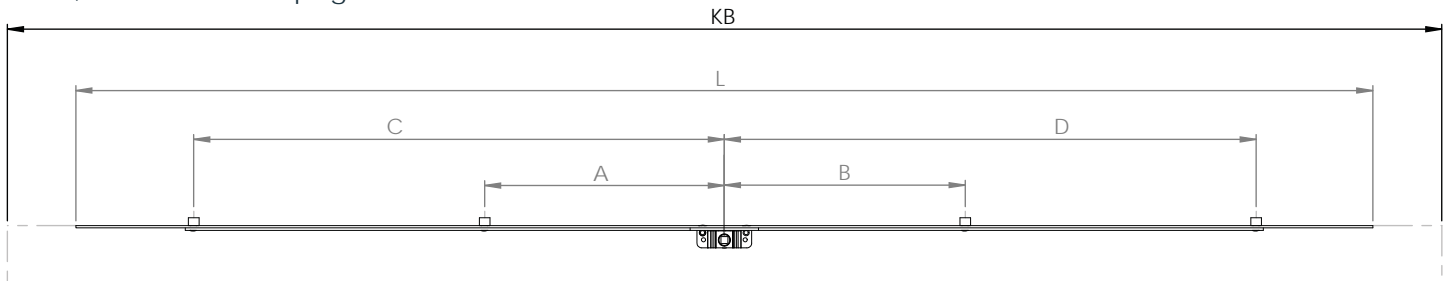


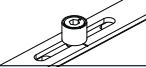
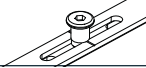

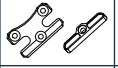

		KB	L	A	B	C	D			Qty.		Kg
01.TAI102.02.00	01.TAI103.02.00	400 - 600	400	143	143	-	-	4	2	20	-	
01.TAI102.03.00	01.TAI103.03.00	600 - 800	600	179	179	-	-	6	2	20	-	
01.TAI102.04.00	01.TAI103.04.00	800 - 1000	800	279	279	-	-	6	2	20	-	
01.TAI102.05.00	01.TAI103.05.00	1000 - 1200	1000	98	-	379	379	9	3	20	-	
01.TAI102.06.00	01.TAI103.06.00	1200 - 1400	1200	98	-	479	479	9	3	20	-	
01.TAI102.08.00	01.TAI103.08.00	1400 - 1600	1400	98	-	579	579	9	3	20	-	
01.TAI102.09.00	01.TAI103.09.00	1600 - 1800	1600	248	248	679	679	11	4	20	-	
01.TAI102.09.00	01.TAI103.09.00	1800 - 2000	1800	281	281	779	779	11	4	20	-	
01.TAI102.10.00	01.TAI103.10.00	2000 - 2200	2000	316	316	879	879	14	4	20	-	

Turn - Only Systems

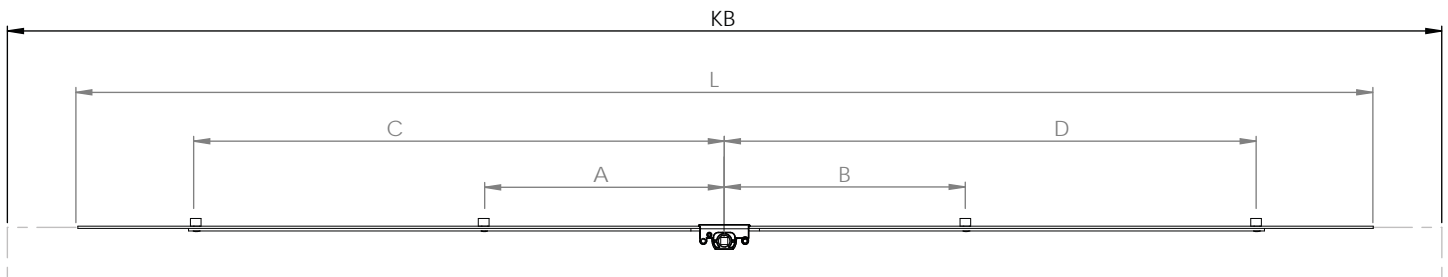
● Espagnolettes


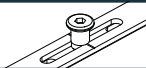



● 7,5 mm Backset Espagnolettes



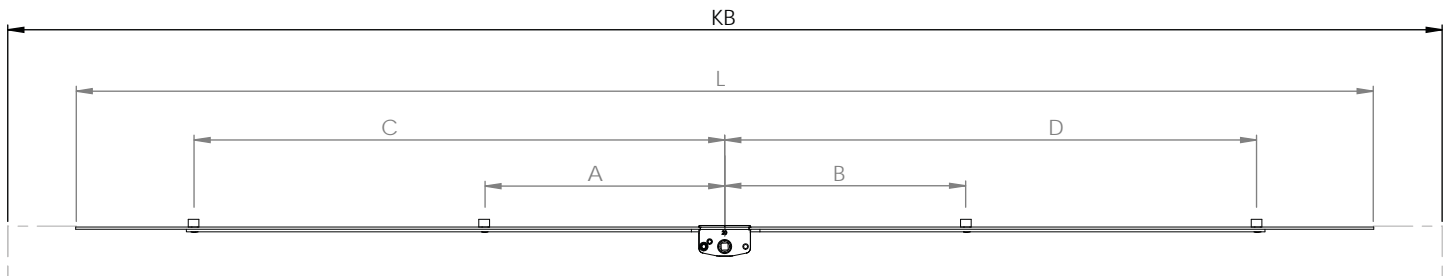
		KB	L	A	B	C	D			Qty. 	Kg
01.TAI210.01.00	01.TAI211.01.00	300 - 400	300	93	93	-	-	4	2	20	2,88
01.TAI210.02.00	01.TAI211.02.00	400 - 600	400	143	143	-	-	4	2	20	3,78
01.TAI210.03.00	01.TAI211.03.00	600 - 800	600	179	179	-	-	6	2	20	5,40
01.TAI210.04.00	01.TAI211.04.00	800 - 1000	800	279	279	-	-	6	2	20	6,05
01.TAI210.05.00	01.TAI211.05.00	1000 - 1200	1000	98	-	379	379	9	3	20	8,75
01.TAI210.06.00	01.TAI211.06.00	1200 - 1400	1200	98	-	479	479	9	3	20	10,52
01.TAI210.07.00	01.TAI211.07.00	1400 - 1600	1400	98	-	579	579	9	3	20	12,35
01.TAI210.08.00	01.TAI211.08.00	1600 - 1800	1600	248	248	679	679	11	4	20	14,15
01.TAI210.09.00	01.TAI211.09.00	1800 - 2000	1800	281	281	779	779	11	4	20	15,85
01.TAI210.10.00	01.TAI211.10.00	2000 - 2200	2000	316	316	879	879	14	4	20	17,90

● 15 mm Backset Espagnolettes



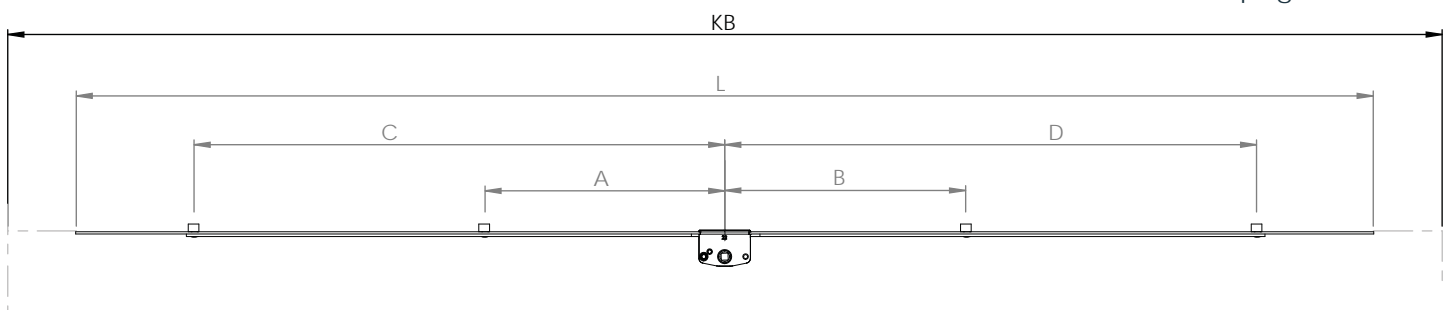
		KB	L	A	B	C	D			Qty. 	Kg
01.TAI200.01.00	01.TAI201.01.00	300 - 400	300	93	93	-	-	4	2	20	3,08
01.TAI200.02.00	01.TAI201.02.00	400 - 600	400	143	143	-	-	4	2	20	4,05
01.TAI200.03.00	01.TAI201.03.00	600 - 800	600	179	179	-	-	6	2	20	5,70
01.TAI200.04.00	01.TAI201.04.00	800 - 1000	800	279	279	-	-	6	2	20	7,52
01.TAI200.05.00	01.TAI201.05.00	1000 - 1200	1000	98	-	379	379	9	3	20	8,60
01.TAI200.06.00	01.TAI201.06.00	1200 - 1400	1200	98	-	479	479	9	3	20	10,56
01.TAI200.07.00	01.TAI201.07.00	1400 - 1600	1400	98	-	579	579	9	3	20	12,75
01.TAI200.08.00	01.TAI201.08.00	1600 - 1800	1600	248	248	679	679	11	4	20	14,40
01.TAI200.09.00	01.TAI201.09.00	1800 - 2000	1800	281	281	779	779	11	4	20	16,10
01.TAI200.10.00	01.TAI201.10.00	2000 - 2200	2000	316	316	879	879	14	4	20	18,32

20 mm Backset Espagnolettes ●



		KB	L	A	B	C	D			Qty.	Kg
01.TAI300.01.00	01.TAI301.01.00	300 - 400	300	93	93	-	-	4	2	20	-
01.TAI300.02.00	01.TAI301.02.00	400 - 600	400	143	143	-	-	4	2	20	-
01.TAI300.03.00	01.TAI301.03.00	600 - 800	600	179	179	-	-	6	2	20	-
01.TAI300.04.00	01.TAI301.04.00	800 - 1000	800	279	279	-	-	6	2	20	-
01.TAI300.05.00	01.TAI301.05.00	1000 - 1200	1000	98	-	379	379	9	3	20	-
01.TAI300.06.00	01.TAI301.06.00	1200 - 1400	1200	98	-	479	479	9	3	20	-
01.TAI300.07.00	01.TAI301.07.00	1400 - 1600	1400	98	-	579	579	9	3	20	-
01.TAI300.08.00	01.TAI301.08.00	1600 - 1800	1600	248	248	679	679	11	4	20	-
01.TAI300.09.00	01.TAI301.09.00	1800 - 2000	1800	281	281	779	779	11	4	20	-
01.TAI300.10.00	01.TAI301.10.00	2000 - 2200	2000	316	316	879	879	14	4	20	-

22 mm Backset Espagnolettes ●

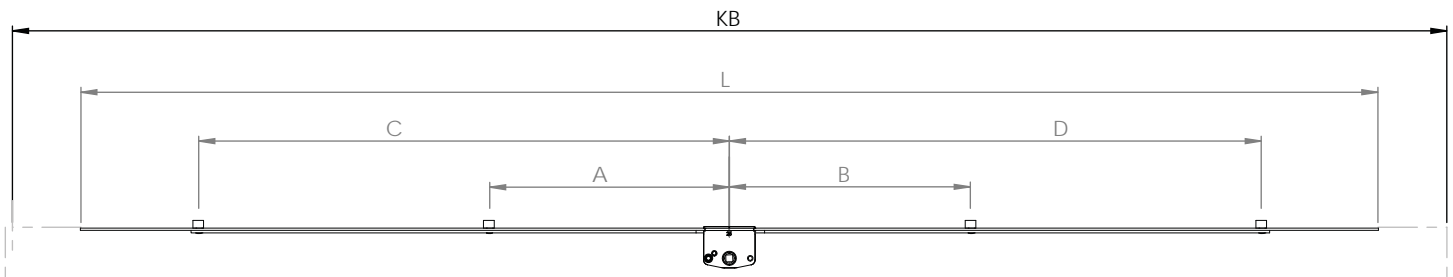


		KB	L	A	B	C	D			Qty.	Kg
01.TAI400.01.00	01.TAI401.01.00	300 - 400	300	93	93	-	-	4	2	20	1,77
01.TAI400.02.00	01.TAI401.02.00	400 - 600	400	143	143	-	-	4	2	20	2,23
01.TAI400.03.00	01.TAI401.03.00	600 - 800	600	179	179	-	-	6	2	20	2,90
01.TAI400.04.00	01.TAI401.04.00	800 - 1000	800	279	279	-	-	6	2	20	3,85
01.TAI400.05.00	01.TAI401.05.00	1000 - 1200	1000	98	-	379	379	9	3	20	4,67
01.TAI400.06.00	01.TAI401.06.00	1200 - 1400	1200	98	-	479	479	9	3	20	5,42
01.TAI400.07.00	01.TAI401.07.00	1400 - 1600	1400	98	-	579	579	9	3	20	16,72
01.TAI400.08.00	01.TAI401.08.00	1600 - 1800	1600	248	248	679	679	11	4	20	18,75
01.TAI400.09.00	01.TAI401.09.00	1800 - 2000	1800	281	281	779	779	11	4	20	21,00
01.TAI400.10.00	01.TAI401.10.00	2000 - 2200	2000	316	316	879	879	14	4	20	23,00

Turn - Only Systems

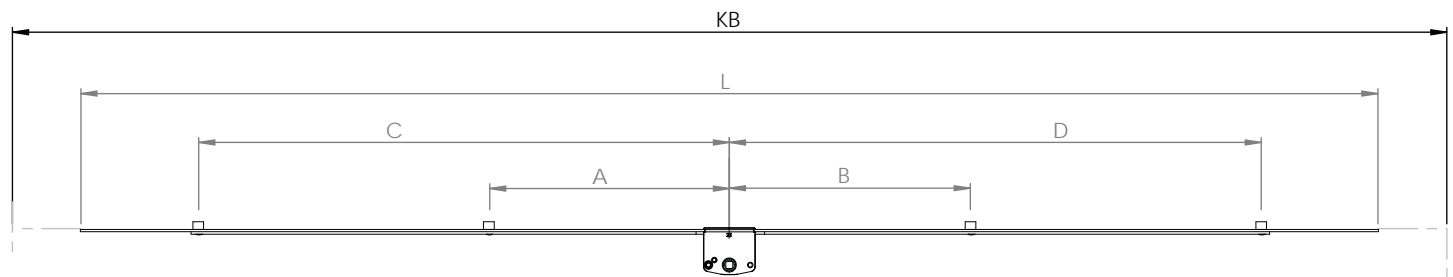
● Espagnolettes

● 25 mm Backset Espagnolettes



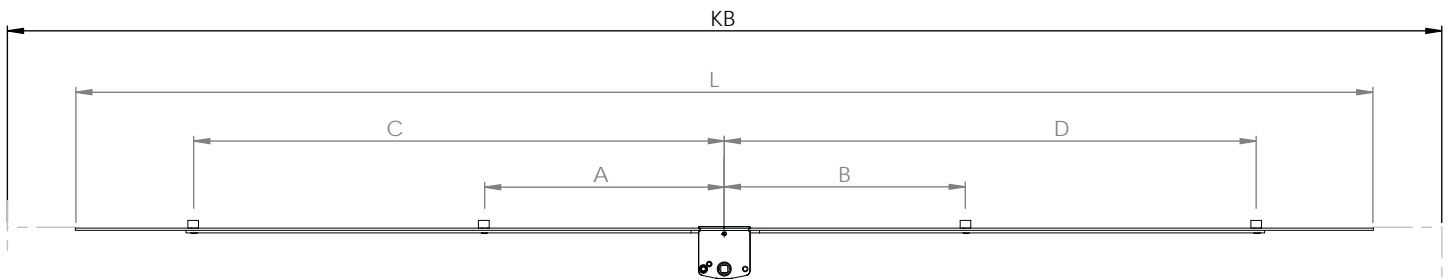
		KB	L	A	B	C	D			Qty.		Kg
01.TAI500.01.00	01.TAI501.01.00	300 - 400	300	93	93	-	-	4	2	20		1,85
01.TAI500.02.00	01.TAI501.02.00	400 - 600	400	143	143	-	-	4	2	20		2,25
01.TAI500.03.00	01.TAI501.03.00	600 - 800	600	179	179	-	-	6	2	20		3,15
01.TAI500.04.00	01.TAI501.04.00	800 - 1000	800	279	279	-	-	6	2	20		3,98
01.TAI500.05.00	01.TAI501.05.00	1000 - 1200	1000	98	-	379	379	9	3	20		4,85
01.TAI500.06.00	01.TAI501.06.00	1200 - 1400	1200	98	-	479	479	9	3	20		5,60
01.TAI500.07.00	01.TAI501.07.00	1400 - 1600	1400	98	-	579	579	9	3	20		17,05
01.TAI500.08.00	01.TAI501.08.00	1600 - 1800	1600	248	248	679	679	11	4	20		19,05
01.TAI500.09.00	01.TAI501.09.00	1800 - 2000	1800	281	281	779	779	11	4	20		21,80
01.TAI500.10.00	01.TAI501.10.00	2000 - 2200	2000	316	316	879	879	14	4	20		23,85

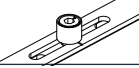
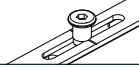

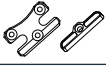

● 30 mm Backset Espagnolettes



		KB	L	A	B	C	D			Qty.		Kg
01.TAI700.01.00	01.TAI701.01.00	300 - 400	300	93	93	-	-	4	2	20		-
01.TAI700.02.00	01.TAI701.02.00	400 - 600	400	143	143	-	-	4	2	20		-
01.TAI700.03.00	01.TAI701.03.00	600 - 800	600	179	179	-	-	6	2	20		-
01.TAI700.04.00	01.TAI701.04.00	800 - 1000	800	279	279	-	-	6	2	20		-
01.TAI700.05.00	01.TAI701.05.00	1000 - 1200	1000	98	-	379	379	9	3	20		-
01.TAI700.06.00	01.TAI701.06.00	1200 - 1400	1200	98	-	479	479	9	3	20		-
01.TAI700.07.00	01.TAI701.07.00	1400 - 1600	1400	98	-	579	579	9	3	20		-
01.TAI700.08.00	01.TAI701.08.00	1600 - 1800	1600	248	248	679	679	11	4	20		-
01.TAI700.09.00	01.TAI701.09.00	1800 - 2000	1800	281	281	779	779	11	4	20		-
01.TAI700.10.00	01.TAI701.10.00	2000 - 2200	2000	316	316	879	879	14	4	20		-

40 mm Backset Espagnolettes

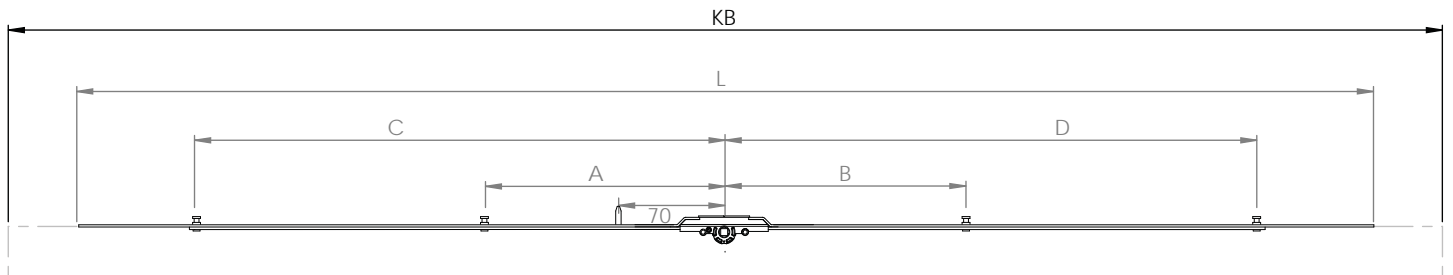


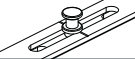




		KB	L	A	B	C	D			Qty. 	Kg
01.TAI600.01.00	01.TAI601.01.00	300 - 400	300	93	93	-	-	4	2	20	1,85
01.TAI600.02.00	01.TAI601.02.00	400 - 600	400	143	143	-	-	4	2	20	2,25
01.TAI600.03.00	01.TAI601.03.00	600 - 800	600	179	179	-	-	6	2	20	3,15
01.TAI600.04.00	01.TAI601.04.00	800 - 1000	800	279	279	-	-	6	2	20	3,98
01.TAI600.05.00	01.TAI601.05.00	1000 - 1200	1000	98	-	379	379	9	3	20	4,85
01.TAI600.06.00	01.TAI601.06.00	1200 - 1400	1200	98	-	479	479	9	3	20	5,60
01.TAI600.07.00	01.TAI601.07.00	1400 - 1600	1400	98	-	579	579	9	3	20	17,05
01.TAI600.08.00	01.TAI601.08.00	1600 - 1800	1600	248	248	679	679	11	4	20	19,05
01.TAI600.09.00	01.TAI601.09.00	1800 - 2000	1800	281	281	779	779	11	4	20	21,80
01.TAI600.10.00	01.TAI601.10.00	2000 - 2200	2000	316	316	879	879	14	4	20	23,85

Turn - Only Systems

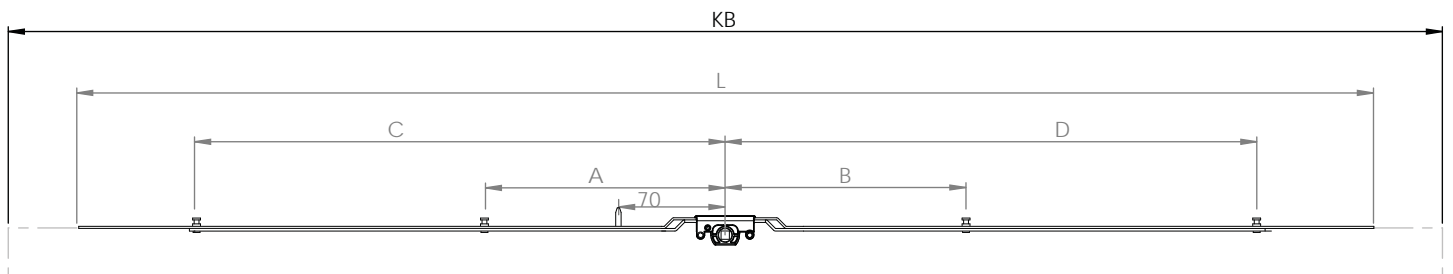
● Espagnolettes

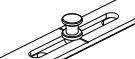
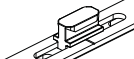



● 7,5 mm Backset Sliding Espagnolettes



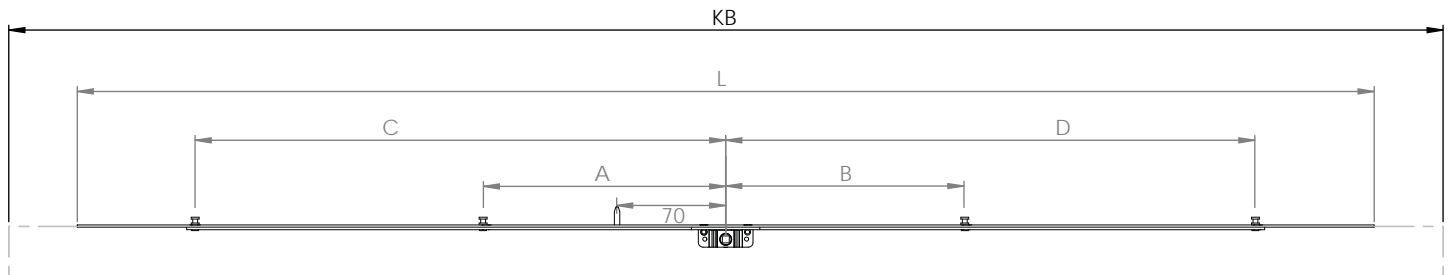
		KB	L	A	B	C	D			Qty. 	Kg
01.BSI205.01.00	01.BSI206.01.00	300 - 400	300	93	93	-	-	4	2	20	-
01.BSI205.02.00	01.BSI206.02.00	400 - 600	400	143	143	-	-	4	2	20	-
01.BSI205.03.00	01.BSI206.03.00	600 - 800	600	179	179	-	-	6	2	20	-
01.BSI205.04.00	01.BSI206.04.00	800 - 1000	800	279	279	-	-	6	2	20	-
01.BSI205.05.00	01.BSI206.05.00	1000 - 1200	1000	98	-	379	379	9	3	20	-
01.BSI205.06.00	01.BSI206.06.00	1200 - 1400	1200	98	-	479	479	9	3	20	-
01.BSI205.07.00	01.BSI206.07.00	1400 - 1600	1400	98	-	579	579	9	3	20	-
01.BSI205.08.00	01.BSI206.08.00	1600 - 1800	1600	248	248	679	679	11	4	20	-
01.BSI205.09.00	01.BSI206.09.00	1800 - 2000	1800	281	281	779	779	11	4	20	-
01.BSI205.10.00	01.BSI206.10.00	2000 - 2200	2000	316	316	879	879	14	4	20	-

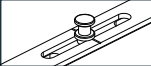
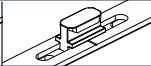



● 7,5 mm Backset Sliding Espagnolettes (ECO)



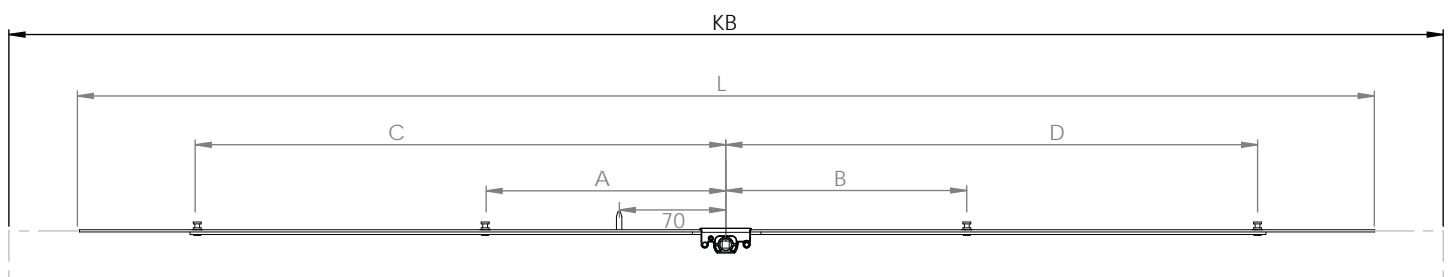
		KB	L	A	B	C	D			Qty. 	Kg
01.BSI203.02.00	01.BSI204.02.00	400 - 600	400	143	143	-	-	4	2	20	-
01.BSI203.03.00	01.BSI204.03.00	600 - 800	600	179	179	-	-	6	2	20	-
01.BSI203.04.00	01.BSI204.04.00	800 - 1000	800	279	279	-	-	6	2	20	-
01.BSI203.05.00	01.BSI204.05.00	1000 - 1200	1000	98	-	379	379	9	3	20	-
01.BSI203.06.00	01.BSI204.06.00	1200 - 1400	1200	98	-	479	479	9	3	20	-
01.BSI203.08.00	01.BSI204.08.00	1400 - 1600	1400	98	-	579	579	9	3	20	-
01.BSI203.09.00	01.BSI204.09.00	1600 - 1800	1600	248	248	679	679	11	4	20	-
01.BSI203.09.00	01.BSI204.09.00	1800 - 2000	1800	281	281	779	779	11	4	20	-
01.BSI203.10.00	01.BSI204.10.00	2000 - 2200	2000	316	316	879	879	14	4	20	-

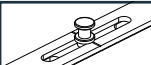
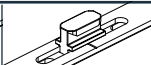

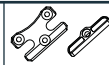

15 mm Backset Steel Lock Sliding Espagnolettes ●



		KB	L	A	B	C	D			Qty. 	Kg
01.BSI212.01.00	01.BSI213.01.00	300 - 400	300	93	93	-	-	4	2	20	2,88
01.BSI212.02.00	01.BSI213.02.00	400 - 600	400	143	143	-	-	4	2	20	3,78
01.BSI212.03.00	01.BSI213.03.00	600 - 800	600	179	179	-	-	6	2	20	5,40
01.BSI212.04.00	01.BSI213.04.00	800 - 1000	800	279	279	-	-	6	2	20	7,20
01.BSI212.05.00	01.BSI213.05.00	1000 - 1200	1000	98	-	379	379	9	3	20	8,75
01.BSI212.06.00	01.BSI213.06.00	1200 - 1400	1200	98	-	479	479	9	3	20	10,52
01.BSI212.07.00	01.BSI213.07.00	1400 - 1600	1400	98	-	579	579	9	3	20	12,35
01.BSI212.08.00	01.BSI213.08.00	1600 - 1800	1600	248	248	679	679	11	4	20	14,15
01.BSI212.09.00	01.BSI213.09.00	1800 - 2000	1800	281	281	779	779	11	4	20	15,85
01.BSI212.10.00	01.BSI213.10.00	2000 - 2200	2000	316	316	879	879	14	4	20	17,90

15 mm Backset Zinc Lock Sliding Espagnolettes ●

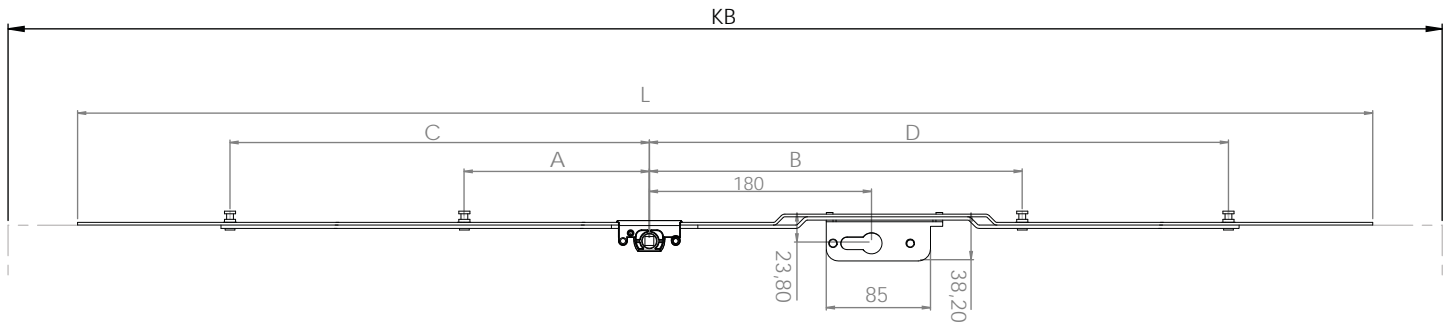


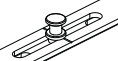
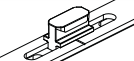



		KB	L	A	B	C	D			Qty. 	Kg
01.BSI202.01.00	01.BSI203.01.00	300 - 400	300	93	93	-	-	4	2	20	3,08
01.BSI202.02.00	01.BSI203.02.00	400 - 600	400	143	143	-	-	4	2	20	4,05
01.BSI202.03.00	01.BSI203.03.00	600 - 800	600	179	179	-	-	6	2	20	5,70
01.BSI202.04.00	01.BSI203.04.00	800 - 1000	800	279	279	-	-	6	2	20	7,52
01.BSI202.05.00	01.BSI203.05.00	1000 - 1200	1000	98	-	379	379	9	3	20	8,60
01.BSI202.06.00	01.BSI203.06.00	1200 - 1400	1200	98	-	479	479	9	3	20	10,56
01.BSI202.07.00	01.BSI203.07.00	1400 - 1600	1400	98	-	579	579	9	3	20	12,75
01.BSI202.08.00	01.BSI203.08.00	1600 - 1800	1600	248	248	679	679	11	4	20	14,40
01.BSI202.09.00	01.BSI203.09.00	1800 - 2000	1800	281	281	779	779	11	4	20	16,10
01.BSI202.10.00	01.BSI203.10.00	2000 - 2200	2000	316	316	879	879	14	4	20	18,3

Turn - Only Systems

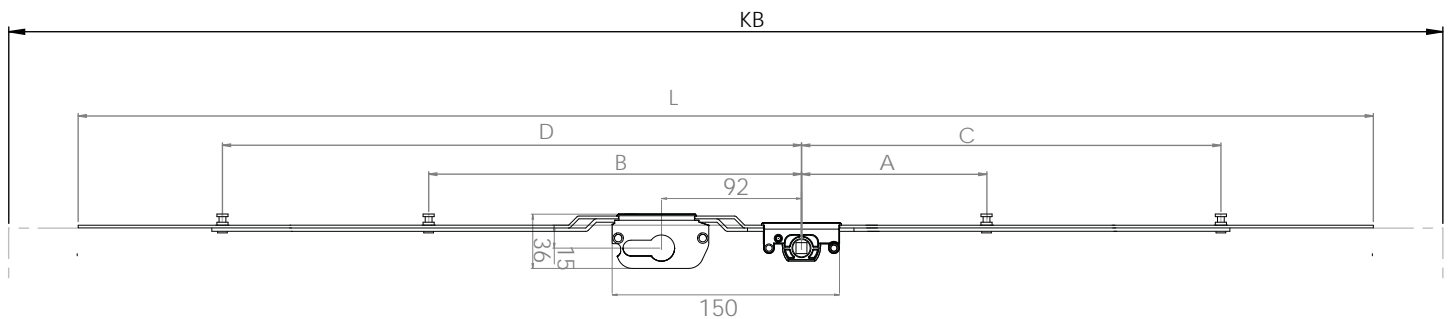
● Espagnolettes






● 15 mm Backset Zinc Lock Sliding Espagnolettes



		KB	L	A	B	C	D			Qty. 	Kg
01.BSI222.08.00	01.BSI223.08.00	1600 - 1800	1600	248	341	679	679	11	4	20	-
01.BSI222.09.00	01.BSI223.09.00	1800 - 2000	1800	281	341	779	779	11	4	20	-
01.BSI222.10.00	01.BSI223.10.00	2000 - 2200	2000	316	341	879	879	14	4	20	-

● 7,5 mm Backset Zinc Lock Sliding Espagnolettes

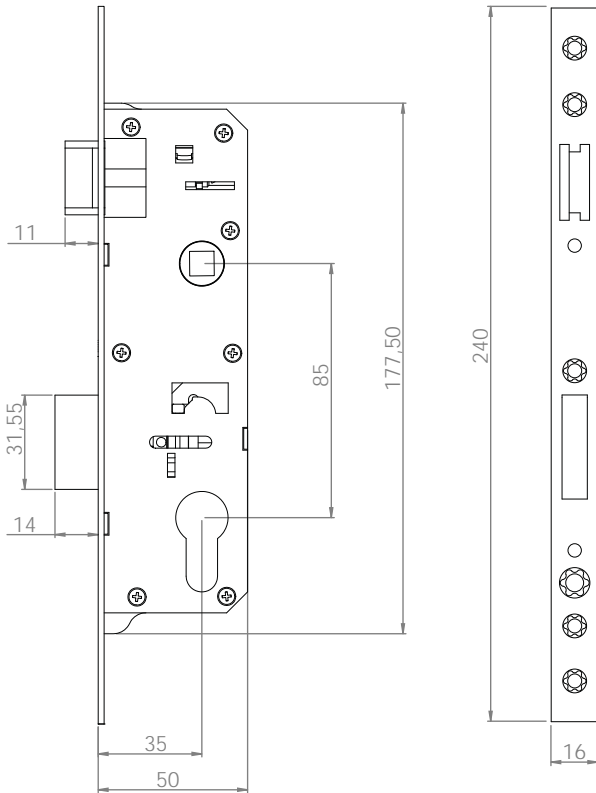




		KB	L	A	B	C	D			Qty. 	Kg
01.BSI224.08.00	01.BSI225.08.00	1600 - 1800	1600	248	341	679	679	11	4	20	-
01.BSI224.09.00	01.BSI225.09.00	1800 - 2000	1800	281	341	779	779	11	4	20	-
01.BSI224.10.00	01.BSI225.10.00	2000 - 2200	2000	316	341	879	879	14	4	20	-

Mortice Locks

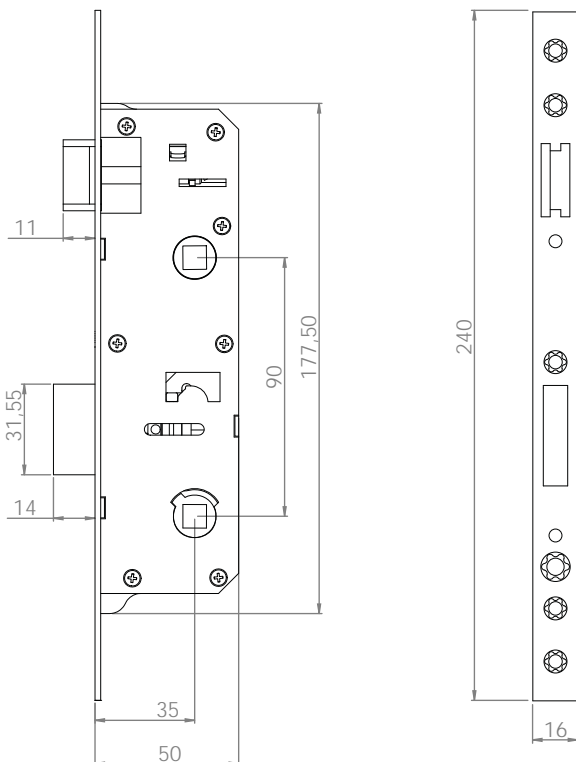
- Plastic Lock Case - Metal Cover Locks



- PZ: 85 mm Backset: 35 mm (Cylindrical)



	Qty. 	Kg
01.KIL001.00.00	40	11,05



- PZ: 90 mm Backset: 35 mm (WC / Bathroom)

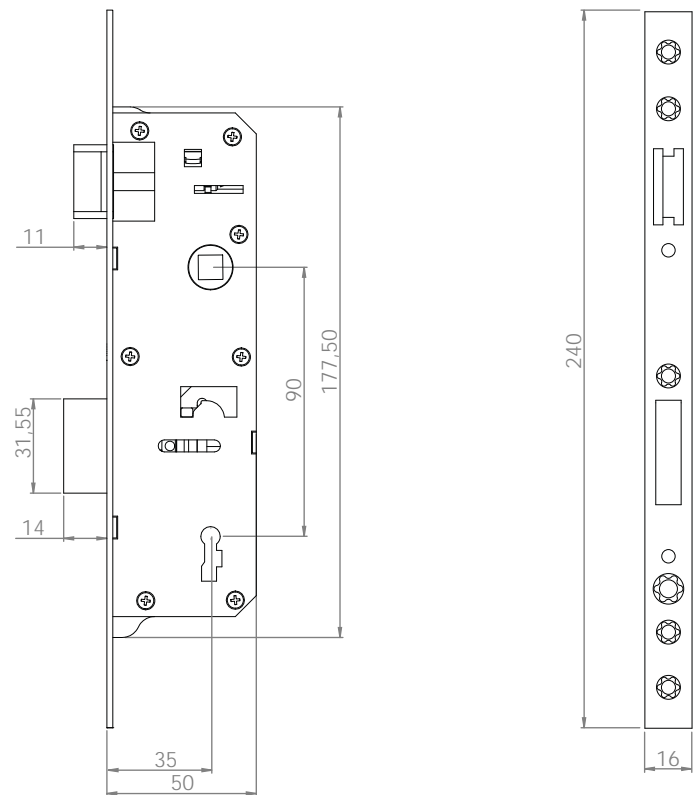


	Qty. 	Kg
01.KIL002.00.00	40	11,70



Plastic Lock Case - Metal Cover Locks ●

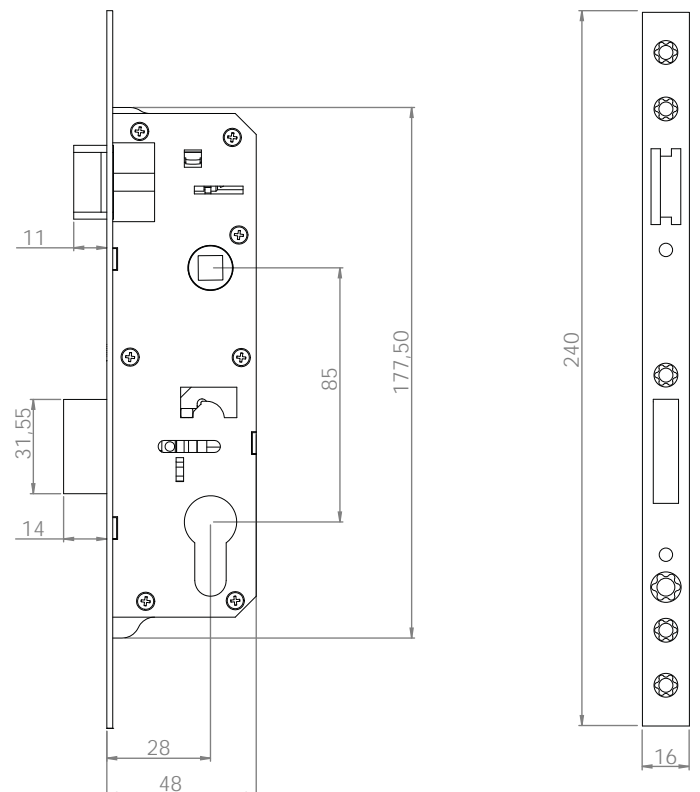
PZ: 90 mm Backset: 35 mm (Room) ●

	Qty. 	Kg
01.KIL003.00.00	40	14,30



PZ: 85 mm Backset: 28 mm (Cylindrical) ●

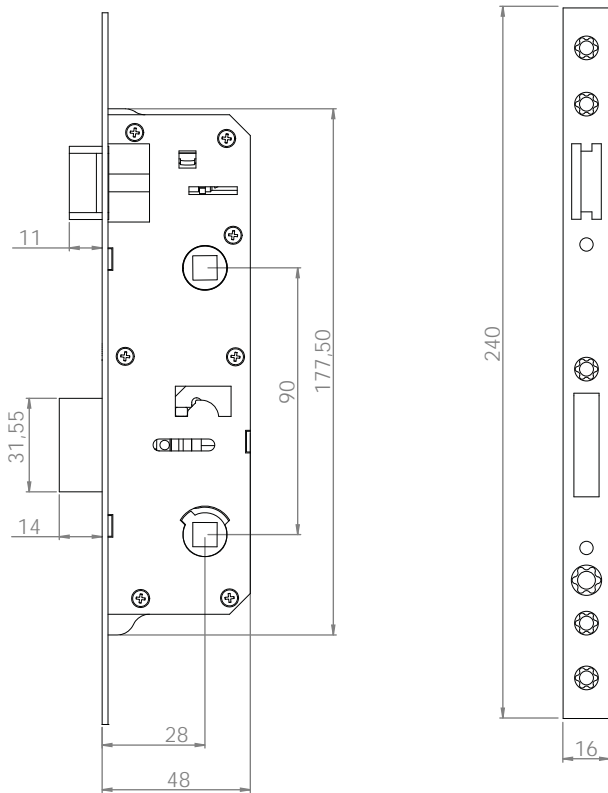
	Qty. 	Kg
01.KIL004.00.00	40	13,00





Mortice Locks

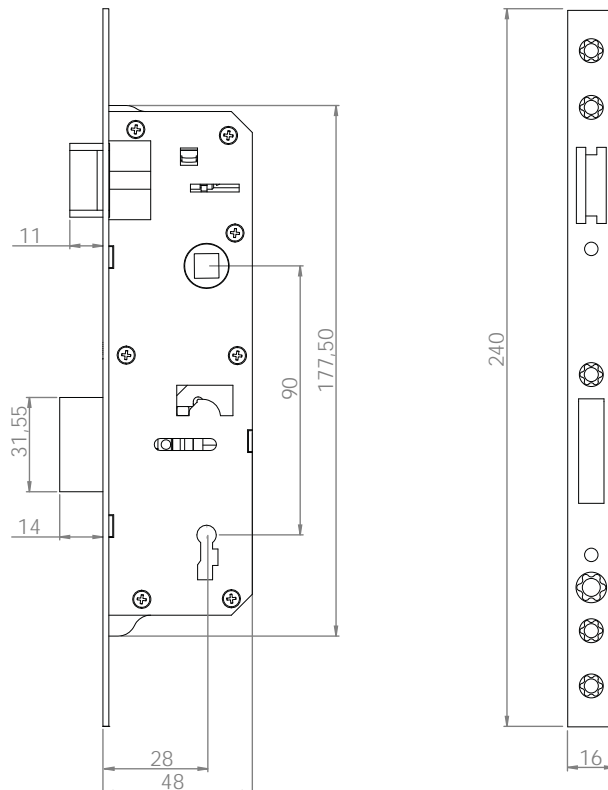
● Plastic Lock Case - Metal Cover Locks



● PZ: 90 mm Backset: 28 mm (WC / Bathroom)



	Qty. 	Kg
01.KIL005.00.00	40	12,98



● PZ: 90 mm Backset: 28 mm (Room)

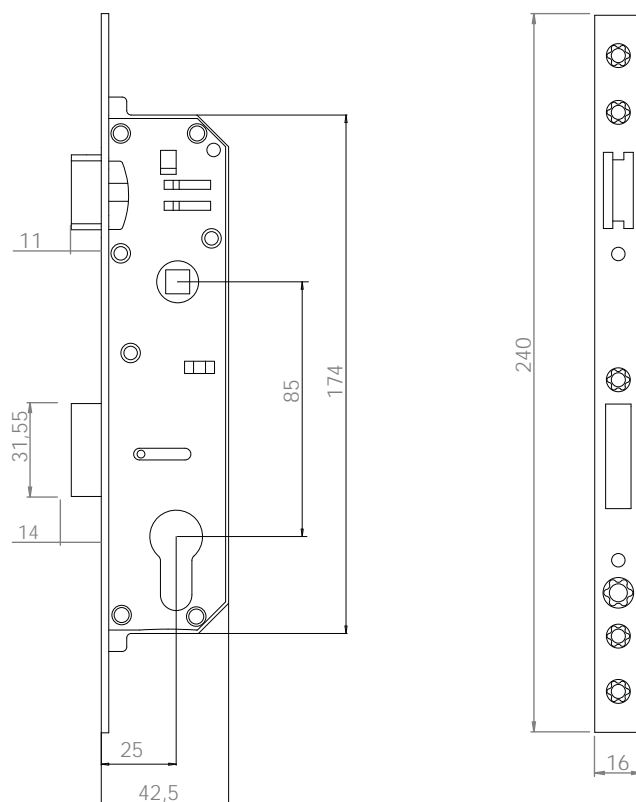


	Qty. 	Kg
01.KIL006.00.00	40	13,70



Plastic Lock Case - Metal Cover Locks ●

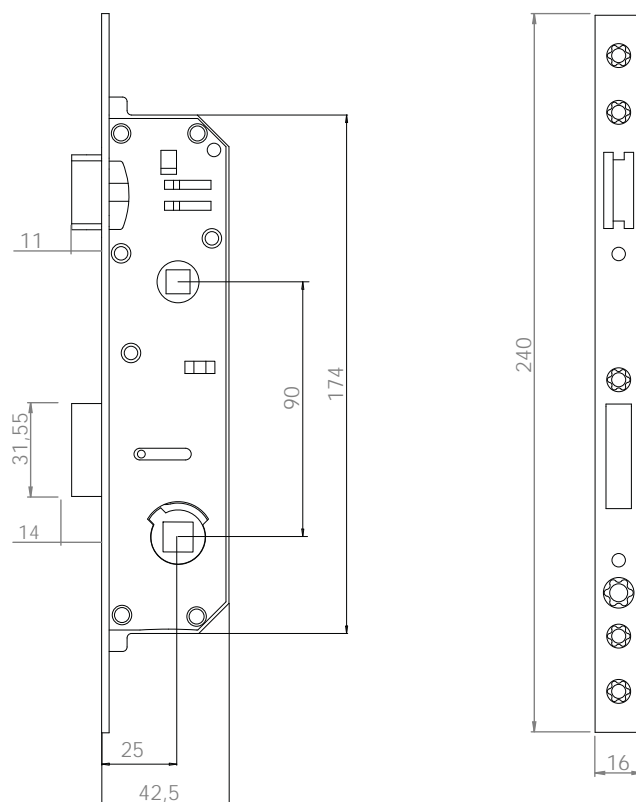
PZ: 85 mm Backset: 25 mm (Cylindrical) ●

	Qty. 	Kg
01.KIL008.00.00	40	10,67





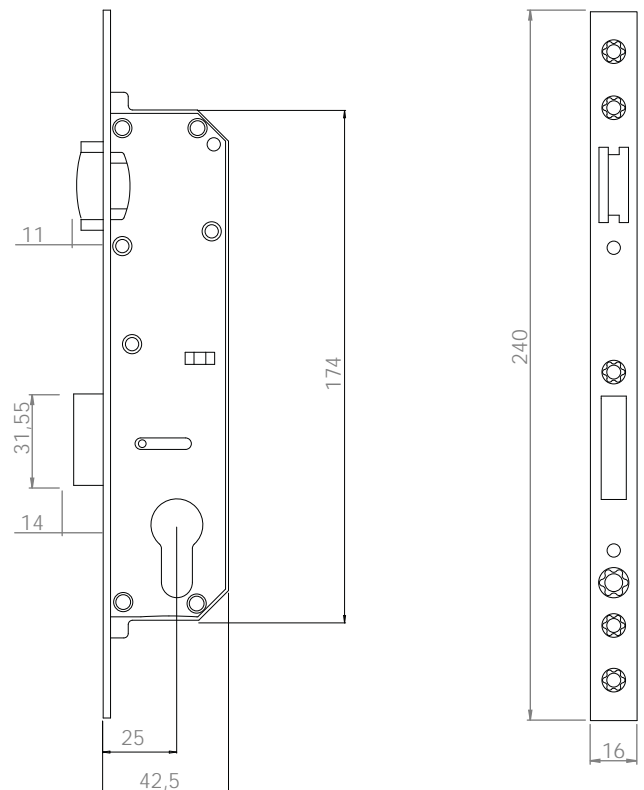
PZ: 90 mm Backset: 25 mm (WC / Bathroom) ●

	Qty. 	Kg
01.KIL016.00.00	40	10,50





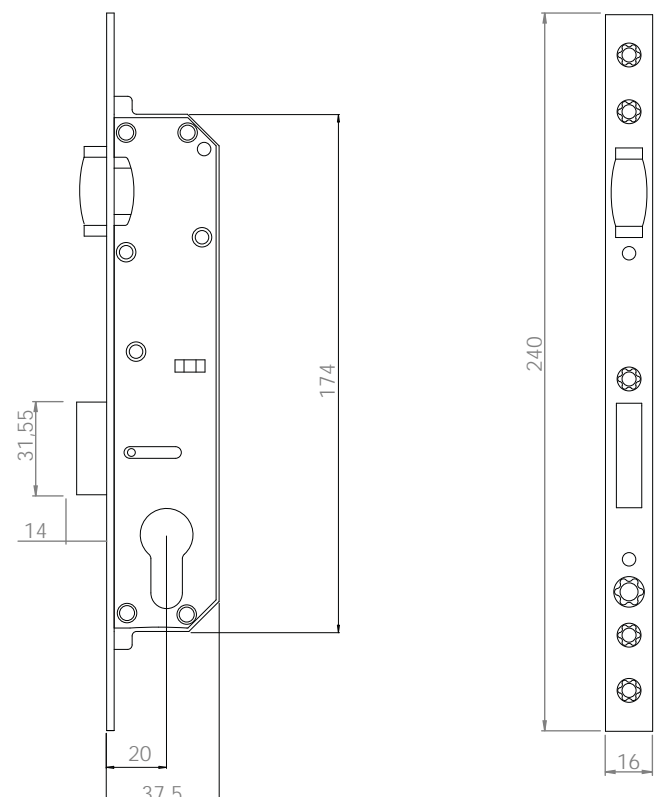
Backset: 25 mm (Roller Latch)

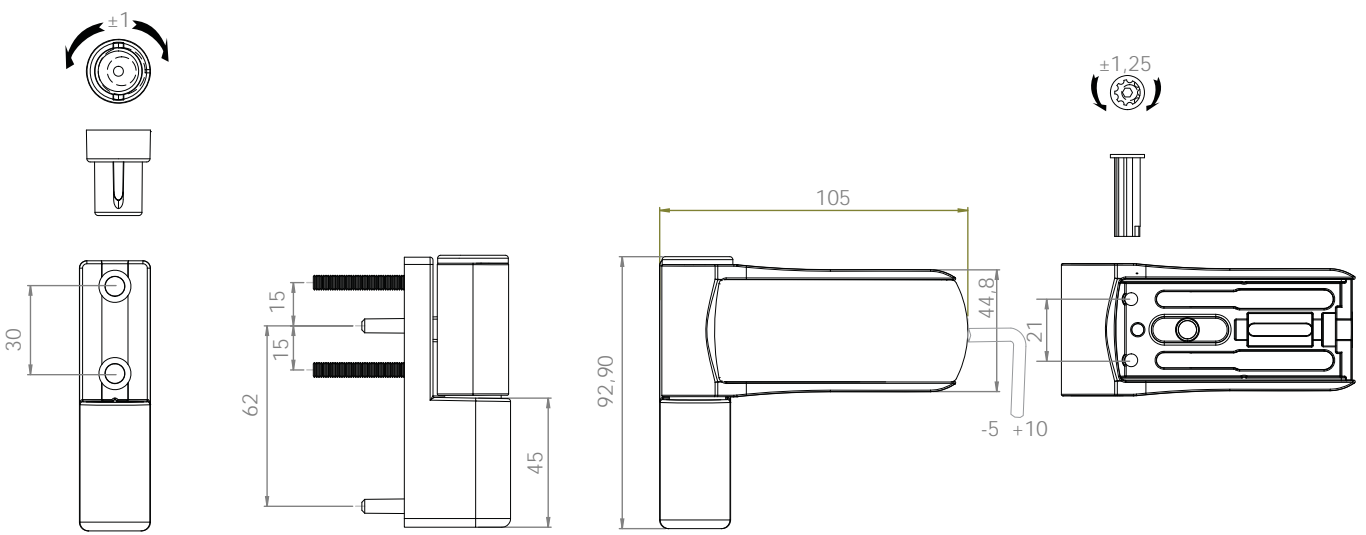
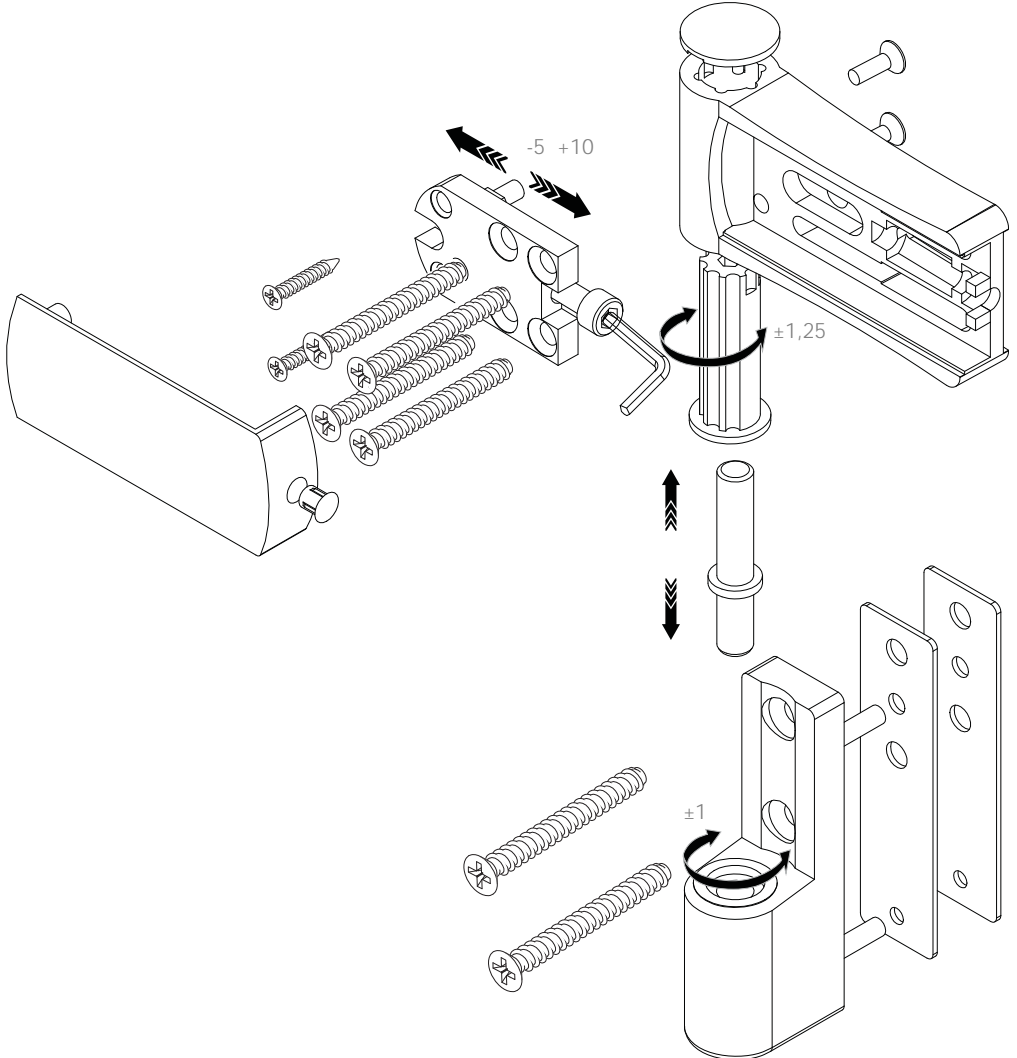
	Qty. 	Kg
01.KIL007.00.00	40	11,55



Backset: 20 mm (Roller Latch)

	Qty. 	Kg
01.KIL007.00.00	40	10,85





Strikers

- Strikers



00.IZK001.00.00
Pakpen



00.IZK002.00.00
Fratpen Single



00.IZK002.00.00 ECO
Fratpen Single Eco



00.IZK003.00.00
Fratpen Double



00.IZK004.00.00
Pimaş 6000



00.IZK004.00.00 ECO
Pimaş 6000 Eco



00.IZK005.00.00
Pimaş 4500



00.IZK005.00.00 ECO
Pimaş 4500 Eco



00.IZK006.00.00
Asaş Pen Window Double



00.IZK007.00.00
Asaş Pen Window Single



00.IZK008.00.00
Asaşpen Door



00.IZK009.00.00
Asaş Pen Eco 5200



00.IZK010.00.00
Asaş Pen 6040



00.IZK011.00.00
Akapen Astra



00.IZK012.00.00
Akapen Vega Double



00.IZK013.00.00
Europen



00.IZK013.00.00
Everest



00.IZK015.00.00
Filpen



00.IZK016.00.00
Kompen Door



00.IZK018.00.00
BR Yıldız



00.IZK020.00.00
Pimaş 6000 Double Hole



00.IZK020.00.00 ECO
Pimaş 6000 Double Hole ECO



00.IZK021.00.00
Pimaş 4500 Double Hole



00.IZK021.00.00 ECO
Pimaş 4500 Double Hole Eco



00.IZK022.00.00
Alfapen Armada



00.IZK023.00.00
Double Sash Striker. ST34



00.IZK024.00.00
Plastline



00.IZK026.00.00
Kompen Termoline



00.IZK029.00.00
Aplas



00.IZK032.00.00
Egepen Max Zendow



00.IZK037.00.00
Pakpen Global



00.IZK040.00.00
Pakpen Global New



00.IZK041.00.00
Aluminium Profile Striker 13Axis



00.IZK042.00.00
Aluminium Profile Striker 9 Axis



00.TSA013.00.00
Metal Sliding Striker
Of Espag. (Universal)



00.TSA014.00.00
Zinc Striker For Opening
Of Espag. (Adopen)



00.TSA020.00.00
Metal Sliding Striker
Of Espag.(Universal)
Plastic



00.TSA032.00.00
Metal Sliding Striker
Of Espag.(Universal)
With Claw



00.TSA035.00.00
Zinc Striker For Opening
Of Espag. (Firatpen) New

Mullion Connectors

- Mullion Connectors



Steel Mullion Connectors

- 22 MM = 00.SOB130.00.00
- 24 MM = 00.SOB129.00.00
- 26 MM = 00.SOB128.00.00
- 28 MM = 00.SOB127.00.00
- 30 MM = 00.SOB126.00.00
- 32 MM = 00.SOB125.00.00
- 34 MM = 00.SOB117.00.00
- 36 MM = 00.SOB118.00.00
- 38 MM = 00.SOB120.00.00



00.ZOB114.00.00
Pakpen Eko 60



00.ZOB115.00.00
Pakpen 60-70 Integral



00.ZOB001.00.00
Pimaş General



00.ZOB005.00.00
Teknoplast Startec



00.ZOB007.00.00
Taurus Best



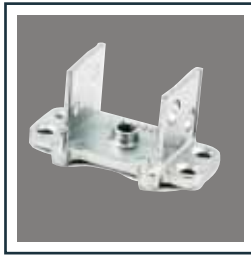
00.ZOB009.00.00
Asaşpen 5200 Eco



00.ZOB010.00.00
Shönline Linex 60-70



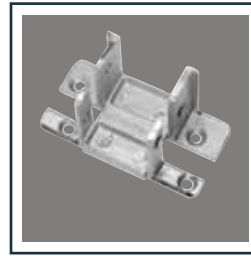
00.ZOB013.00.00
Euroline



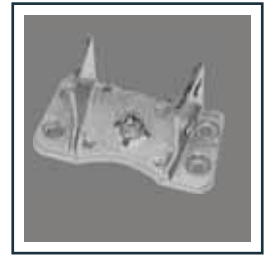
00.ZOB014.00.00
Fratpen 6060



00.ZOB015.00.00
Teraplast 6 Section



00.ZOB016.00.00
Kompen200 Superline



00.ZOB017.00.00
Windoline



00.ZOB020.00.00
Asaşpen 6022



00.ZOB021.00.00
Erpen Smarline 62



00.ZOB022.00.00
Flashpen



00.ZOB023.00.00
Pentech



00.ZOB024.00.00
Taurus Silver



00.ZOB026.00.00
Worldpen



00.ZOB027.00.00
Schönline 6000



00.ZOB028.00.00
Plastline



00.ZOB029.00.00
Fratpen 7060



00.ZOB030.00.00
Vinka 6000



00.ZOB031.00.00
Erpen Extraline 54



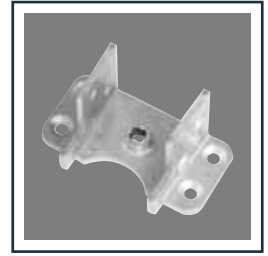
00.ZOB032.00.00
Kompen 600 Termoline



00.ZOB033.00.00
Alfapen Armada



00.ZOB034.00.00
Saraypen Dar



00.ZOB035.00.00
Polipen 603 Dar



00.ZOB036.00.00
Polipen 603 Wide



00.ZOB037.00.00
Vivaplast



00.ZOB038.00.00
Pakpen Global Narrow



00.ZOB039.00.00
Pakpen Global Wide



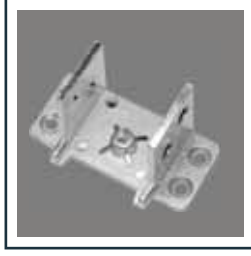
00.ZOB040.00.00
Proline 6000

Mullion Connectors

● Mullion Connectors



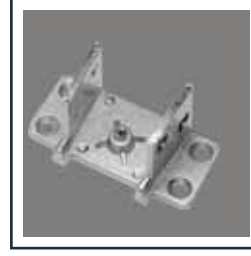
00.ZOB041.00.00
Tecnoplast Megatec



00.ZOB042.00.00
Keban Hazal



00.ZOB043.00.00
Erpen Sembol



00.ZOB044.00.00
Erpen Trend 62



00.ZOB045.00.00
Europen 7000



00.ZOB046.00.00
Tecnoplast Yeni Supertec



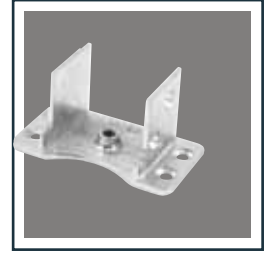
00.ZOB047.00.00
Saraypen Wide



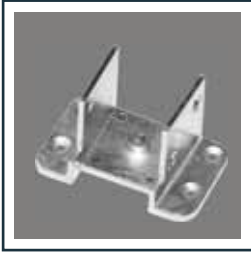
00.ZOB051.00.00
Egepen Zendow



00.ZOB053.00.00
Enderpen Masterline



00.ZOB054.00.00
Enderpen Vizyonline



00.ZOB055.00.00
Erpen Combilline 72



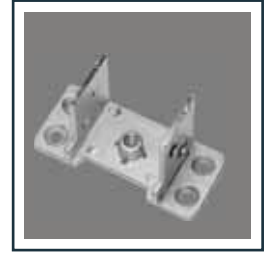
00.ZOB056.00.00
Europen Elit



00.ZOB061.00.00
Natural 6000 Trova



00.ZOB065.00.00
Pensa Bonus



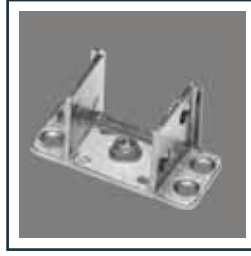
00.ZOB072.00.00
Forza 5200 Eco



00.ZOB075.00.00
Firatpen 7060 Eco



00.ZOB076.00.00
Egepen Max



00.ZOB077.00.00
Artwin



00.ZOB078.00.00
Winapex 6004



00.ZOB079.00.00
Uniplast 6000-7000



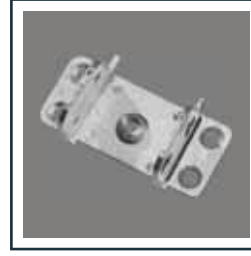
00.ZOB081.00.00
Uniplast Ecolim



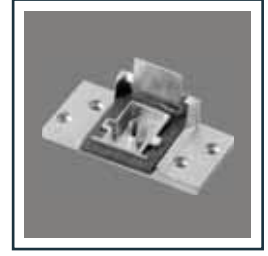
00.ZOB082.00.00
Karpen



00.ZOB083.00.00
Pakpen Rival



00.ZOB085.00.00
WinTurk



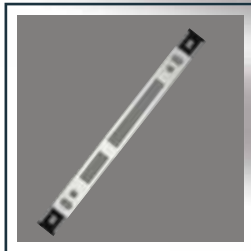
00.ZOB086.00.00
Vivaplast

Locking Plates

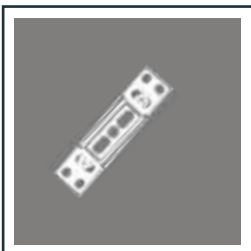
- Locking Plates



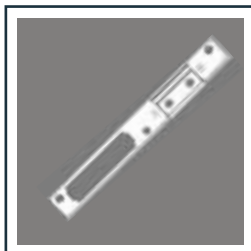
00.TKK001.00.00
Universal Adjustable Latch
And Deadbolt Plate
Zinc



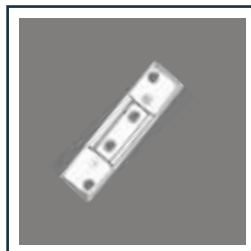
01.AAA021.00.00
Adjustable Latch & Deadbolt
Plate For Euro Groove
Aluminium Profiles



00.TKK002.00.00
Adjustable Latch Plate
Zinc



00.TKK010.00.00
Adjustable Latch And
Deadbolt Plate
Iron Sheet



00.TKK009.00.00
Adjustable Latch Plate
Iron Sheet



00.TKK011.00.00
Universal Adjustable Latch
And Deadbolt Plate
Iron Sheet / Plastic Body



00.TKK012.00.00
Universal Adjustable Latch
And Deadbolt Plate
Zinc / Plastic Body



00.VVV005.00.01
Transom Scissors 13cm
Iron Sheet



00.VVV006.00.01
Transom Scissors 22cm
Iron Sheet



00.VVV003.00.01
Transom Locked
Aluminium



00.PLS021.00.01
Adjustable Transom Lock
Plastic



00.VVV007.00.00
Transom Scissors
Steel



00.VVV0087.00.00
Folding Transom Scissors 13cm
Steel



00.VVV004.00.00
Balcony Door Fastener



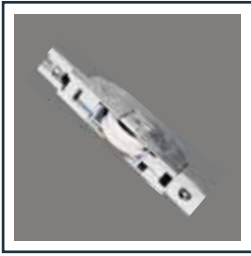
00.VVV009.00.00
Balcony Door Fastener
Plastic Body
9 Axis



00.VVV010.00.00
Balcony Door Fastener
Plastic Body
13 Axis

Sliding Accessories

● Sliding Accessories



00.TSA001.00.00
Sliding Roller
Big
Polyamide



00.TSA008.00.00
Sliding Roller
Big
Brass



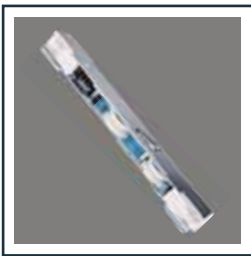
00.TSA003.00.00 Pimaş
Sliding Roller



00.TSA038.00.00 Egepen
Sliding Roller
Double Wheels Polyamide
Polyamide



00.TSA006.00.00
Sliding Roller
Small Single Wheel Brass



00.TSA002.00.00
Sliding Roller
Double Wheels Polyamide
Iron Sheet



00.TSA019.00.00
Sliding Roller
Double Wheels
Iron Sheet



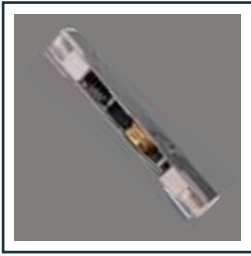
00.TSA028.00.00
Sliding Roller
Double Wheels Brass Import
Iron Sheet



00.TSA017.00.00
Sliding Roller
Single Wheels Polyamide
Iron Sheet



00.TSA018.00.00
Sliding Roller
Single Wheels
Iron Sheet



00.TSA029.00.00
Sliding Roller
Single Wheels Brass Import
Iron Sheet



00.TSA026.00.00
Sliding Roller
Adjustable Double Wheels



00.TSA034.00.00
Sliding Roller
Adjustable Single Wheels



00.TSA037.00.00
Double Door Sliding
Left-Right
Iron Sheet



00.TSA039.00.00
Double Window Sliding
Up - Down
Plastic Body



00.TSA009.00.00
Double Door Sliding
Up - Down
Iron Sheet



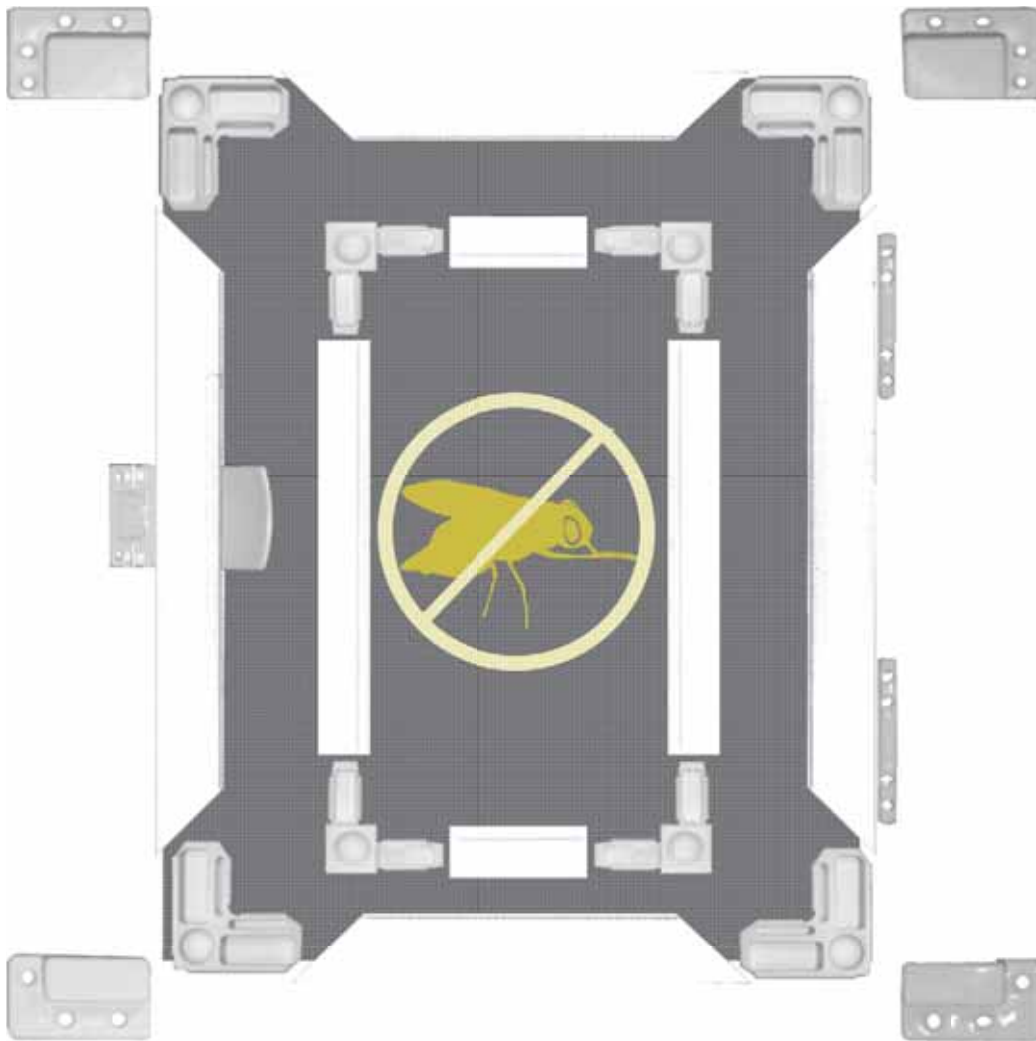
00.TSA010.00.00
Double Window Sliding
Up - Down
Iron Sheet



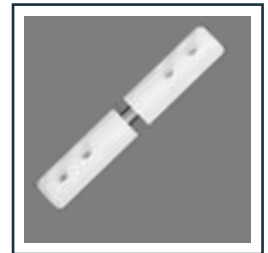
00.TSA011.00.00
Double Window Sliding
Left-Right
Zinc



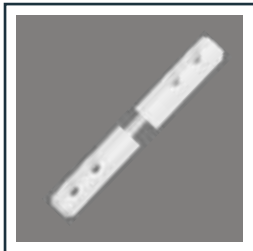
00.TSA012.00.00
Double Door Sliding
Left-Right
Steel



00.ASG001.00.01



00.ASG002.00.01



00.ASG003.00.01



00.ASG004.00.01



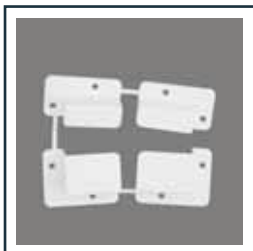
00.ASG005.00.01



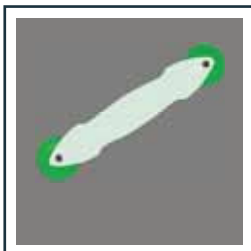
00.ASG006.00.01



00.ASG007.00.01



00.ASG008.00.01



00.ASG024.00.01



00.ASG029.00.01



00.ASG044.00.01 / 10X20
00.ASG030.00.01 / 10X25



00.ASG031.00.01

Screw Group

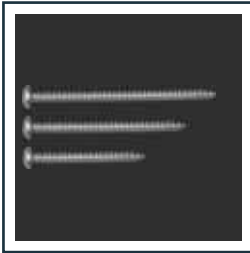
• Screw Group



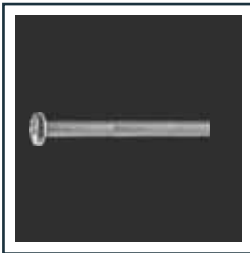
00.AKV475.02.00 / 7,5 x 80
00.AKV475.03.00 / 7,5 x 100
00.AKV475.04.00 / 7,5 x 120
00.AKV475.05.00 / 7,5 x 150
00.AKV475.06.00 / 7,5 x 180
Montage Screw Buldex



00.AKV560.01.00 / 6 x 60
00.AKV560.02.00 / 6 x 80
00.AKV560.03.00 / 6 x 100
YHB Rare Thread



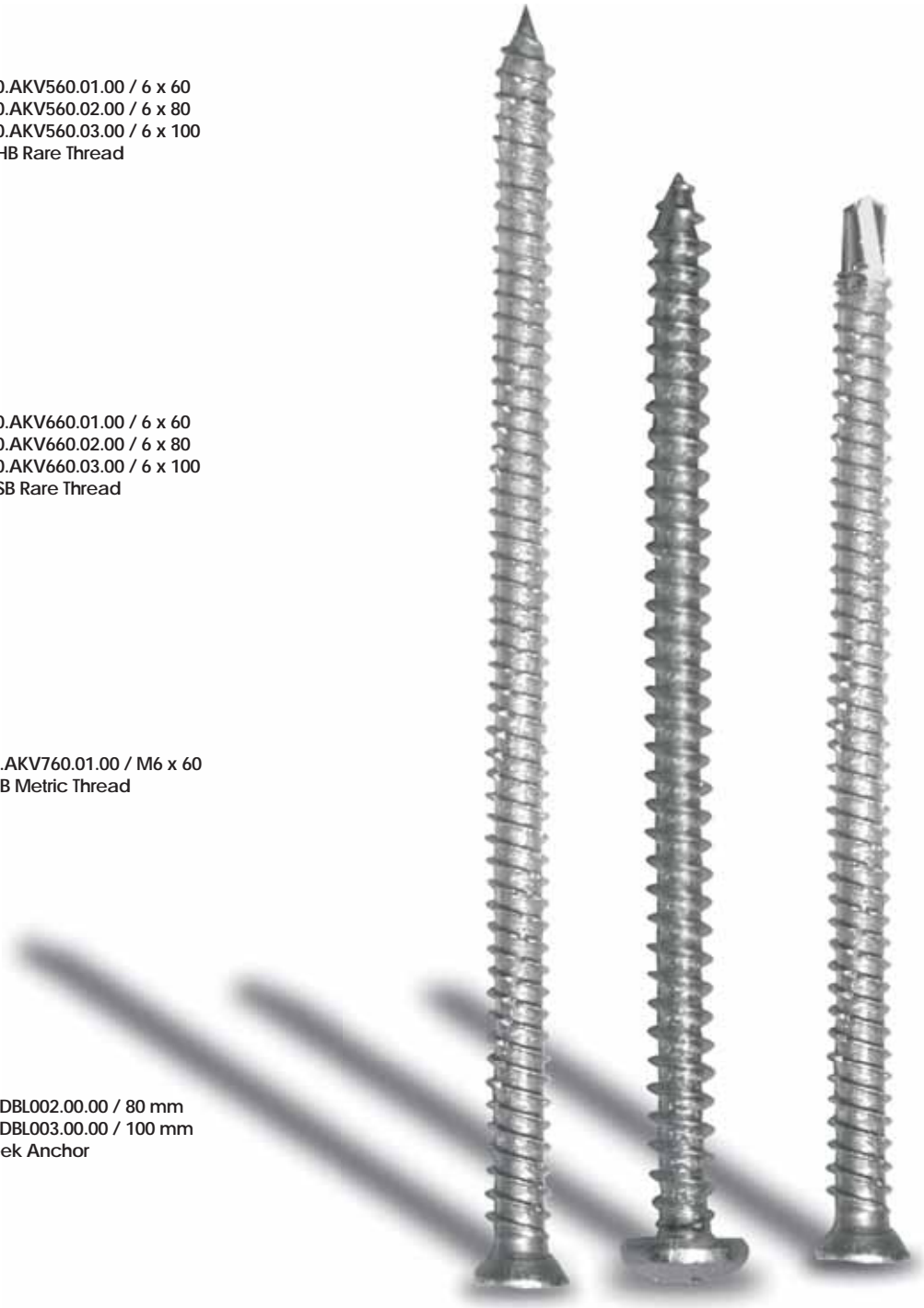
00.AKV660.01.00 / 6 x 60
00.AKV660.02.00 / 6 x 80
00.AKV660.03.00 / 6 x 100
YSB Rare Thread



00.AKV760.01.00 / M6 x 60
YSB Metric Thread



00.DBL002.00.00 / 80 mm
00.DBL003.00.00 / 100 mm
Steek Anchor





00.IZO001.00.00



00.IZO002.00.00



00.IZO003.00.00



00.THI001.00.00 Thiokol -A
00.THI002.00.00 Thiokol -B



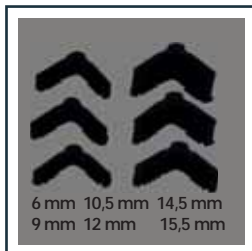
00.TPS010.00.00
Thin Glass Wedge



00.TPS013.00.00
Middle Glass Wedge



00.TPS015.00.00
Glass Wedge / Breakable



00.TCM004.01.00



00.TCM003.01.00



00.TCM020.00.00
Silikagel



00.CNT002.00.00
Gasket Scissors

Other Accessories

- Other Accessories



AIRVENT

00.MNF001.00.00	35 x 40	00.MNF008.00.00	55 x 64
00.MNF002.00.00	40 x 44	00.MNF009.00.00	49 x 68
00.MNF003.00.00	40 x 52	00.MNF010.00.00	58 x 60
00.MNF004.00.00	45 x 48	00.MNF011.00.00	28 x 28
00.MNF005.00.00	45 x 56	00.MNF012.00.00	55 x 56
00.MNF006.00.00	49 x 52	00.MNF013.00.00	30 x 50
00.MNF007.00.00	45 x 64	00.MNF014.00.00	50 x 30



00.TPS020.00.00 / 24 mm
Adjustable Glass Wedge



0.TPS019.00.00 / 18 mm
Adjustable Glass Wedge



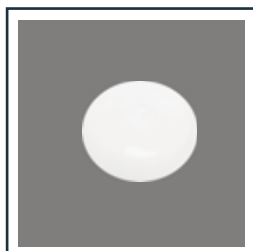
00.TPS018.00.00
Plastic Anchor 8mm



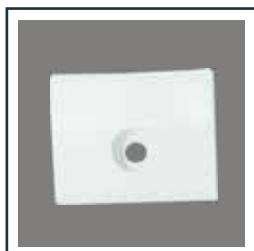
00.TPS016.00.01
Assembly Cover 12mm



00.TPS011.00.01
Drainage Cover



00.TPS012.00.01
Buldex Screw Cover



00.TPS017.00.01
Sash Lifer Check



Retouch Marker



00.TFL001.00.00
Teflon Stickable



00.TFL002.00.00
Teflon Non-Stickable

Aluminium Door and Window Accessories

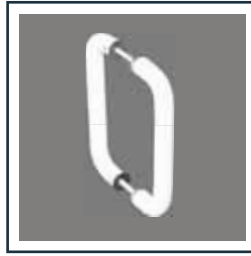
Aluminium Door and Window Accessories



Code	Ø	A
00.AAK100.00.01	25	200
00.AAK101.00.01	25	300
00.AAK102.00.01	25	400
00.AAK104.00.01	30	300
00.AAK105.00.01	30	400



Code	Ø	A
00.AAK200.00.01	25	200
00.AAK201.00.01	25	300
00.AAK203.00.01	30	300



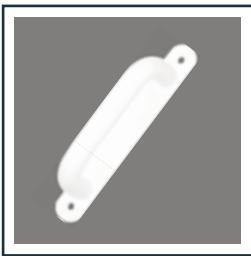
Code	Ø	A
00.AAK300.00.01	25	200
00.AAK301.00.01	30	200



00.AAK402.00.01



00.AAK403.00.01



00.AAK412.00.01



00.AAK400.00.01



00.AAK401.00.01



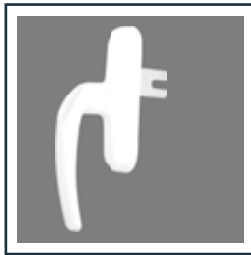
00.AAK404.00.01



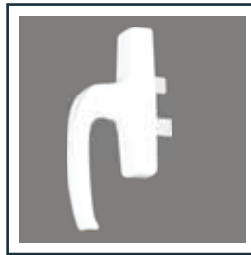
00.AAK405.00.01



00.AAK406.00.01



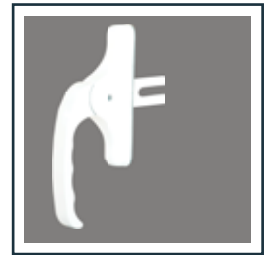
00.AAK407.00.01



00.AAK408.00.01



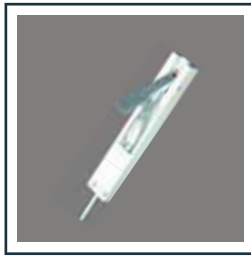
00.AAK409.00.01



00.AAK410.00.01



00.AAK411.00.01



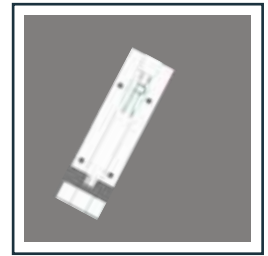
00.AAK500.00.01



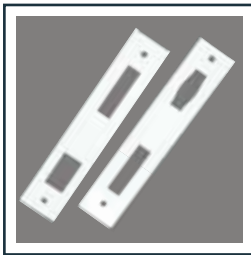
00.AAK501.00.01



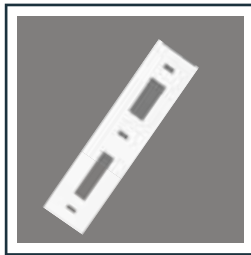
00.AAK502.00.01



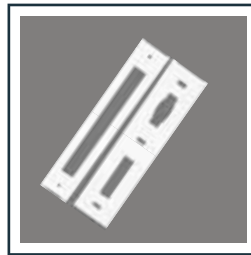
00.AAK503.00.01



00.AAK600.00.01
00.AAK601.00.01



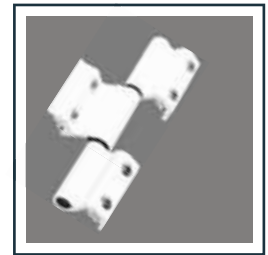
00.AAK602.00.01



00.AAK603.00.01



00.AAK704.00.01



00.AAK705.00.01



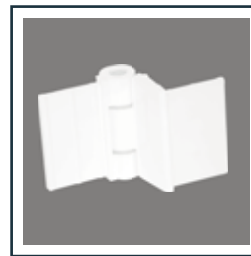
00.AAK700.00.01



00.AAK701.00.01



00.AAK702.00.01



00.AAK708.00.01



00.AAK706.00.01



00.AAK800.00.01



00.AAK801.00.01



00.AAK802.00.01



00.AAK803.00.01



00.AAK900.00.01



00.AAK904.00.01



00.AAK901.00.01



00.AAK905.00.01



00.AAK902.00.01



00.AAK903.00.01